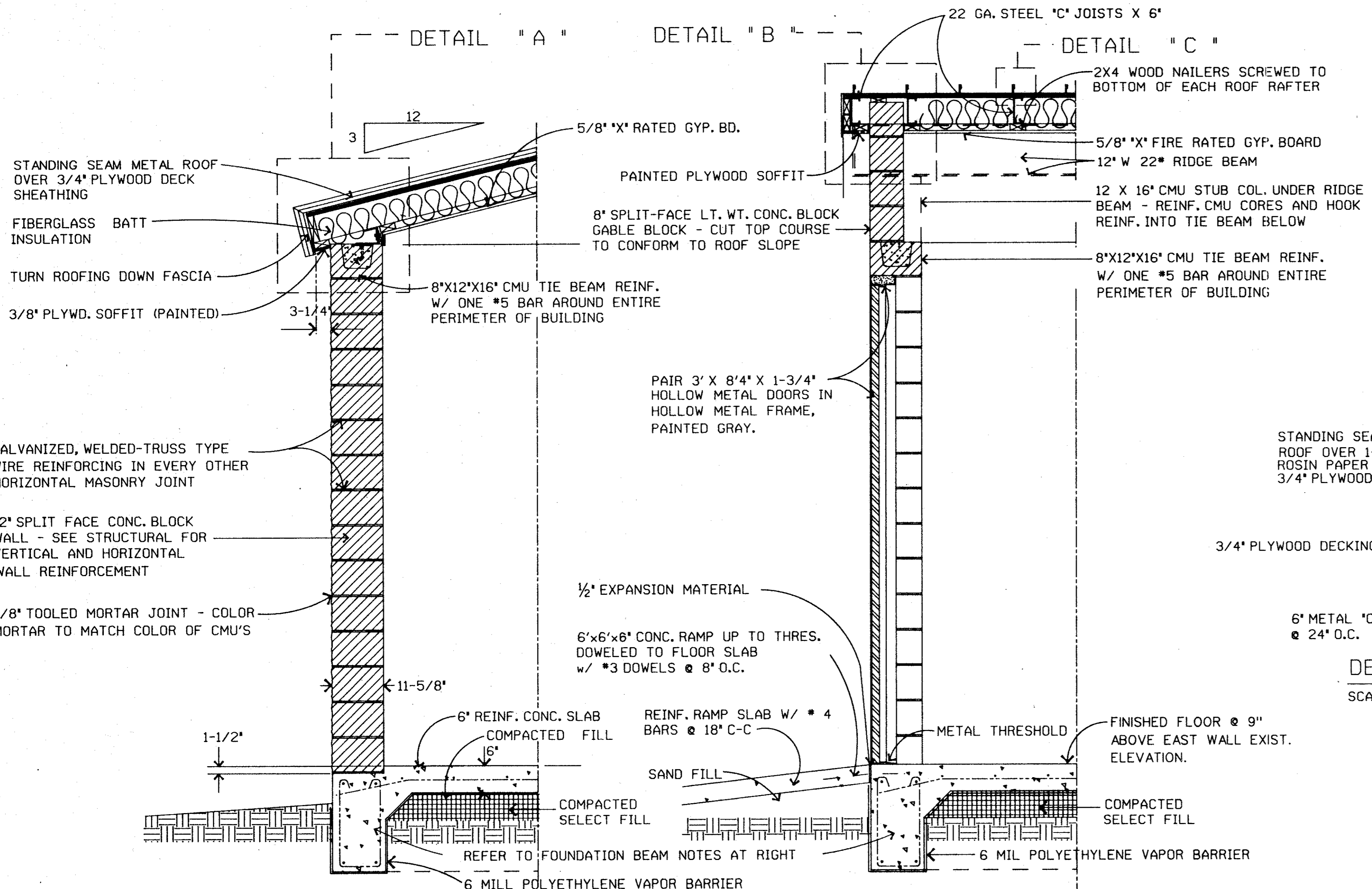


Copyright © PSI Engineers, Inc., 1992. All Rights Reserved.

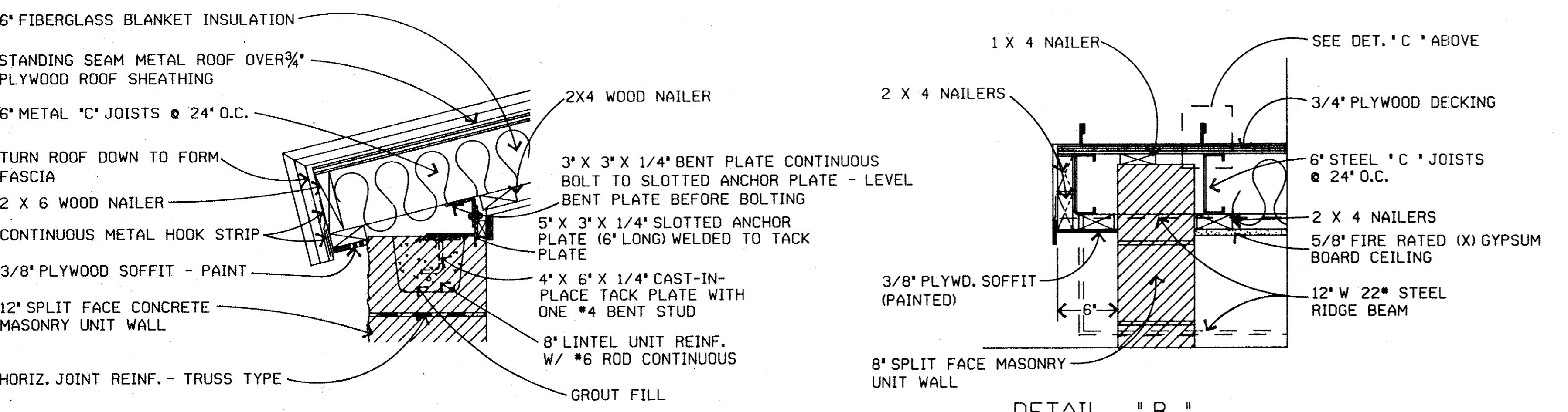


SECTION "A" - SIDE WALL

SCALE: 3/4" = 1'

SECTION "B" - END WALL

SCALE: 3/4" = 1'

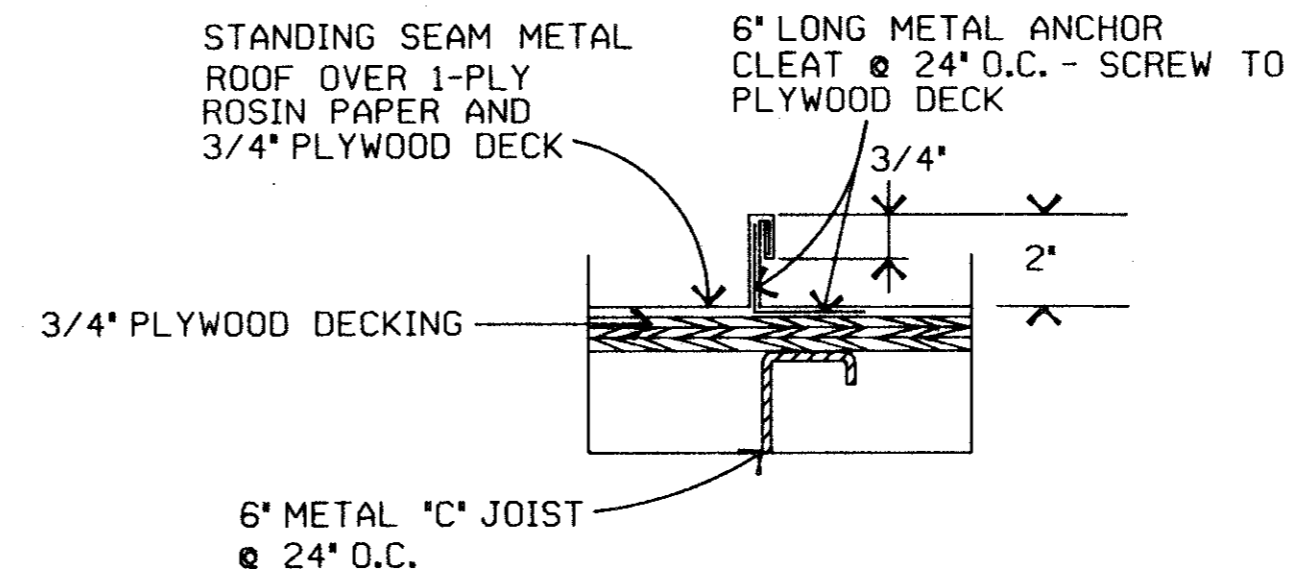


DETAIL "A"

1-1/2" = 1'

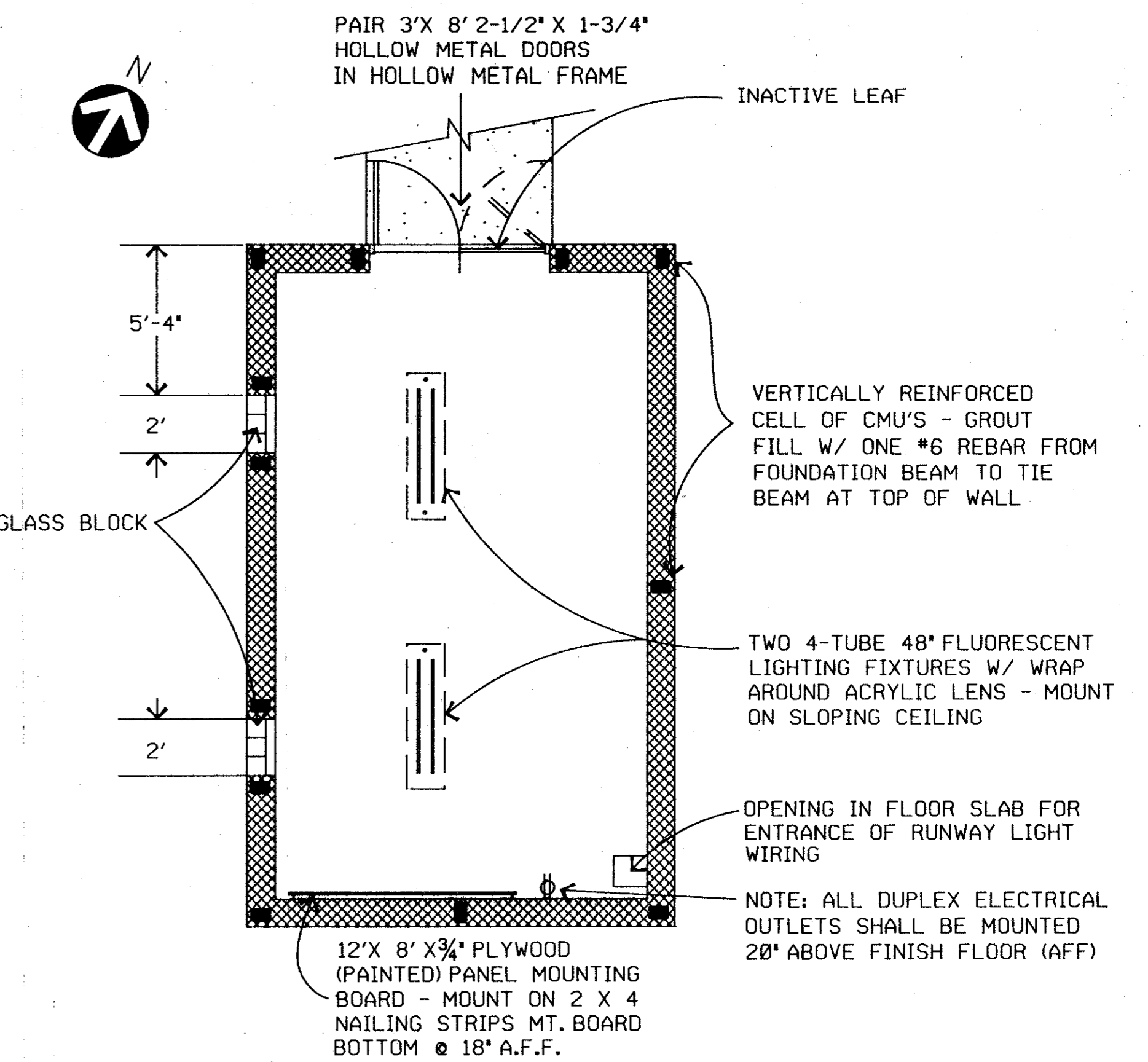
DETAIL "B"

1-1/2" = 1'



DETAIL "C"

SCALE: 3" = 1'

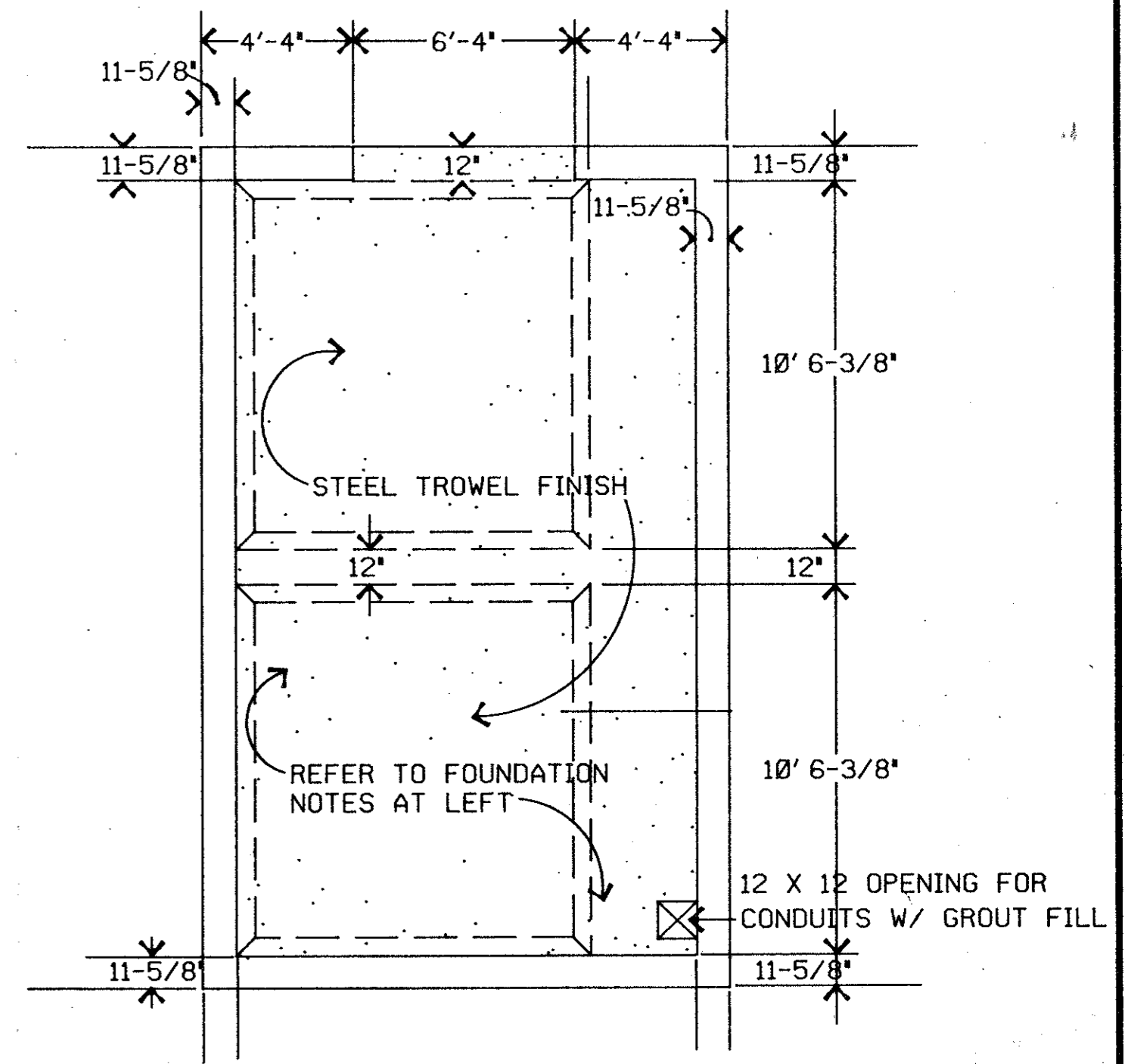


FLOOR PLAN

SCALE: 1/4" = 1'

FOUNDATION NOTES:

1. REINFORCE ALL SLAB BEAMS WITH TWO #6 RODS IN TOP OF BEAM AND TWO #6 BARS IN BOTTOM OF BEAM CONTINUOUSLY. USE #3 'U' STIRRUPS @ 12" O.C. CONTINUOUSLY IN ALL BEAMS. DOUBLE STIRRUPS (6" SPACING) FOR 48" IN EACH DIRECT. FROM THE FOUR SLAB CORNERS.
2. REINFORCE 6" CONCRETE FLOOR SLAB WITH #4 RODS PARALLEL AND PERPENDICULAR TO DIRECTION OF FOUNDATION BEAMS. WIRE TIE EVERY OTHER INTERSECTION OF SLAB STEEL. THREAD REINF. BARS UNDER TOP BEAM BARS.
3. SUPPORT ALL BARS ON HARD BURNED CLAY BRICK BATTS AT NOT LESS THAN 18" O.C.
4. POUR ENTIRE FOUNDATION OVER TWO PLYS OF 6-MIL POLYETHYLENE FILM AS A VAPOR BARRIER. SEAL FILM SEAMS WITH METALLIC TAPE.
5. PROVIDE A MINIMUM OF 6" COMPACTED SELECT FILL UNDER ALL SLAB PANELS
6. CONCRETE USED IN FOUNDATION SHALL ATTAIN A STRENGTH OF 3,000 PSI COMPRESSIVE STRENGTH @ 28 DAYS CURING TIME.



FOUNDATION PLAN

SCALE: 1/4" = 1'

AS BUILT

NOV 10 1993

LV - 2

C:\DGN\ADS\ADSBORDR.DGN

DESIGN: S. PENNINGTON	A.I.P. NO. 3-48-0063-04-92
DRAWN: PSA ENGINEERING	BID NO.: 92-29
CHECKED: P. SRIBHEN	JOB NO.: PSA 9205
SCALE:	

Date	Revisions	By

Greiner Fort Worth, Texas  
Engineers, Architects and Planners

In Association With:  
ASA ENGINEERING DALLAS, TEXAS

ADDISON AIRPORT

ELECTRICAL VAULT SECTIONS

SHEET 33  
DATE: JAN. 1992