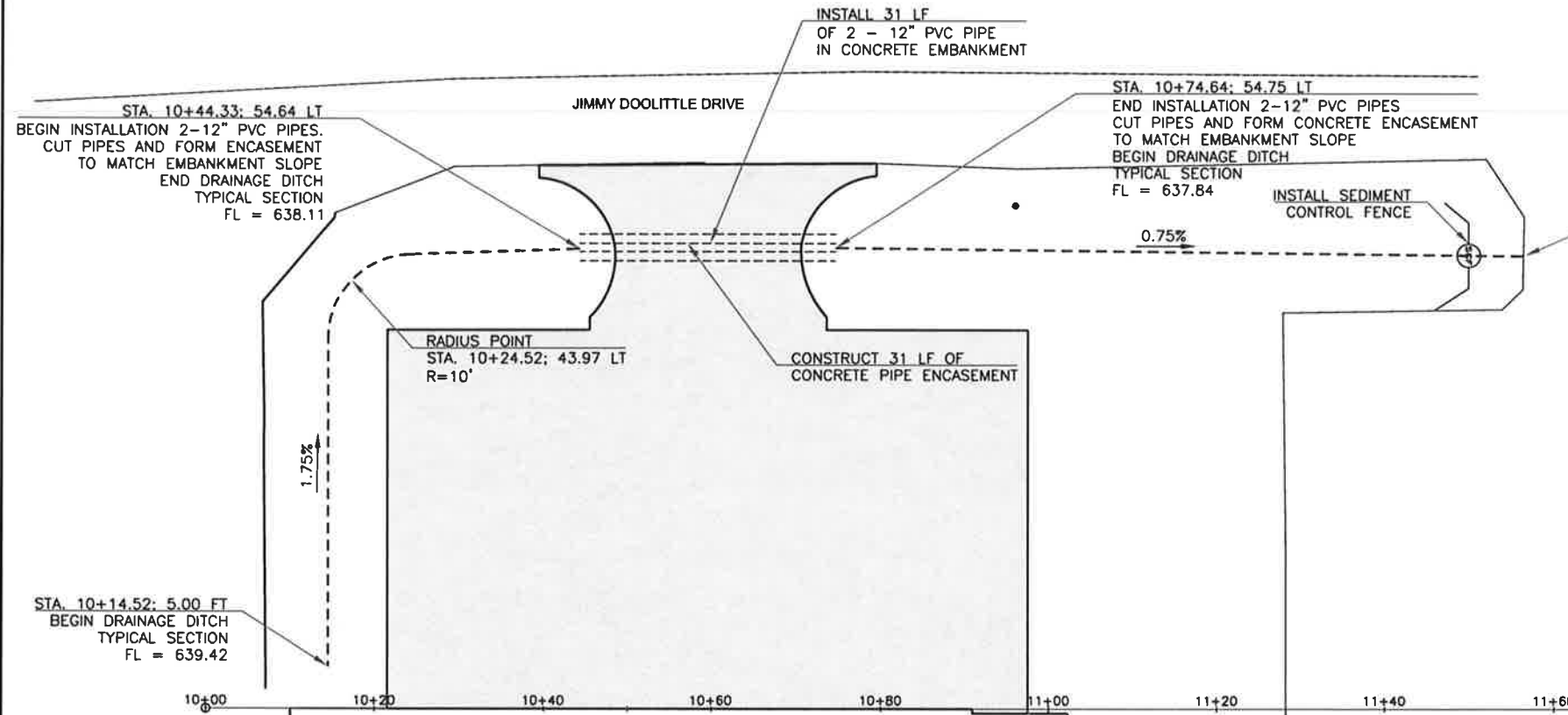
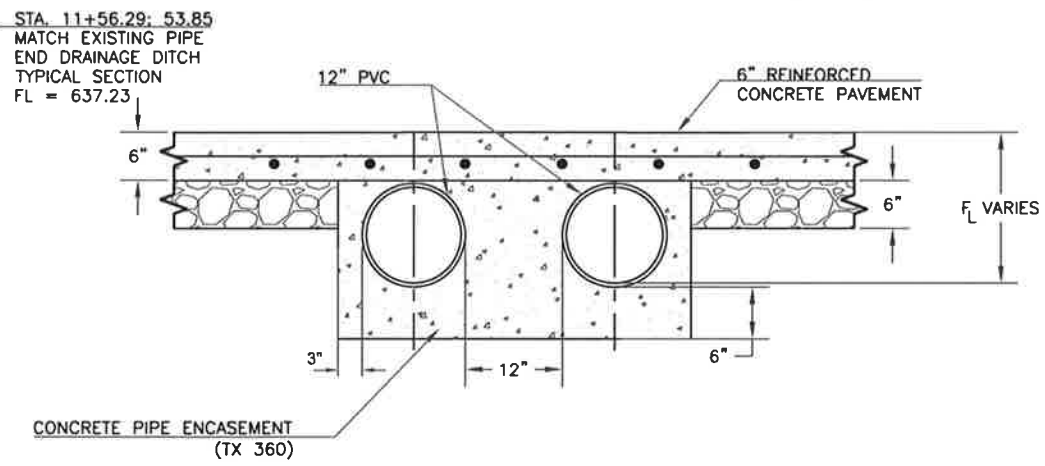
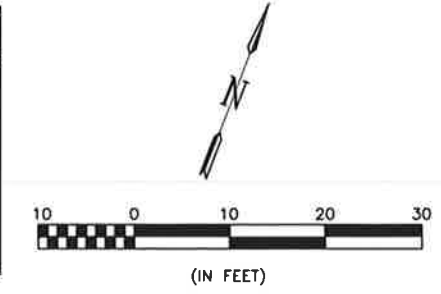
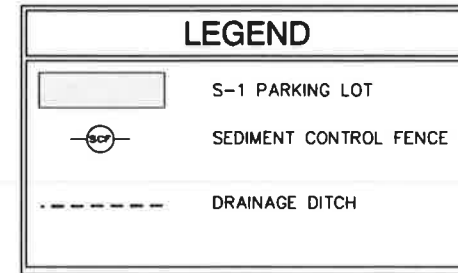


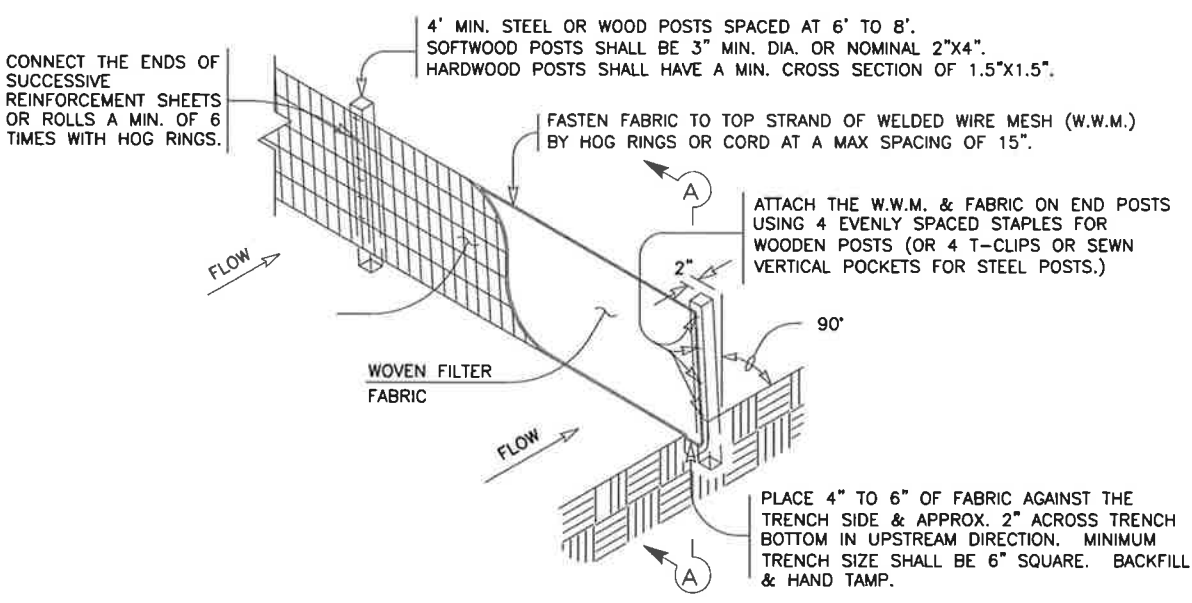
File: L:\2012\12081100 - ADS S-1 Parking Lot\Drawings\ADS\_S1P\_C103\_EC.dwg, Last Saved: 6/19/2012 4:54 PM, Last saved by: Eghomistek  
 Last Plotted: 6/19/2012 4:54 PM, Plotter: AutoCAD, Plot Scale: 1:1, Plot Date: 6/19/2012 4:54 PM, Plotter: AutoCAD, DWG To PDF.pc3



**S-1 PARKING LOT DRAINAGE AND EROSION CONTROL PLAN**  
SCALE: NONE



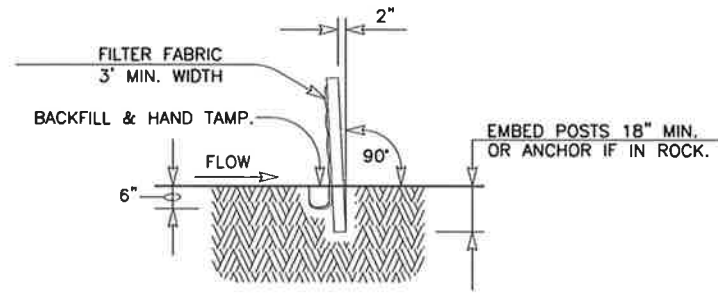
**CONCRETE PIPE ENCASEMENT DETAIL**  
SCALE: NONE



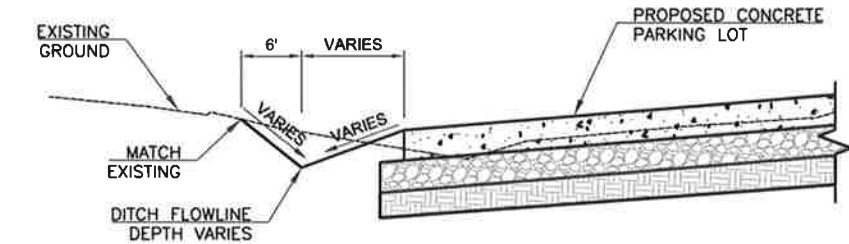
**TEMPORARY SEDIMENT CONTROL FENCE**  
SCF

**GENERAL NOTES**

1. THE GUIDELINES SHOWN HEREON ARE SUGGESTIONS ONLY AND MAY BE MODIFIED BY THE ENGINEER.



SECTION A-A



**DRAINAGE DITCH TYPICAL SECTION**  
SCALE: NONE



REGISTRATION NO. F-5713

FINAL PLANS  
THIS DOCUMENT IS RELEASED FOR THE PURPOSE OF INTERIM REVIEW UNDER THE AUTHORITY OF FRANK O. MCILLWAIN, P.E. 93229 ON 06/20/2012. IT IS NOT TO BE USED FOR CONSTRUCTION, BIDDING, OR PERMIT PURPOSES.

REV.	DATE	DESCRIPTION

ADDISON AIRPORT  
ADDISON, TX  
S-1 PARKING LOT IMPROVEMENTS

DRAINAGE AND STORM WATER POLLUTION PREVENTION PLANS

JOB NO.: 12081100  
DATE: JUNE, 2012  
DESIGNED BY: MRM  
DRAWN BY: EGC

BAR IS ONE INCH ON ORIGINAL DRAWING  
IF NOT ONE INCH ON THIS SHEET, ADJUST SCALES ACCORDINGLY.

SHEET NUMBER  
**C-103**