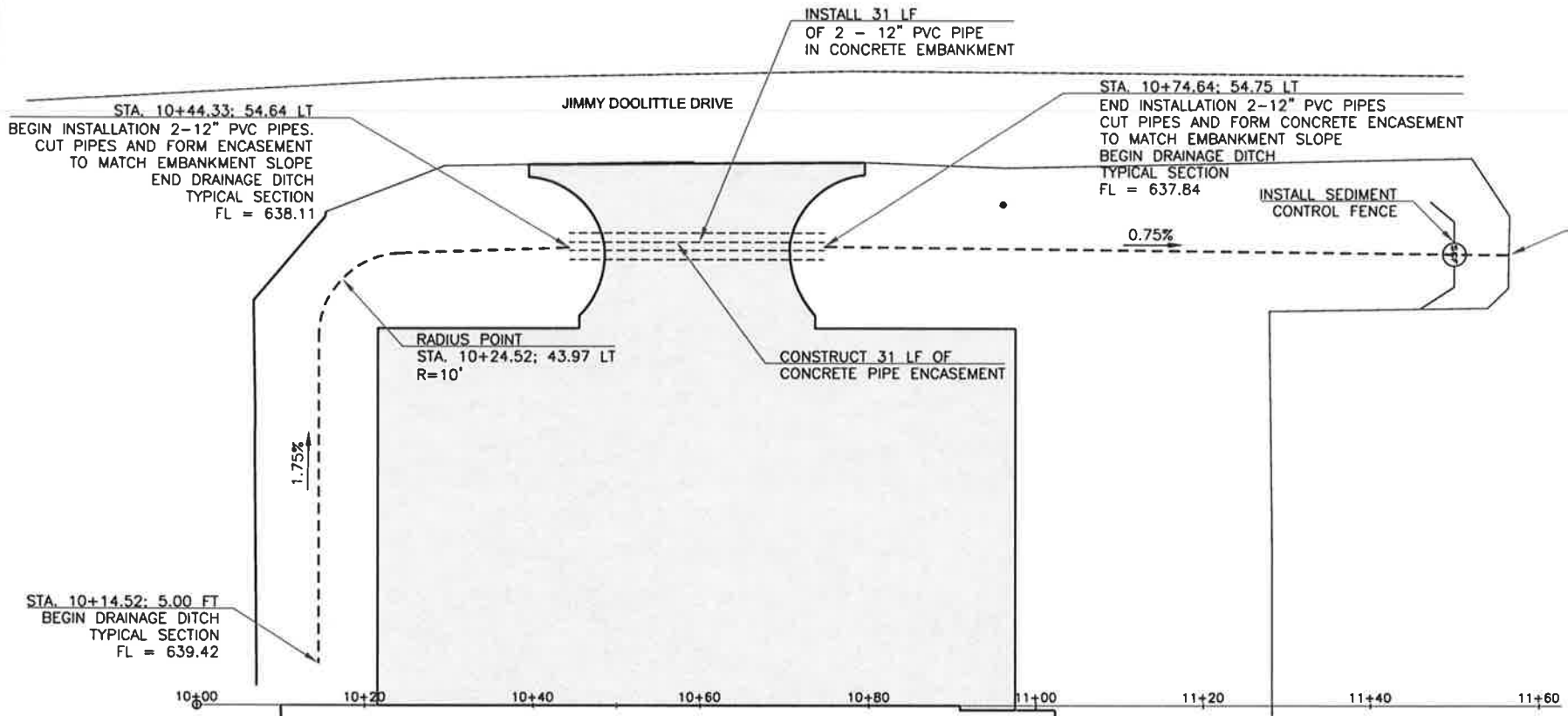


File: L:\2012\12081100 - ADS S-1 Parking Lot\Drawings\ADS_S1P_C103_EC.dwg, Last Saved: 6/19/2012 4:54 PM, Last saved by: Eghomistek
 Last Plotted: 6/19/2012 4:54 PM, Plotted by: Eghomistek, Plot Scale: 1:1, Plot Date: 6/19/2012 4:54 PM, Plotter: AutoCAD, DWG To PDF.pc3

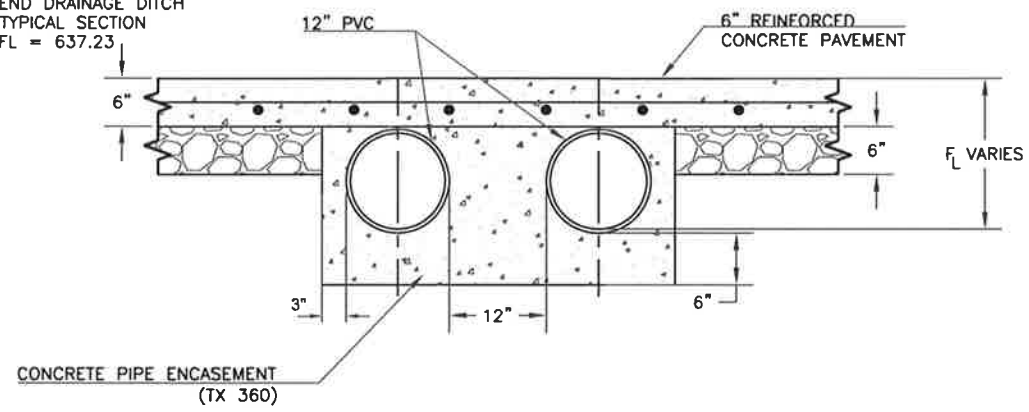


S-1 PARKING LOT DRAINAGE AND EROSION CONTROL PLAN
SCALE: NONE

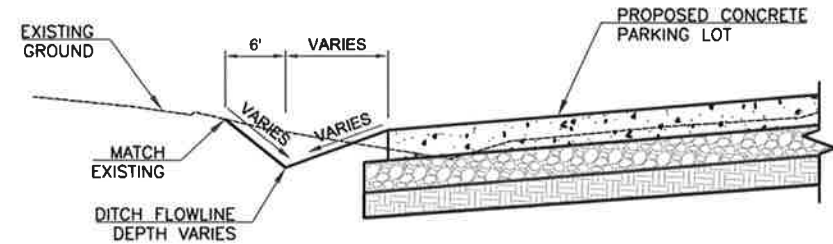
LEGEND

- S-1 PARKING LOT
- DRAINAGE DITCH
- SEDIMENT CONTROL FENCE

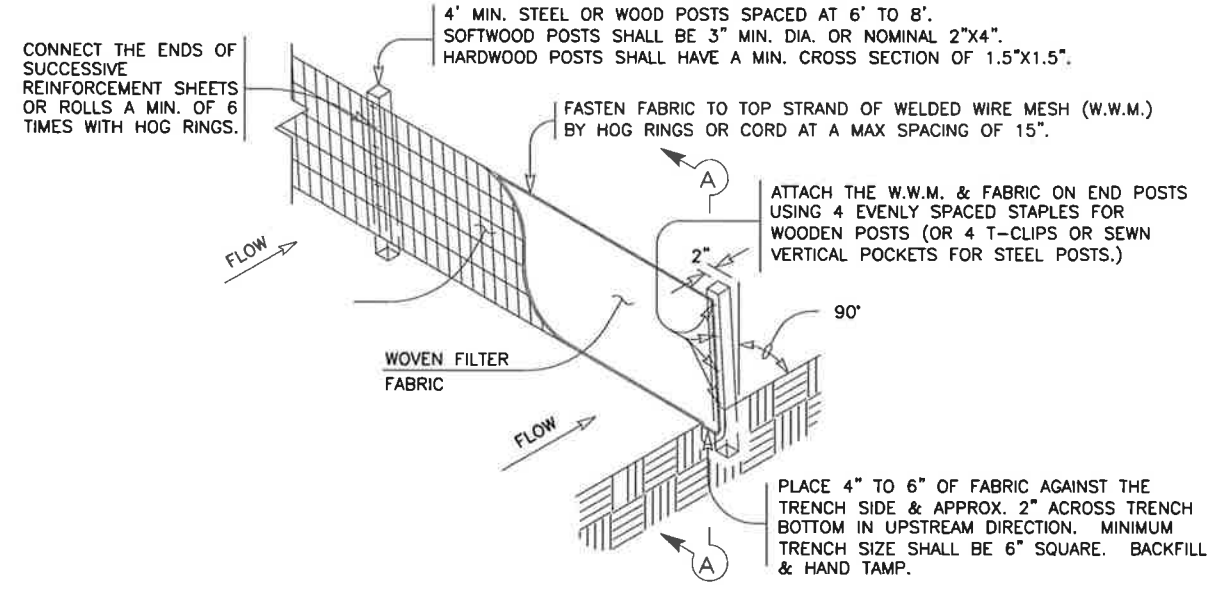
(IN FEET)



CONCRETE PIPE ENCASEMENT DETAIL
SCALE: NONE



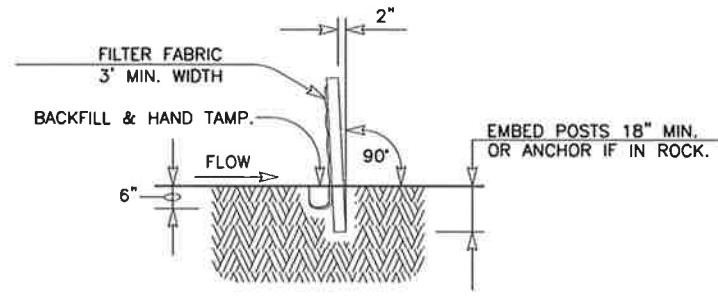
DRAINAGE DITCH TYPICAL SECTION
SCALE: NONE



TEMPORARY SEDIMENT CONTROL FENCE

GENERAL NOTES

1. THE GUIDELINES SHOWN HEREON ARE SUGGESTIONS ONLY AND MAY BE MODIFIED BY THE ENGINEER.



SECTION A-A



REGISTRATION NO. F-5713

FINAL PLANS
 THIS DOCUMENT IS RELEASED FOR THE PURPOSE OF INTERIM REVIEW UNDER THE AUTHORITY OF FRANK O. MCILLWAIN, P.E. 93229 ON 06/20/2012. IT IS NOT TO BE USED FOR CONSTRUCTION, BIDDING, OR PERMIT PURPOSES.

REV.	DATE	DESCRIPTION

ADDISON AIRPORT
 ADDISON, TX
 S-1 PARKING LOT IMPROVEMENTS

DRAINAGE AND STORM WATER POLLUTION PREVENTION PLANS

JOB NO.: 12081100
 DATE: JUNE, 2012
 DESIGNED BY: MRM
 DRAWN BY: EGC

BAR IS ONE INCH ON ORIGINAL DRAWING
 IF NOT ONE INCH ON THIS SHEET, ADJUST SCALES ACCORDINGLY.

SHEET NUMBER
C-103