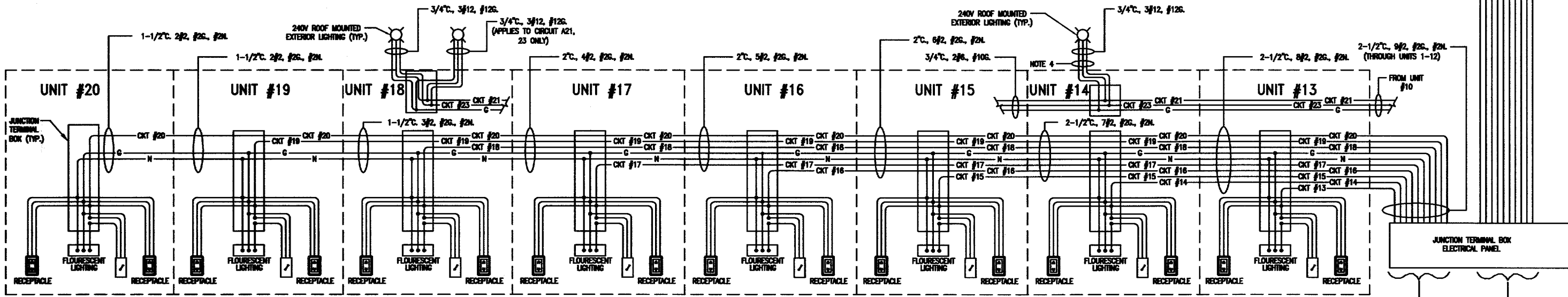


**CIRCUITS #5, 6, 7, 8, 9, 10, 11, 12 WIRING DIAGRAM**  
 TYPICAL FOR EACH OF THE TWO TEE HANGARS  
 NOT TO SCALE



- NOTES:
1. WIRING AND CONDUIT SIZES FOR EXTENSION WIRING FROM JUNCTION BOX TO LIGHTING, SWITCHES AND RECEPTACLES SHALL BE THE SAME AS SHOWN FOR UNIT #1 AS SHOWN ON SHEET E8.
  2. FOR CIRCUITS 1-4 SEE SHEET E8.
  3. NO ROOF MOUNT UNITS IN UNIT #6 FOR CIRCUITS A22, 24.
  4. NO ROOF MOUNT UNITS IN UNIT #14 FOR CIRCUITS A21, 23.

**CIRCUITS #13, 14, 15, 16, 17, 18, 19, 20, 21, WIRING DIAGRAM**  
 TYPICAL FOR EACH OF THE TWO TEE HANGARS  
 NOT TO SCALE

**VERIFY SCALE**  
 Bar is one inch on original drawing.  
 0 1  
 If not one inch on this sheet, adjust scale accordingly.

THESE DOCUMENTS ARE FOR BIDDING, CONSTRUCTION, AND PERMIT PURPOSES.  
*Joseph Wood*  
 DATE: 1-12-05



**TOWN OF ADDISON, TEXAS**

**ADDISON AIRPORT TEE HANGAR LIGHTING**  
**CIRCUIT DIAGRAM 5 THRU 21**

**McCREARY & ASSOCIATES, INC.**  
 CONSULTING ENGINEERS  
 630 AMHERST DRIVE  
 SUITE 100 FORT WORTH, TEXAS 76104

DESIGNED BY: W.H.G.	PROJECT: 97 180	SHEET NO. E7
DRAWN BY: M.E.G.	DATE: JANUARY, 2005	OF 17 SHEETS