

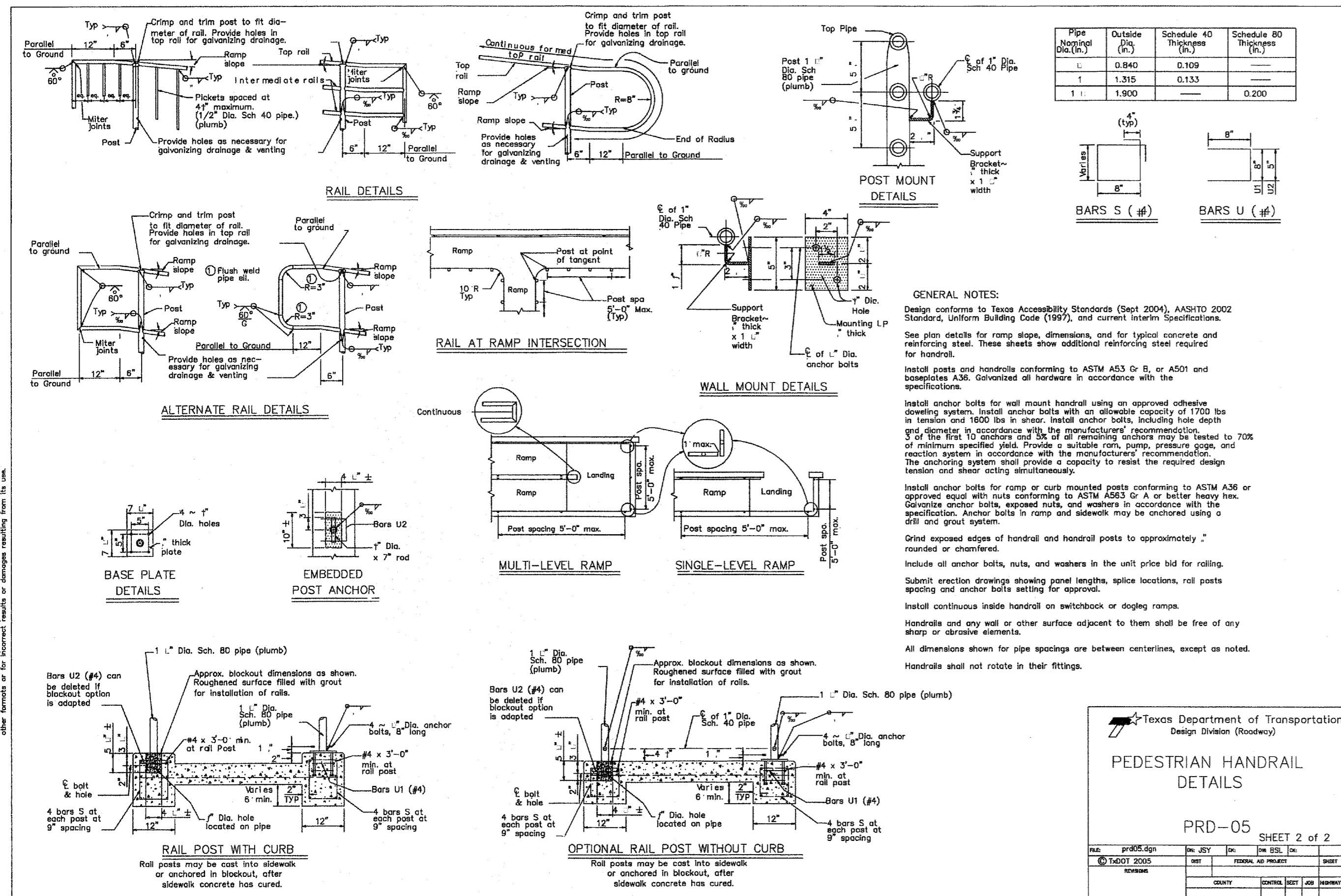
Dropoff Height/Condition	Recommended Rail Options
<30" dropoff	TY A, TY B, TY C, or TY D
>30" dropoff, or along Bike Path	TY E or TY F

Texas Department of Transportation
Design Division (Roadway)

PEDESTRIAN HANDRAIL DETAILS

PRD-05 SHEET 1 OF 2

DATE	BY	CHK	APP	REV
02/01/2002

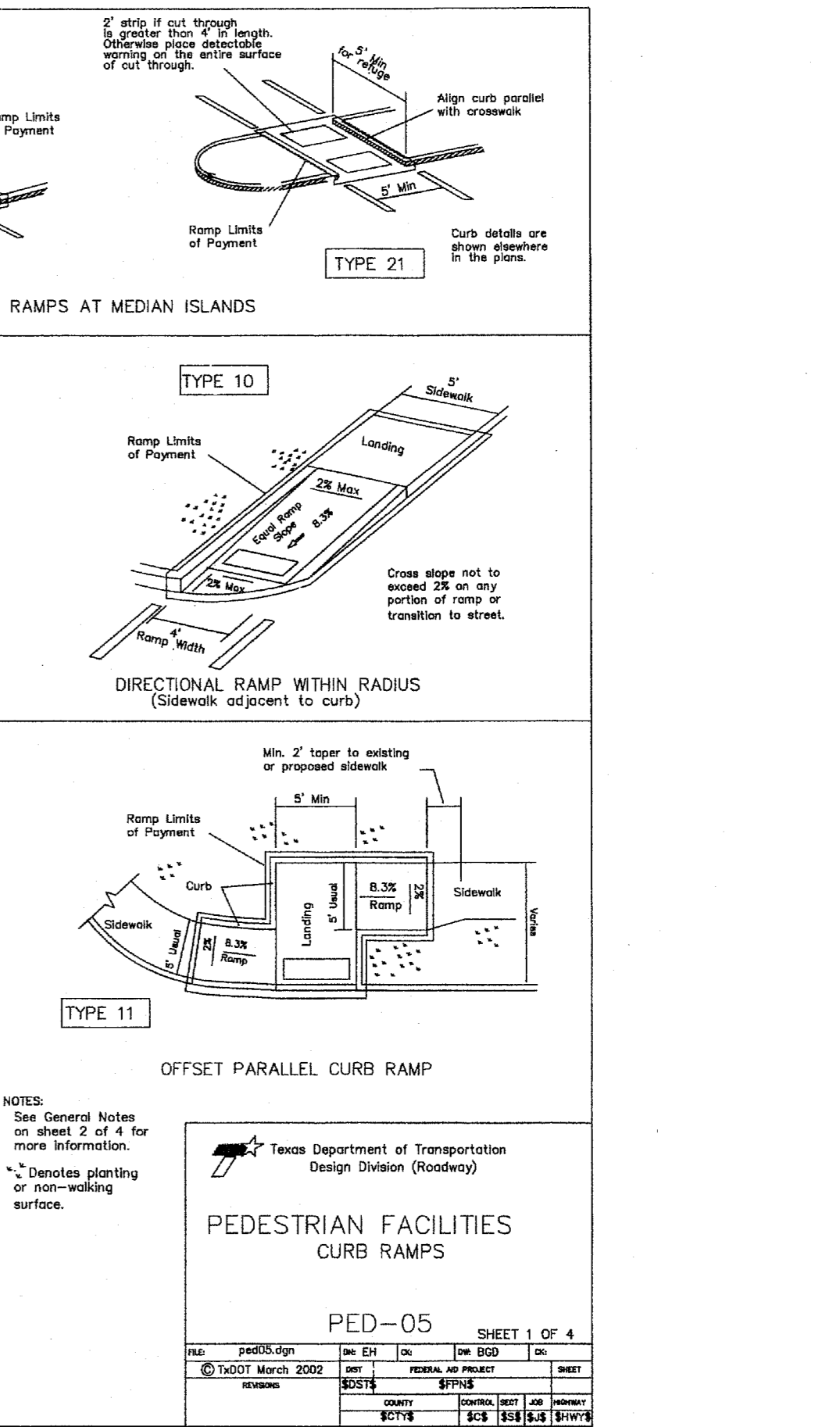
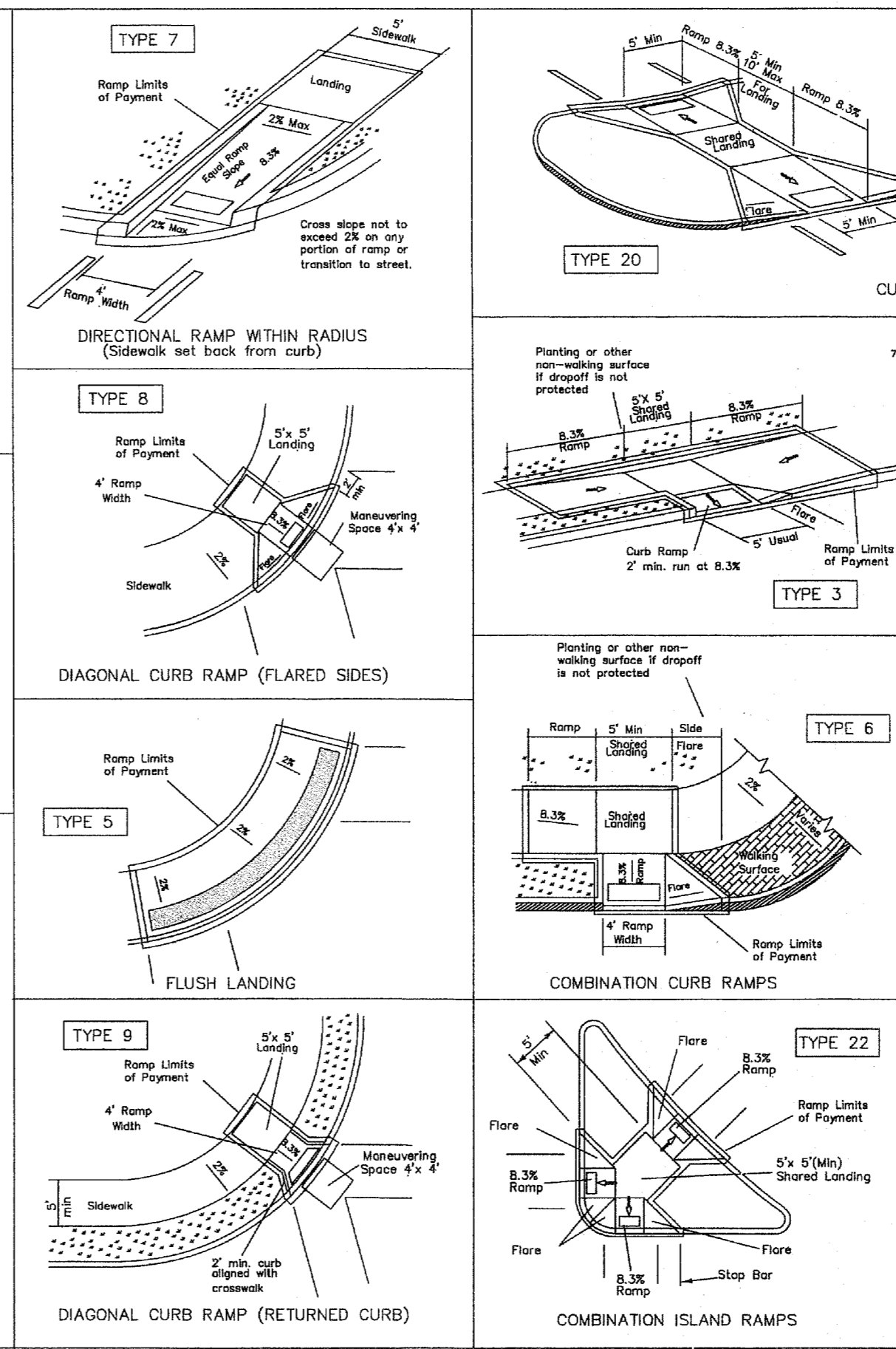
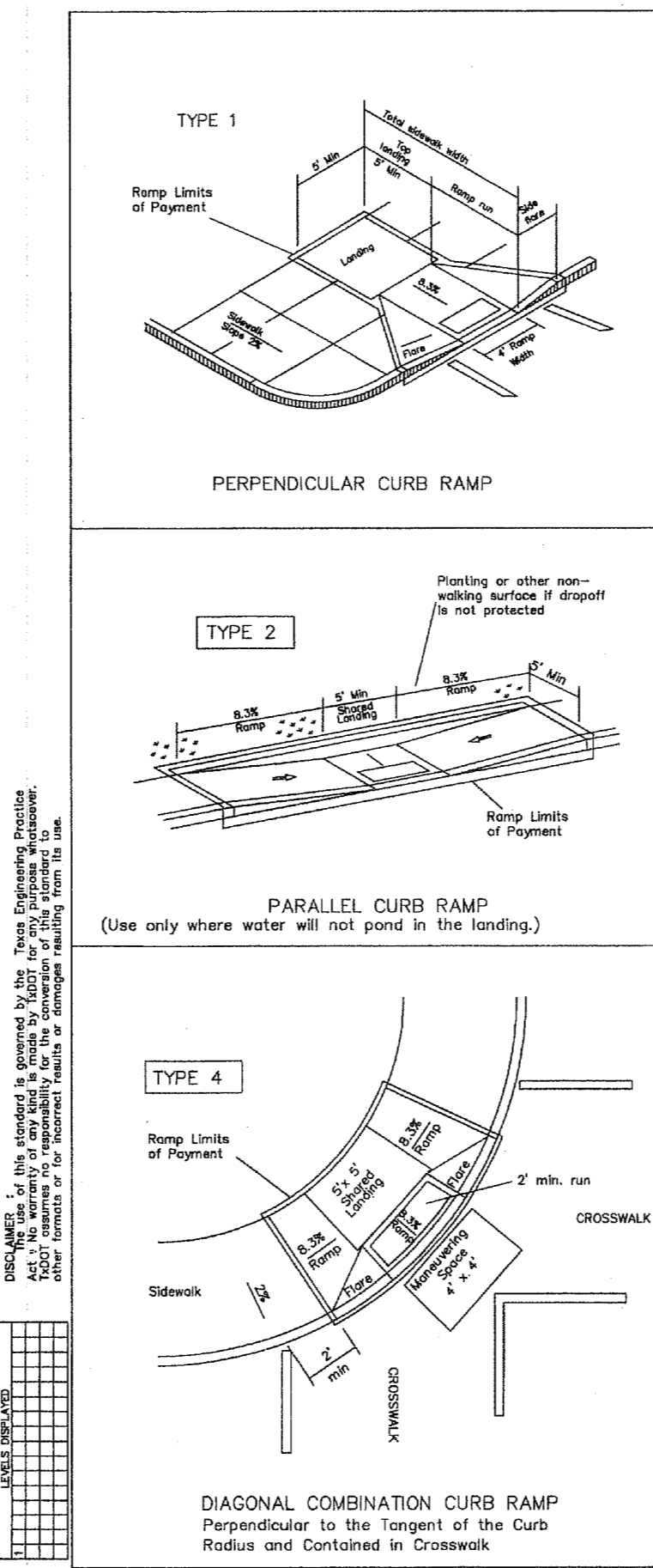


Texas Department of Transportation
Design Division (Roadway)

PEDESTRIAN HANDRAIL DETAILS

PRD-05 SHEET 2 OF 2

DATE	BY	CHK	APP	REV
02/01/2002

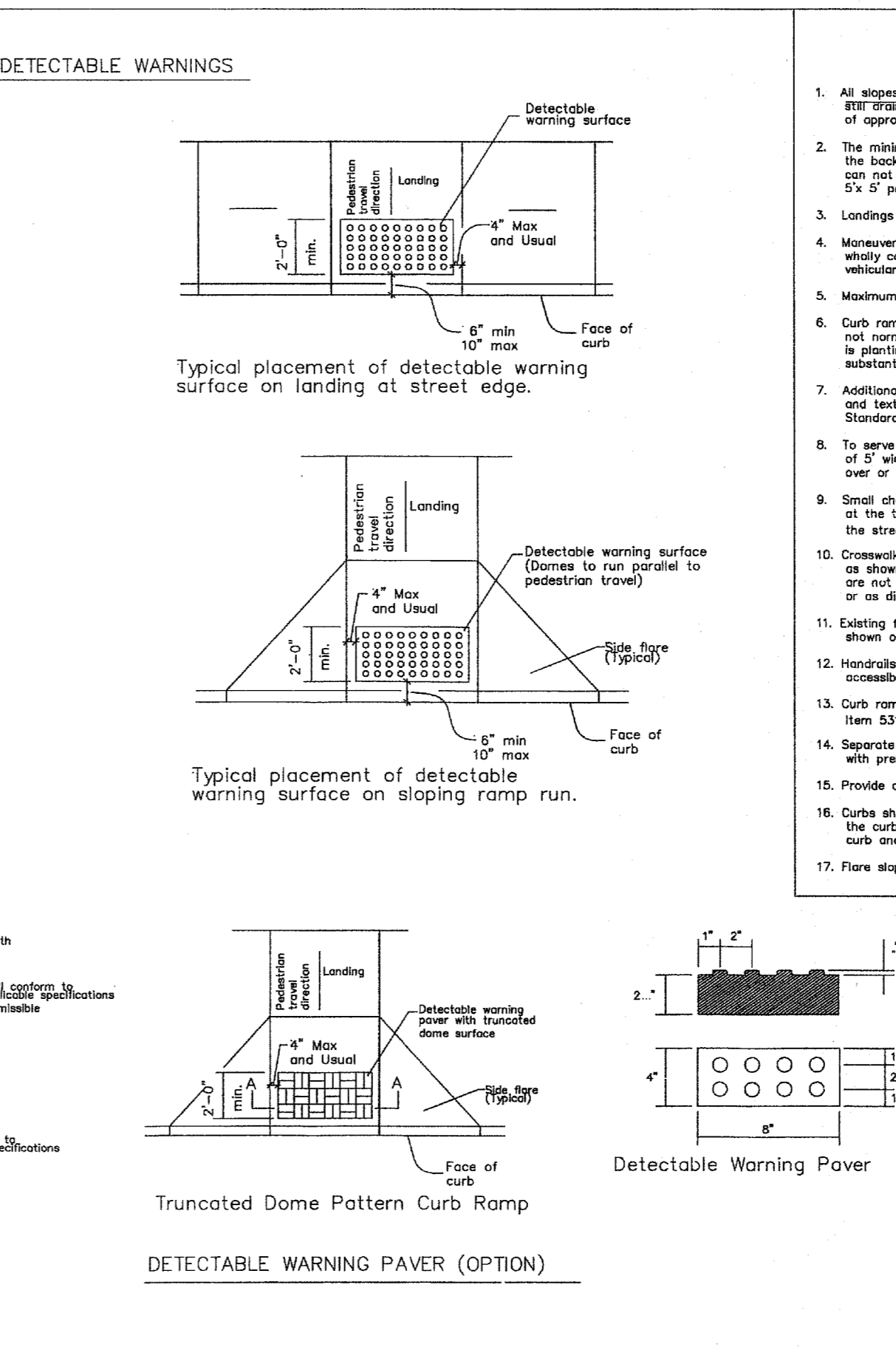
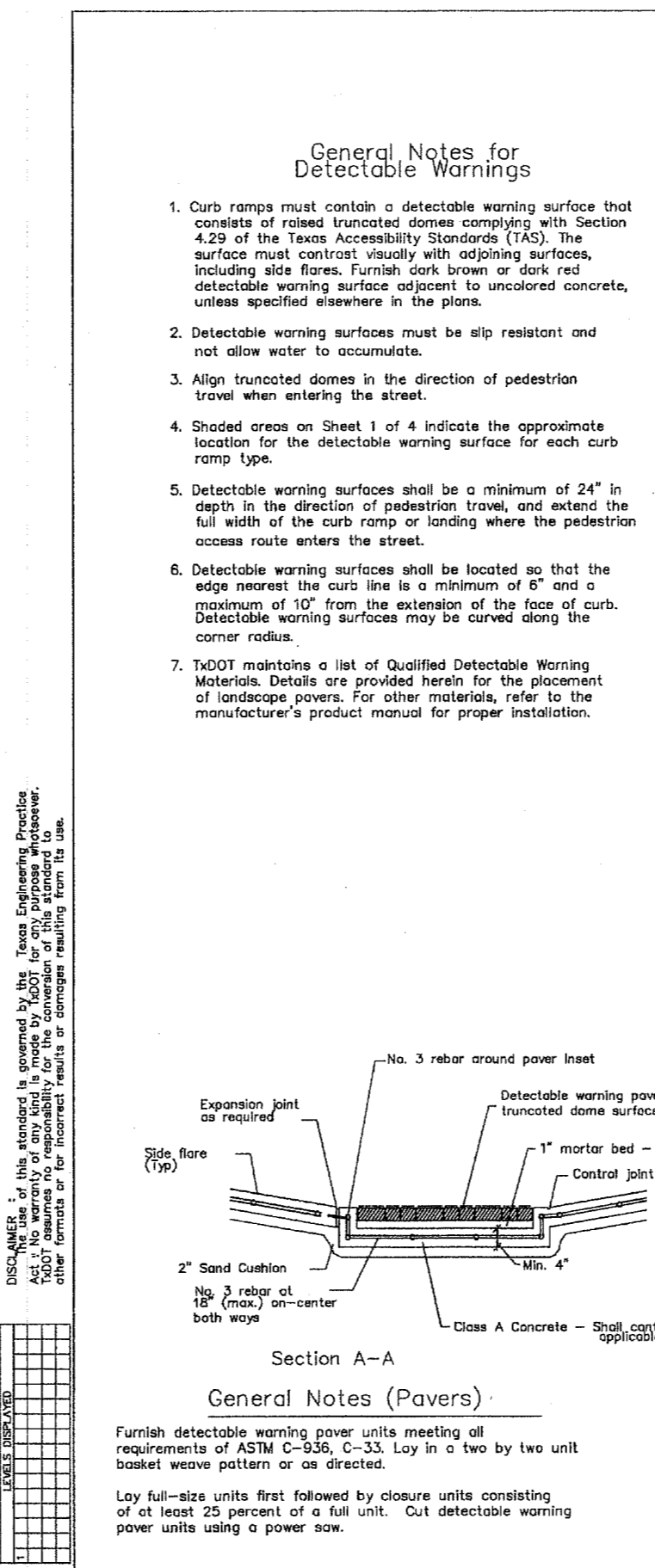


Texas Department of Transportation
Design Division (Roadway)

PEDESTRIAN FACILITIES CURB RAMPS

PED-05 SHEET 1 OF 4

DATE	BY	CHK	APP	REV
02/01/2002



Texas Department of Transportation
Design Division (Roadway)

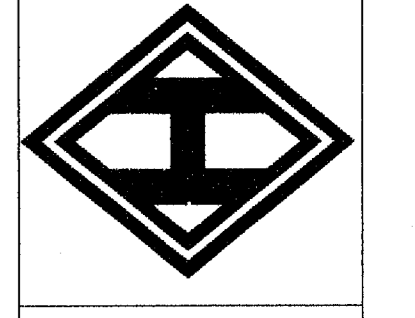
PEDESTRIAN FACILITIES GENERAL NOTES AND DETECTABLE WARNINGS

PED-05 SHEET 2 OF 4

DATE	BY	CHK	APP	REV
02/01/2002

HOMEYER ENGINEERING, INC.
CIVIL ENGINEERING • PLANNING
SITE & LAND PLANNING

P.O. BOX 294527 • LEWISVILLE, TEXAS 75029
972-906-9885 PHONE • 972-906-9887 FAX
WWW.HOMEYERENGINEERING.COM



TURBINE AIR EXPANSION
ADDISON AIRPORT, BLDG. A-5
2.404 ACRES, ZONED I-3
4550 JIMMY DOOLITTLE DRIVE
TOWN OF ADDISON
DALLAS COUNTY, TEXAS

DETAILS

DRAWN: HEI
DATE: 12/18/08
HEI #: 08-152
SHEET NO: C8

