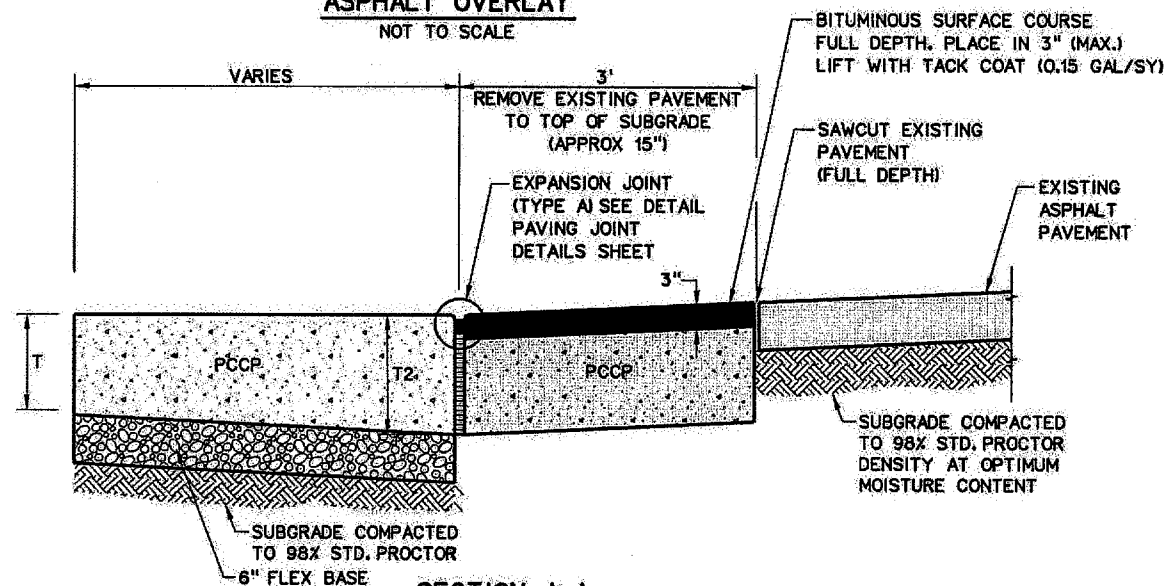
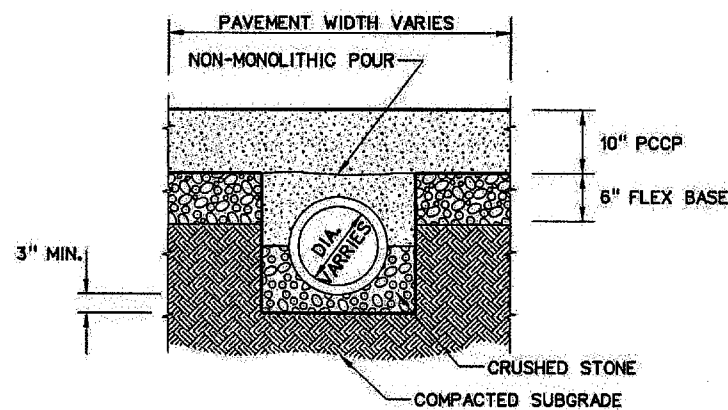


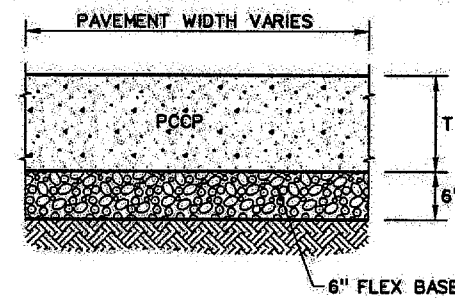
**SECTION B-B
ASPHALT OVERLAY**
NOT TO SCALE



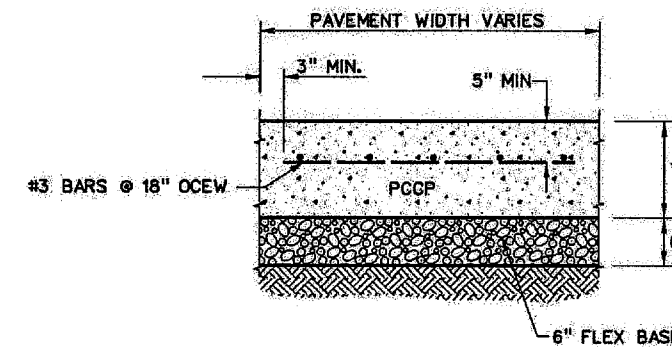
**SECTION A-A
EXISTING ASPHALT / PROPOSED CONCRETE PAVEMENT DETAIL**
SEE NOTES 1 AND 2
NOT TO SCALE



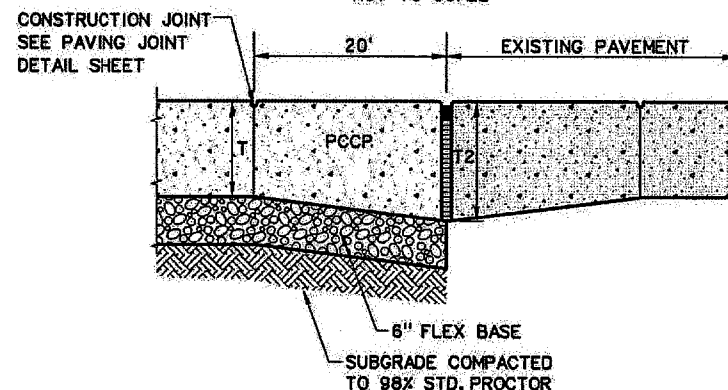
APRON STORM DRAIN DETAIL
NOT TO SCALE



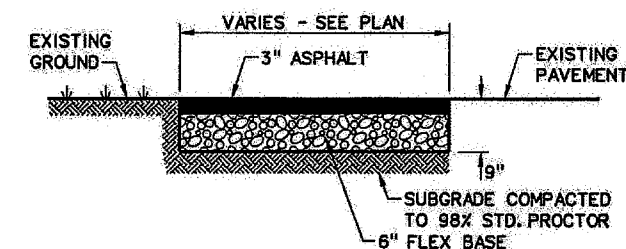
NON-REINFORCED PAVEMENT
SEE NOTES 1 AND 2
NOT TO SCALE



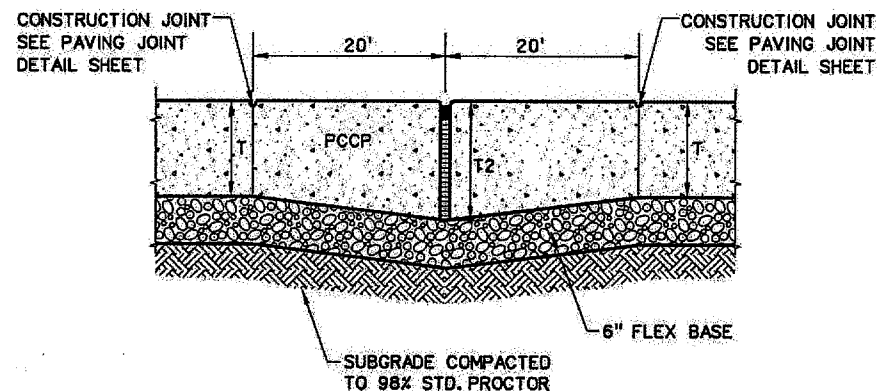
REINFORCED PAVEMENT
SEE NOTES 1 AND 2
NOT TO SCALE



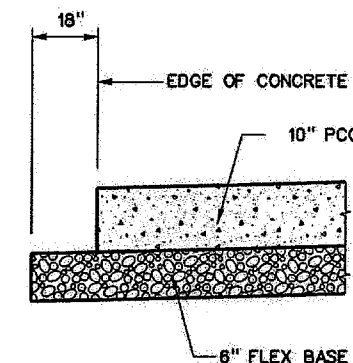
**SECTION C-C
THICKENED EDGE NON-REINFORCED PAVEMENT**
SEE NOTE 1
NOT TO SCALE



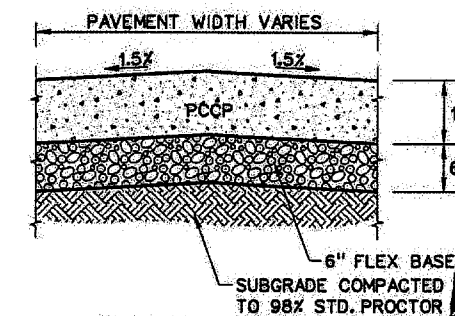
TEMPORARY ASPHALT PAVEMENT
NOT TO SCALE



**SECTION D-D
THICKENED EDGE NON-REINFORCED PAVEMENT**
SEE NOTE 1
NOT TO SCALE



TYPICAL PAVEMENT EDGE
NOT TO SCALE



TAXIWAY PAVEMENT
NOT TO SCALE

NOTES:

1. PAVEMENT THICKNESS
16" LIME TREATED SUBGRADE NOT USED!
T=10"
T2=12"
2. ALL SAWCUTTING ON THIS PROJECT
SHALL BE SUBSIDIARY TO THE VARIOUS
BID ITEMS.
3. SEE PAVING PLANS FOR LOCATION OF
SECTIONS.
4. FIBROUS REINFORCEMENTS FOR CONCRETE
WILL NOT BE ALLOWED.

AS BUILT PLANS

13-JUN-2008 10:52
C:\45601\Code\Sheets\Tst\ts01.dgn

NO.	DATE	REVISION	APPROV.	NO.	DATE	REVISION	APPROV.

THE SEAL APPEARING ON THIS DOCUMENT WAS AUTHORIZED BY J.S. NICEWANDER, P.E. 87843, ON OCTOBER 26, 2007.



HNTB		HNTB Corporation The HNTB Companies Engineers, Architects, Planners
DESIGN CHECK	JSN MAH	PROJECT NO. 43601
DRAWN CHECK	CCH MAH	
DATE	SEPTEMBER 2007	
SCALE		



TOWN OF ADDISON TAXIWAY SIERRA	SHEET 7 OF 28
TYPICAL SECTIONS	7
TOWN OF ADDISON, TEXAS	TS-1