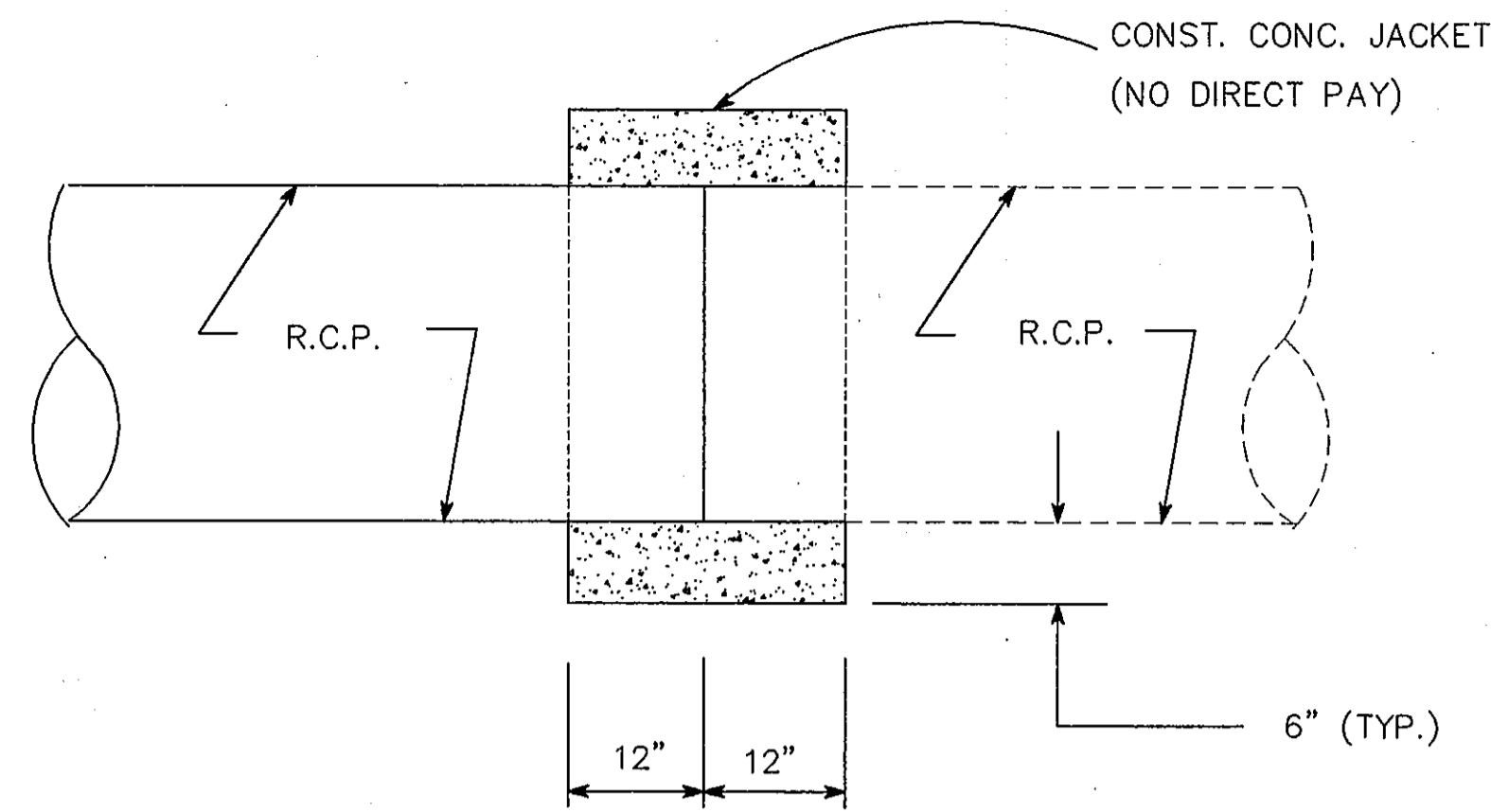


PIPE SIZE	TYPE	(W) CLEAR DISTANCE MINIMUM
24"	RCP	0'-11"
42"	RCP	1'-5"
48"	RCP	1'-7"
DES. 5 (36" EQ.)	CONC. PIPE ARCH	1'-3"

PIPE BEDDING DETAIL

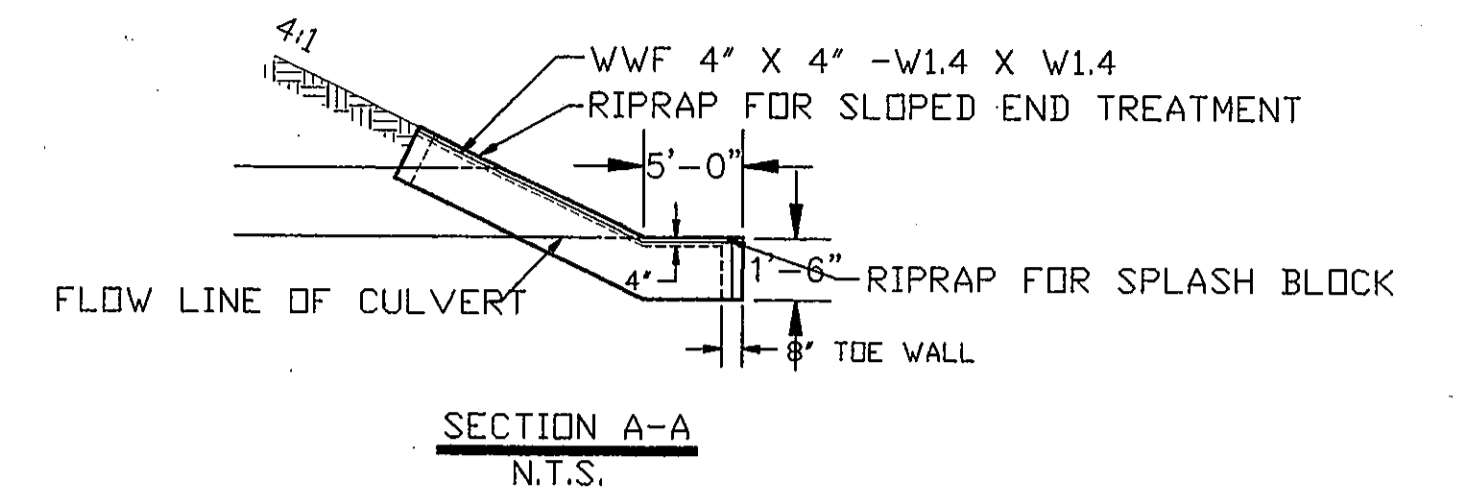
N.T.S.



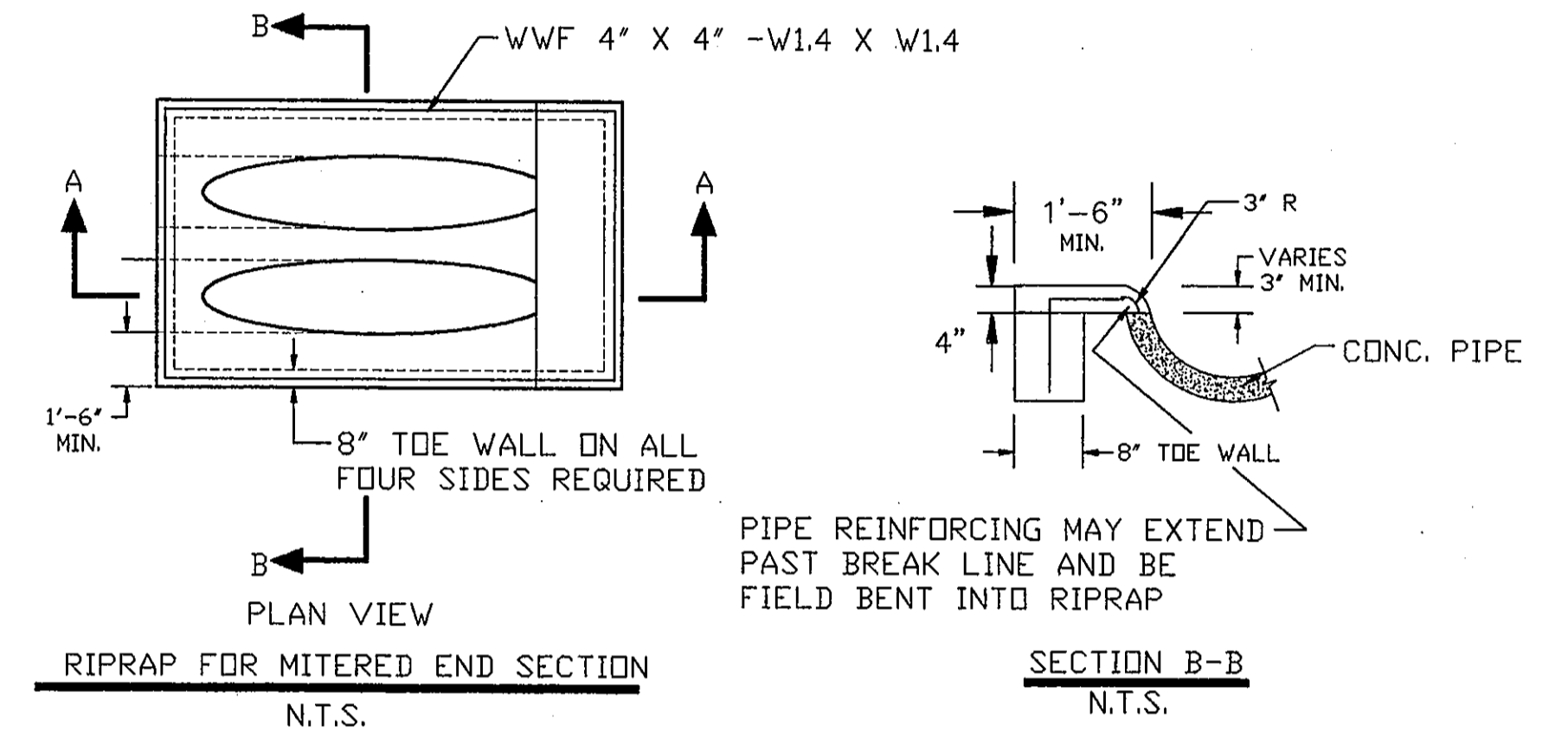
CONC. JACKET DETAIL

N.T.S.

NOTE: CONCRETE JACKETS MAY BE REQUIRED AT THE CONNECTIONS TO THE EXISTING 4-29"X45" ELLIPTICAL PIPES AND TO THE EXISTING 2-42" RCP'S. THE COST OF THE CONCRETE JACKETS WILL NOT BE PAID FOR DIRECTLY, BUT WILL BE CONSIDERED INCIDENTAL TO THE PIPE INSTALLATION.



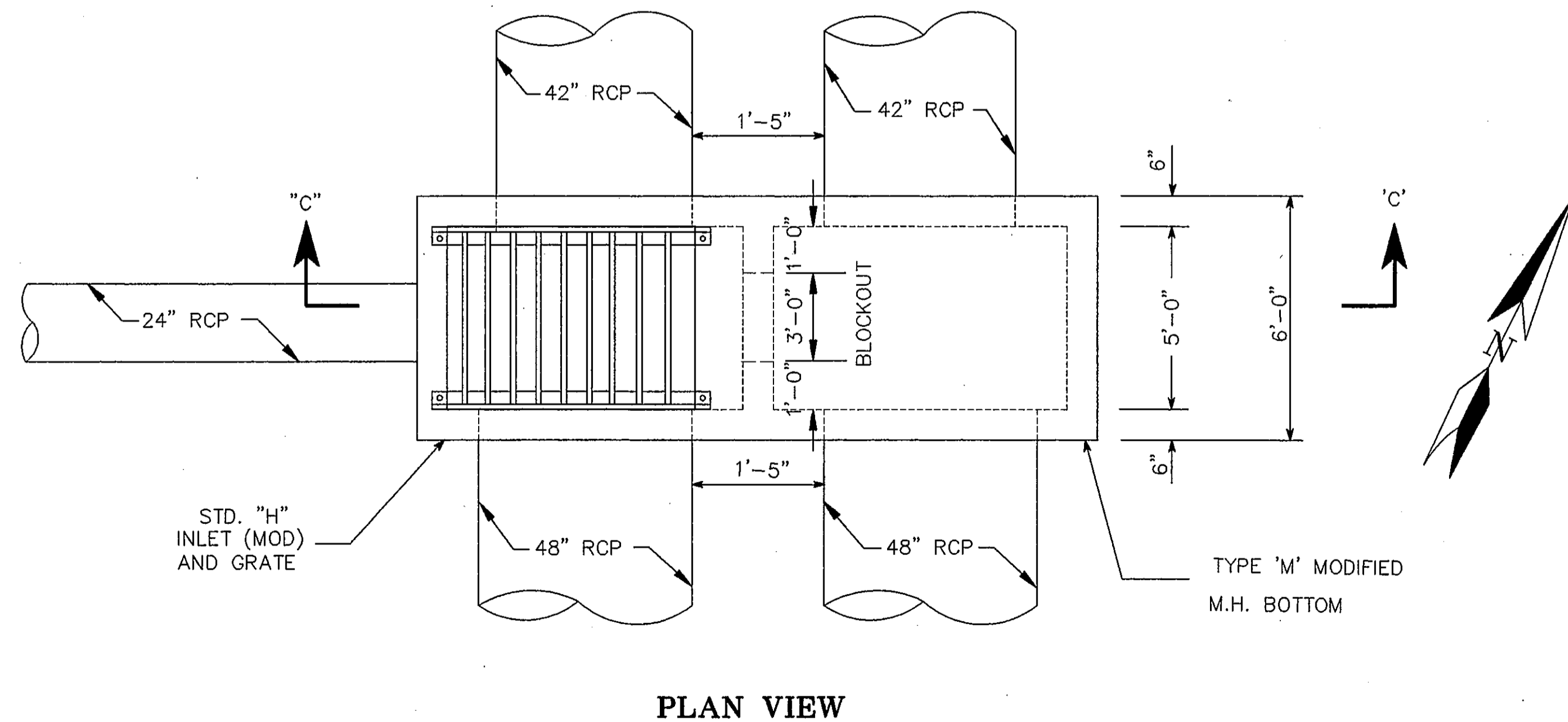
SECTION A-A
N.T.S.



PLAN VIEW
RIPRAP FOR MITERED END SECTION
N.T.S.

SECTION B-B
N.T.S.

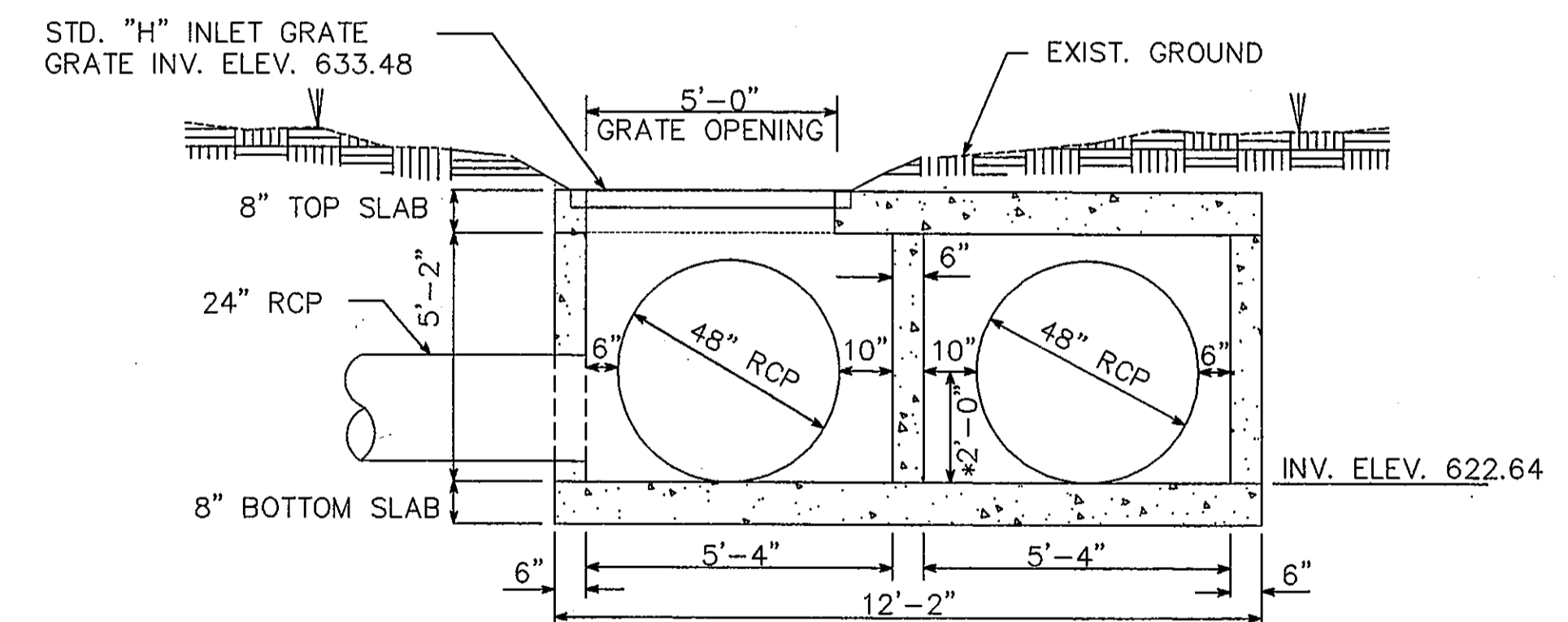
RIPRAP FOR THE MITERED END SECTION WILL NOT BE PAID FOR DIRECTLY, BUT WILL BE CONSIDERED SUBSIDIARY TO THE MITERED END SECTION.



PLAN VIEW

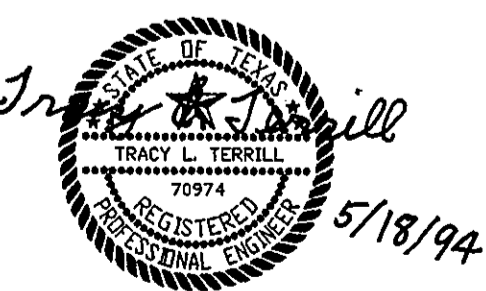
STRUCTURE A-6 DETAILS (TYPE 'H' INLET W/ TYPE 'M' MOD. M. H. BOT.)

N.T.S.



SECTION 'C - C'

* NOTE: BLOCKOUT IN CENTER WALL (2'-0" HIGH X 3'-0" WIDE)



AS BUILT

OCT 20 1995

THE SEAL APPEARING ON THIS DOCUMENT WAS AUTHORIZED BY TRACY L. TERRILL, P.E. 70974, ON MAY, 1994.

DESIGN: T.L.T.	A.I.P. NO. 3-48-0063-06	Date	Revisions	By
DRAWN: J.R.H.	BID NO. 94-33			
CHECKED: L.D.T.	JOB NO. 18024.60			
SCALE: AS NOTED				

Greiner, Inc.
Greiner, Inc.
Fort Worth, Texas

Engineers, Architects
and Planners



ADDISON AIRPORT

DRAINAGE DETAILS

SHEET 19
DATE: MAY, 1994