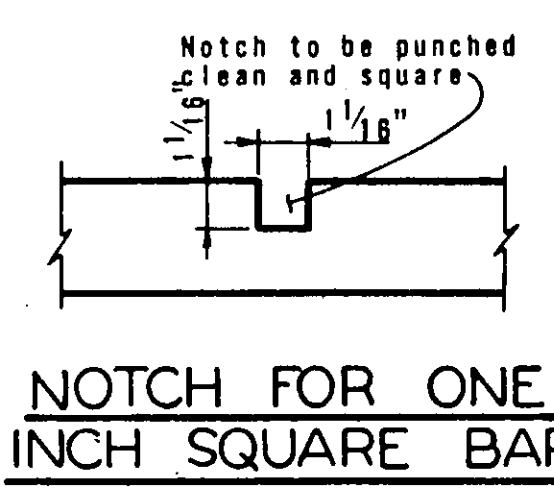
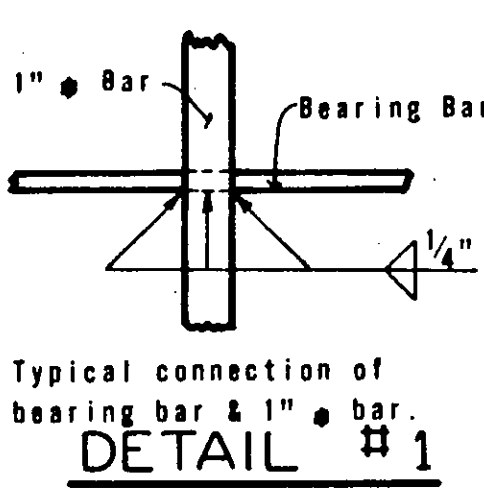
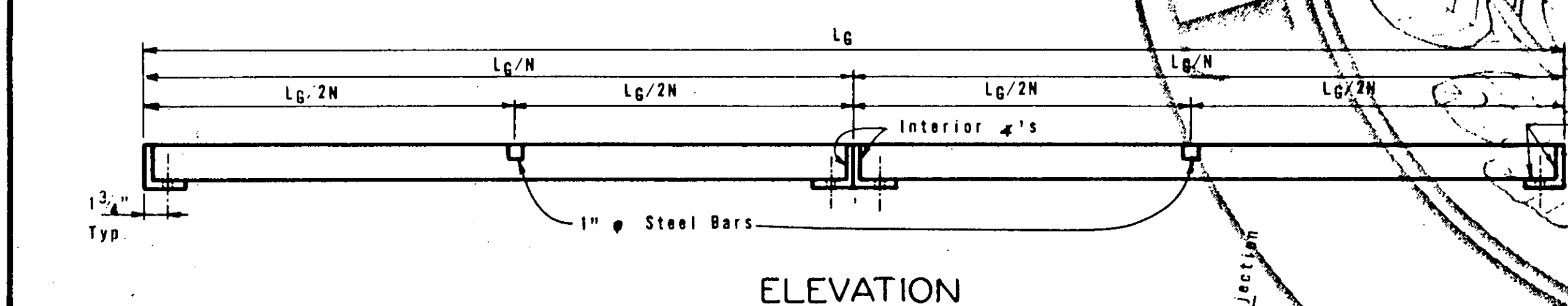
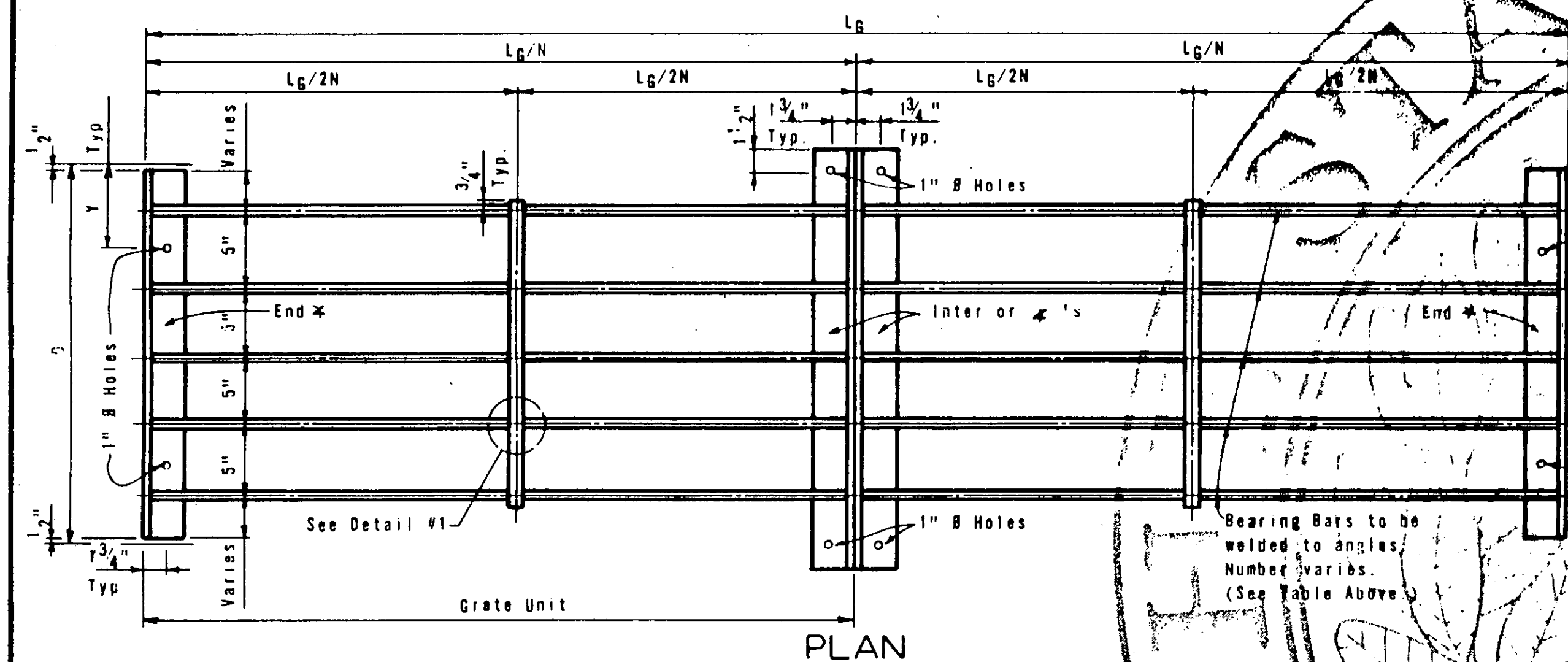
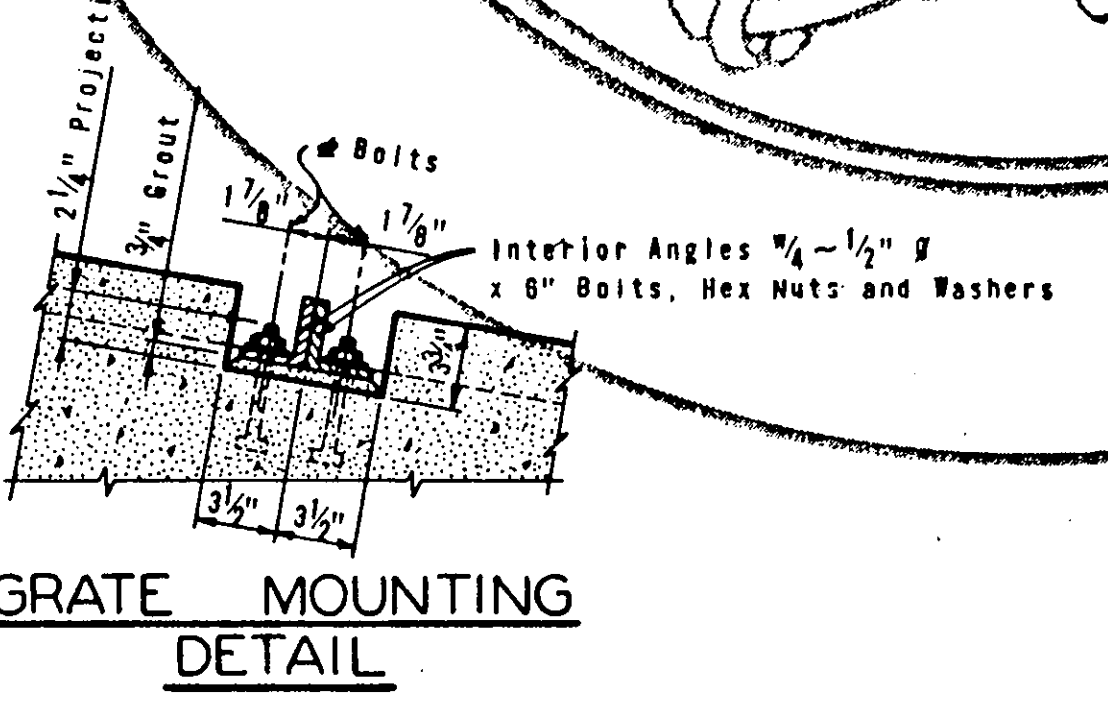


SLOPE	Y	DIAM. OF PIPE = D	GRATE QUANTITIES FOR SLOPING INLET													TOTAL WEIGHT LBS.				
			Z	TOTAL	BEARING BARS @ 5" C.C.			INTERIOR ANGLES			END ANGLES			1" # BARS						
					NO.	SIZE	LG/N	WT.	NO.	SIZE	LGTH	WT.	NO.	SIZE	LGTH		WT.	NO.	LGTH	WT.
6:1	4 1/2"	18"	2	2	8	2 1/2" x 1/2"	6'-5 3/4"	220	2	3" x 3" x 1/2"	2'-0 1/2"	38	2	3" x 3" x 1/2"	1'-5"	27	2	1'-4 1/2"	9	295
6:1	5"	24"	2	2	10	2 1/2" x 1/2"	8'-1 3/8"	345	2	3" x 3" x 1/2"	2'-6 1/2"	40	2	3" x 3" x 1/2"	1'-11"	36	2	1'-9 1/2"	12	441
6:1	5 1/2"	30"	3	3	18	2 1/2" x 1/2"	6'-6 1/8"	498	4	3" x 3" x 1/2"	3'-0 1/2"	114	2	3" x 3" x 1/2"	2'-5"	45	3	2'-2 1/2"	23	680
6:1	6"	36"	3	3	21	2 1/2" x 1/2"	7'-7 1/4"	679	4	3" x 3" x 1/2"	3'-6 1/2"	133	2	3" x 3" x 1/2"	2'-11"	53	3	2'-7 1/2"	27	892
6:1	6 1/2"	42"	3	3	24	2 1/2" x 1/2"	8'-8 9/16"	889	4	3" x 3" x 1/2"	4'-0 1/2"	152	2	3" x 3" x 1/2"	3'-5"	64	3	3'-0 1/2"	31	1,136
6:1	4 1/2"	48"	4	4	40	2 1/2" x 1/2"	7'-4 1/8"	1,249	6	3" x 3" x 1/2"	4'-6 1/2"	256	2	3" x 3" x 1/2"	3'-11"	74	4	3'-10 1/2"	53	1,632

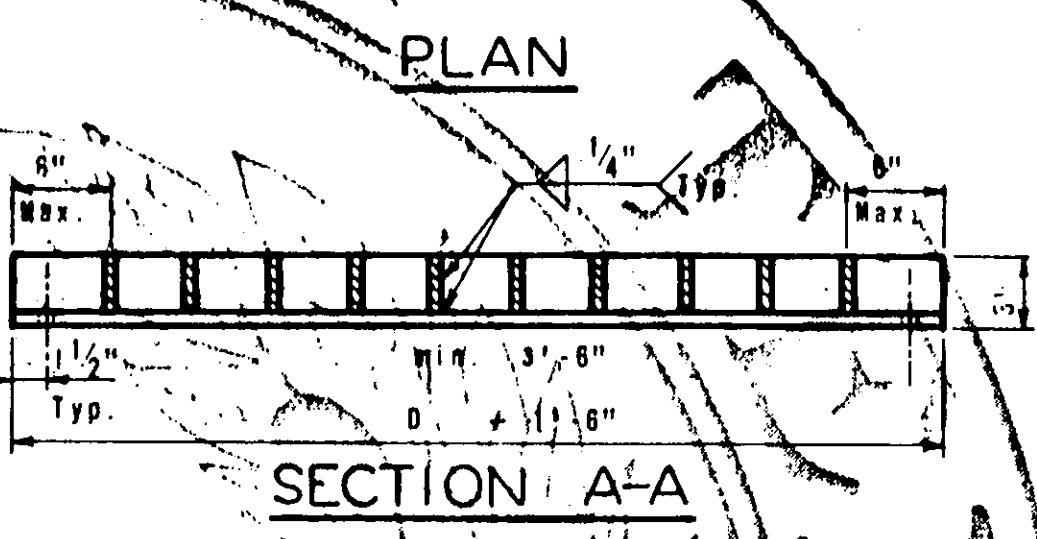
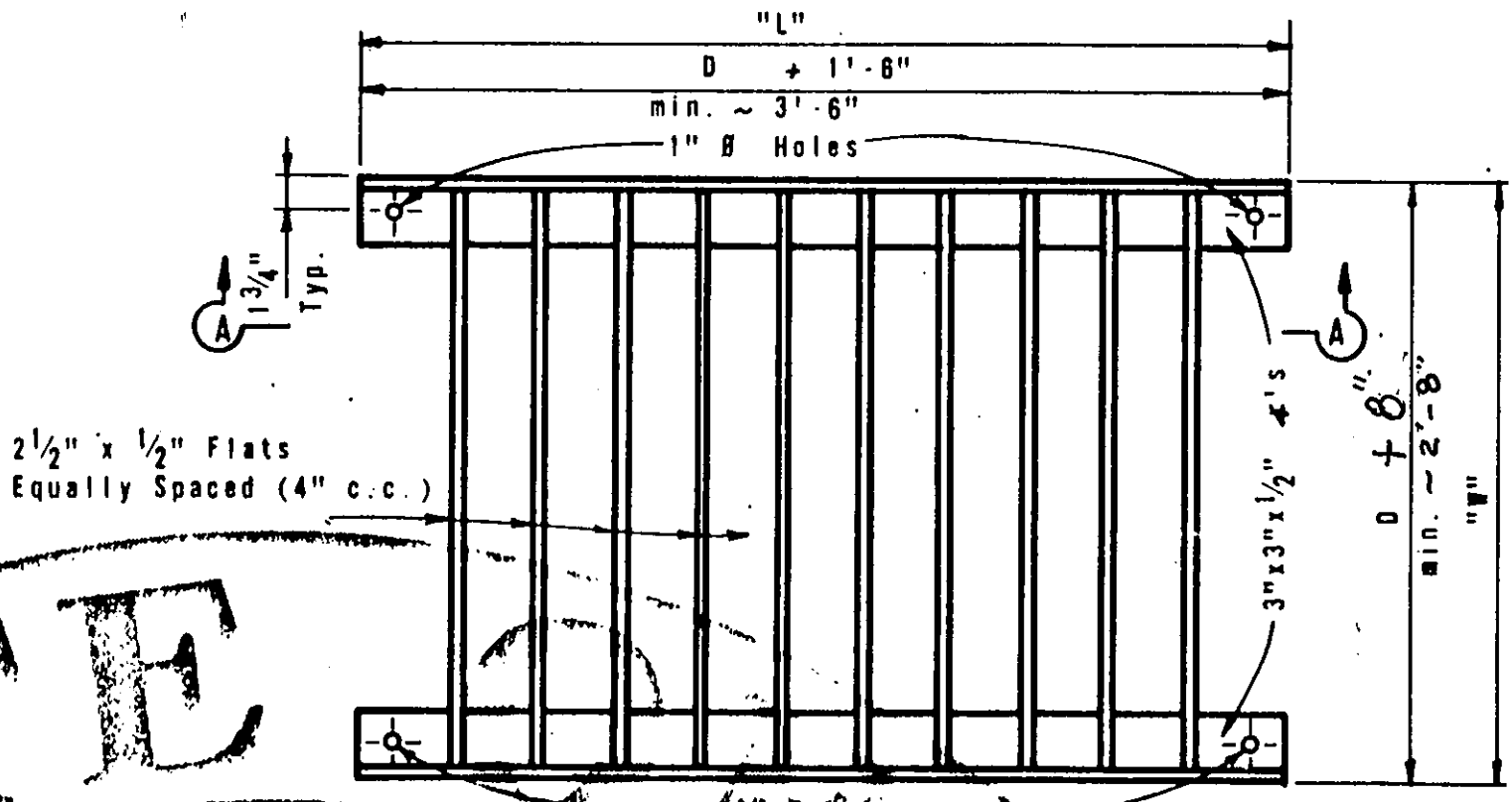
N = Number of grate units.
For pipe diameters of 21", 27", and 33" use grates for pipe diameters of 24", 30" and 36", respectively.



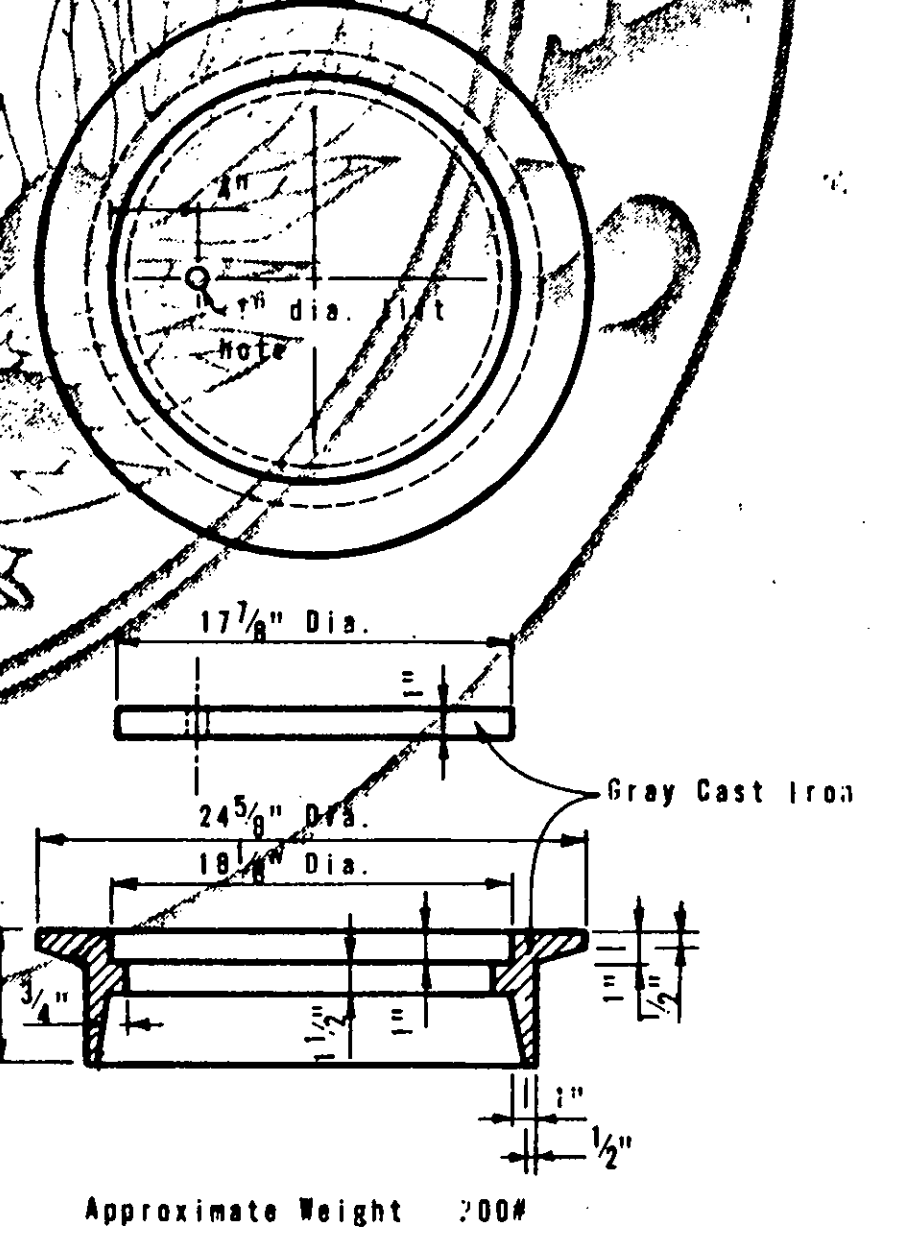
GRATE DETAILS FOR SLOPING INLET TYPE S



GRATE MOUNTING DETAIL

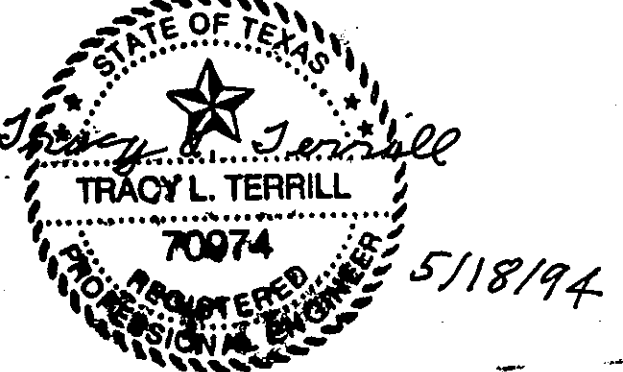


GRATE DETAILS FOR HORIZONTAL INLET TYPE H (MOD)



RING AND COVER DETAILS TYPE C

GENERAL NOTES
Structural Steel for grates shall conform to the requirements of ASTM Designation A-36 or AISI Designation #1010 - #1020.
Rings and covers of slightly different dimensions but approximately the same weight may be substituted if approved by the Engineer.



AS-BUILT
10-20-95

STATE DEPARTMENT OF HIGHWAYS AND PUBLIC TRANSPORTATION
GRATE (TYPE S),
GRATE (TYPE H)(MOD)
RING & COVER (TYPE C)
ILG-S ILG-H(MOD)RC-C

ORIGINAL DRAWING DATE: DEC. 1977	STATE FEDERAL DISTRICT REGION	FEDERAL AID PROJECT	SHEET
DM: ADC	REVISIONS	6	24
CK: THD	REV. 4-94 GRATE DIMENSIONS	COUNTY	CONTROL SECTION JOB
DM: MCB			
CK: THD			