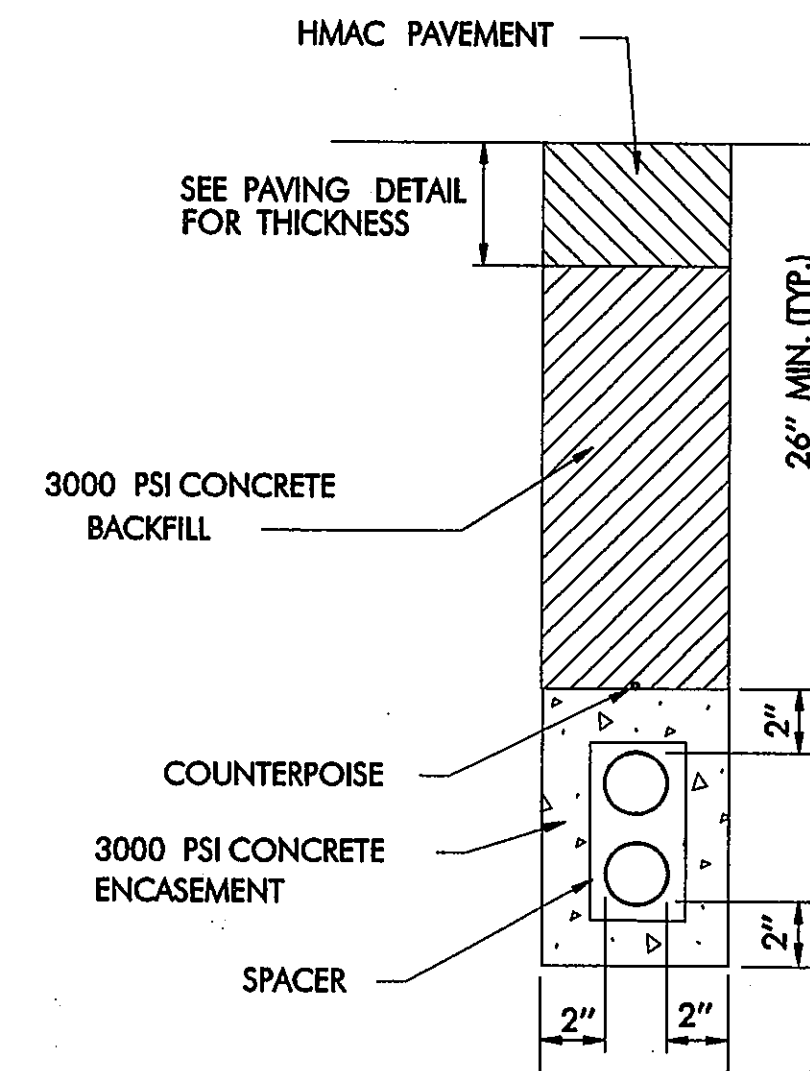


NOTE:
CONTRACTOR SHALL USE HEAT SHRINKABLE TUBING IN LIEU OF TAPE.
DIRECT FLAME HEATING OF HEAT SHRINKABLE TUBING WILL NOT BE PERMITTED.

CONNECTOR DETAIL

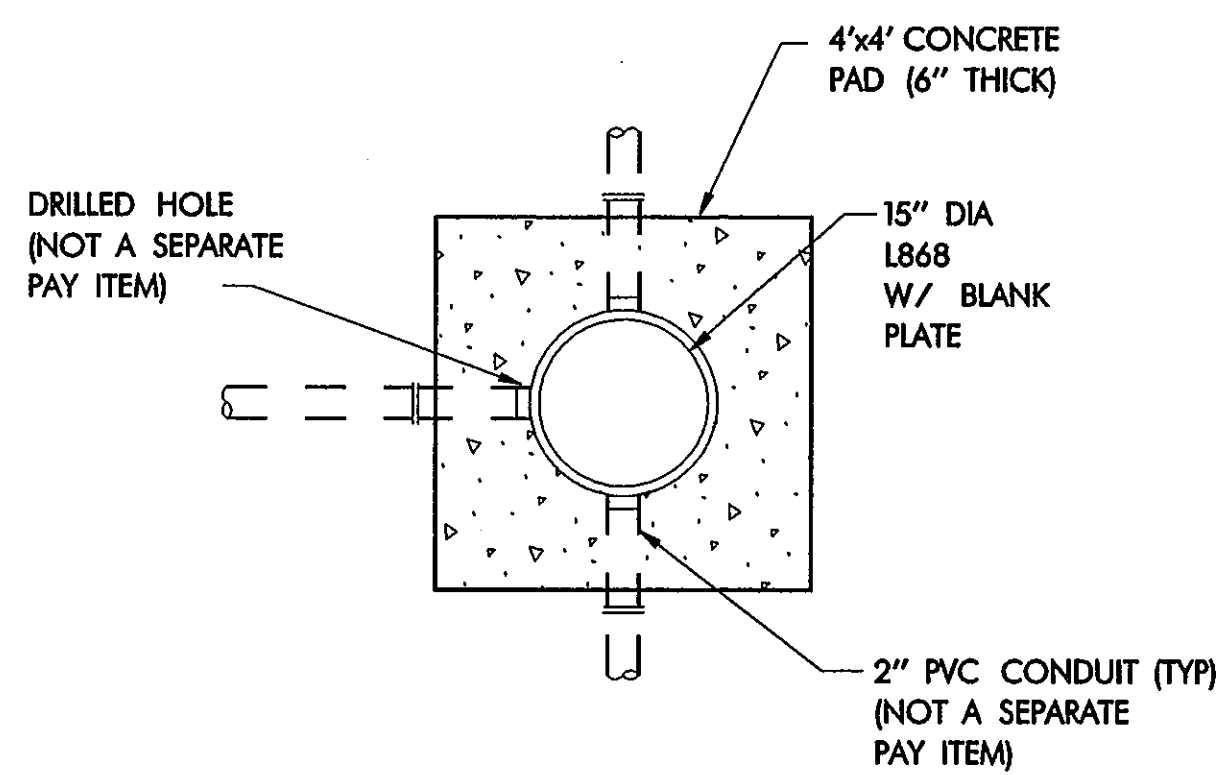
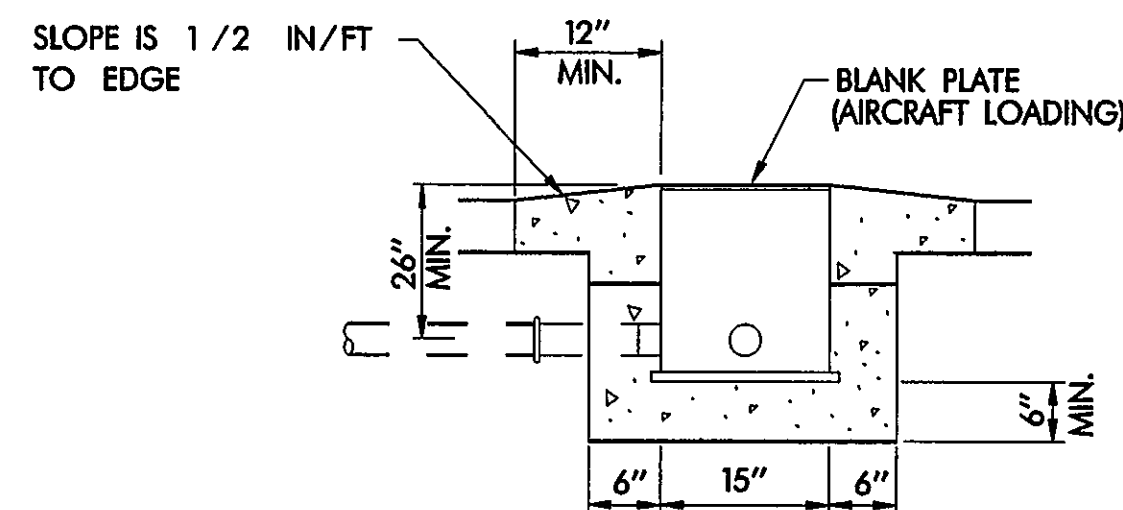
NOT TO SCALE



2-4" CONDUIT

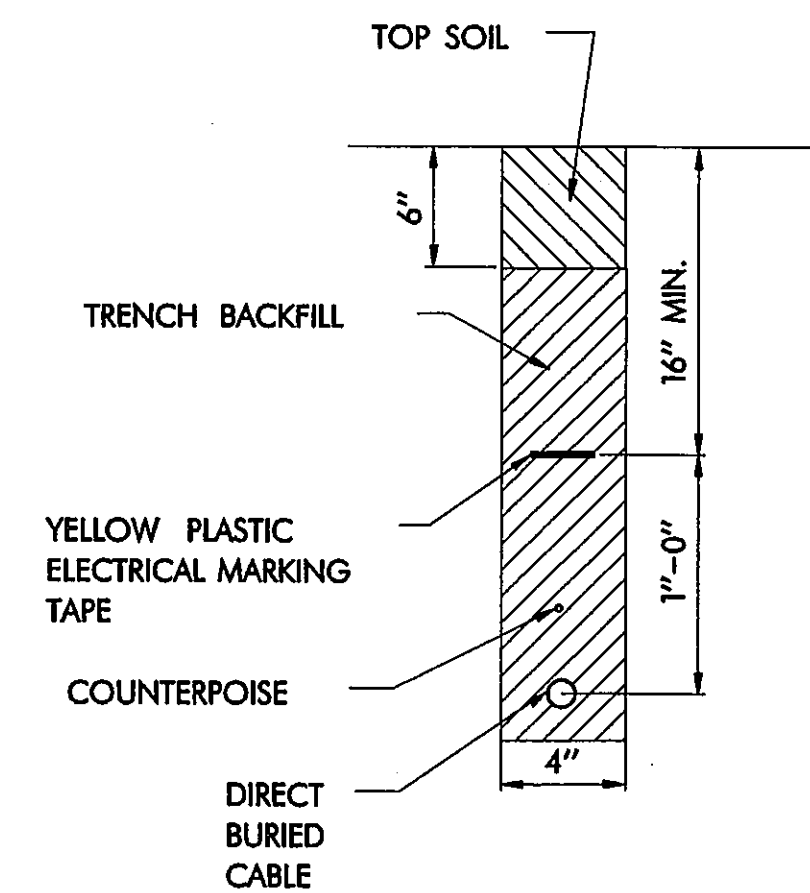
CONDUIT INSTALLATION DETAIL

NOT TO SCALE



PULLBOX DETAIL

NOT TO SCALE



DIRECT BURIED CABLE INSTALLATION

NOT TO SCALE

★ ALL DETAILS SHOWN ON THIS SHEET ARE INCIDENTAL TO VARIOUS BID ITEMS UNLESS NOTED OTHERWISE.

AS BUILT
OCT 20 1995



DESIGN: P. SRIBHEN, P.E.	A.I.P. NO. 3-48-0063-06			
DRAWN: PSA ENGINEERING	BID NO.: 94-33			
CHECKED: P. SRIBHEN, P.E.	JOB NO.: PSA 9402	Date	Revisions	By
SCALE:				

Greiner Fort Worth, Texas
Engineers, Architects and Planners



ADDISON AIRPORT

CABLE AND CONDUIT DETAILS

SHEET 36

DATE: APRIL 7, 1994