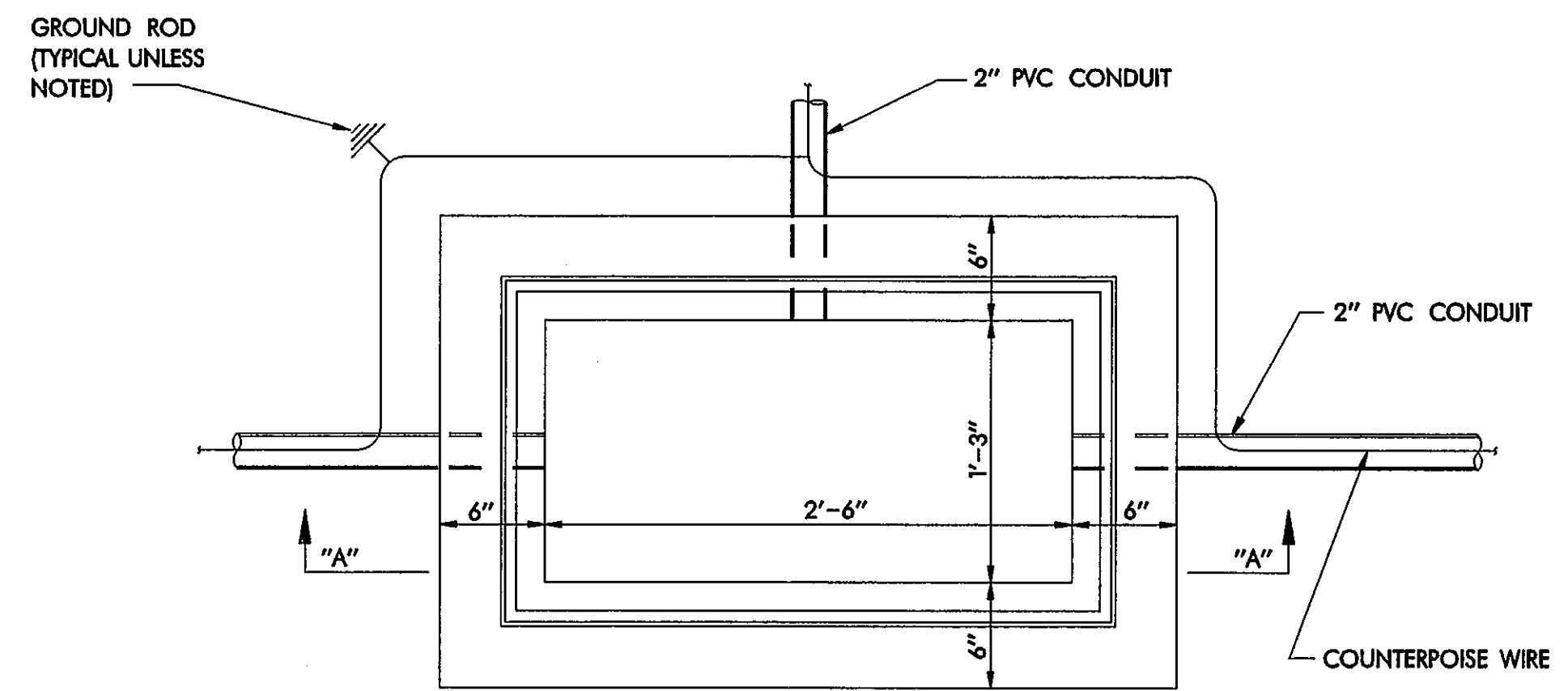


SECTION "A"-"A"

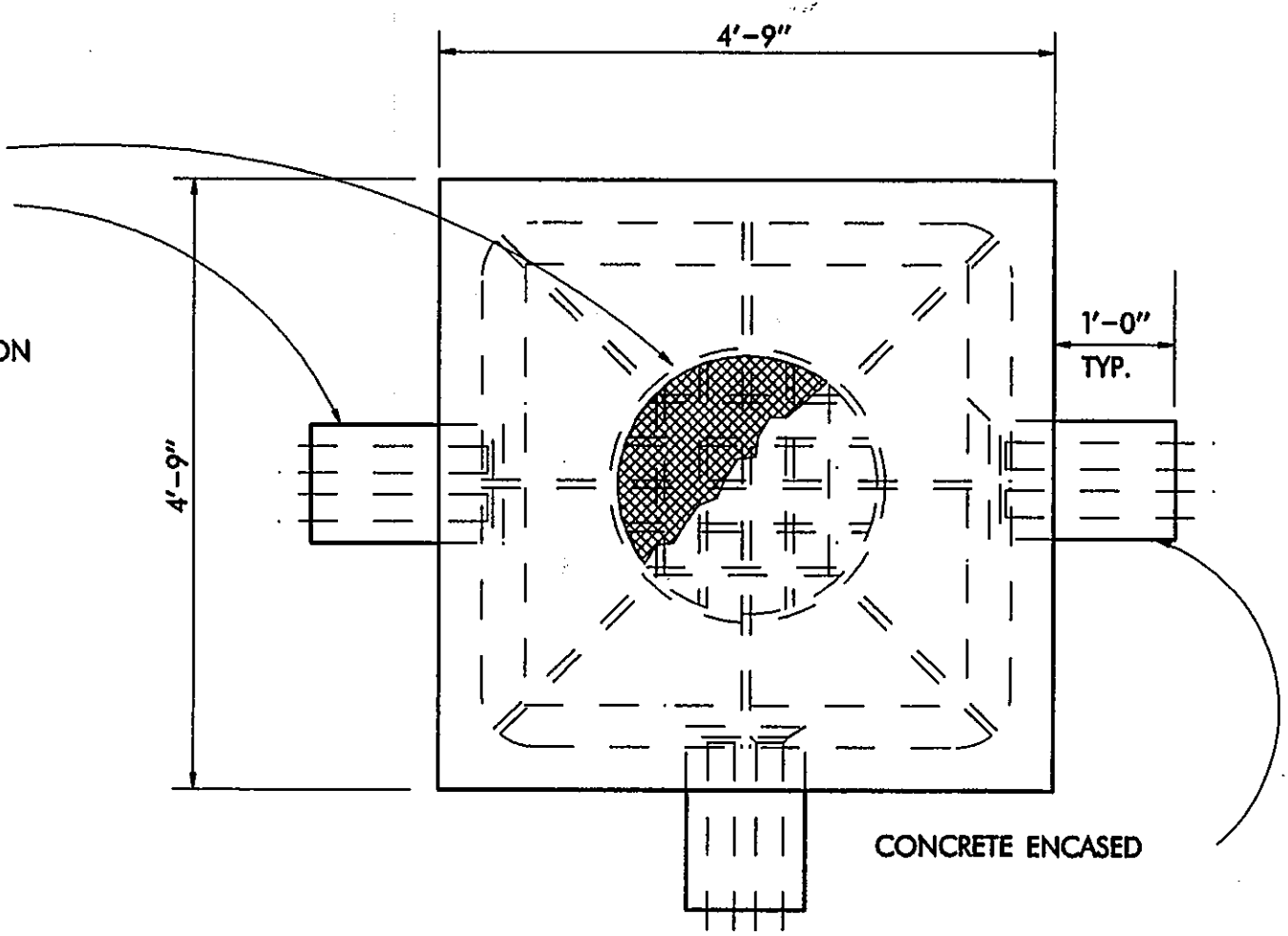


PLAN VIEW

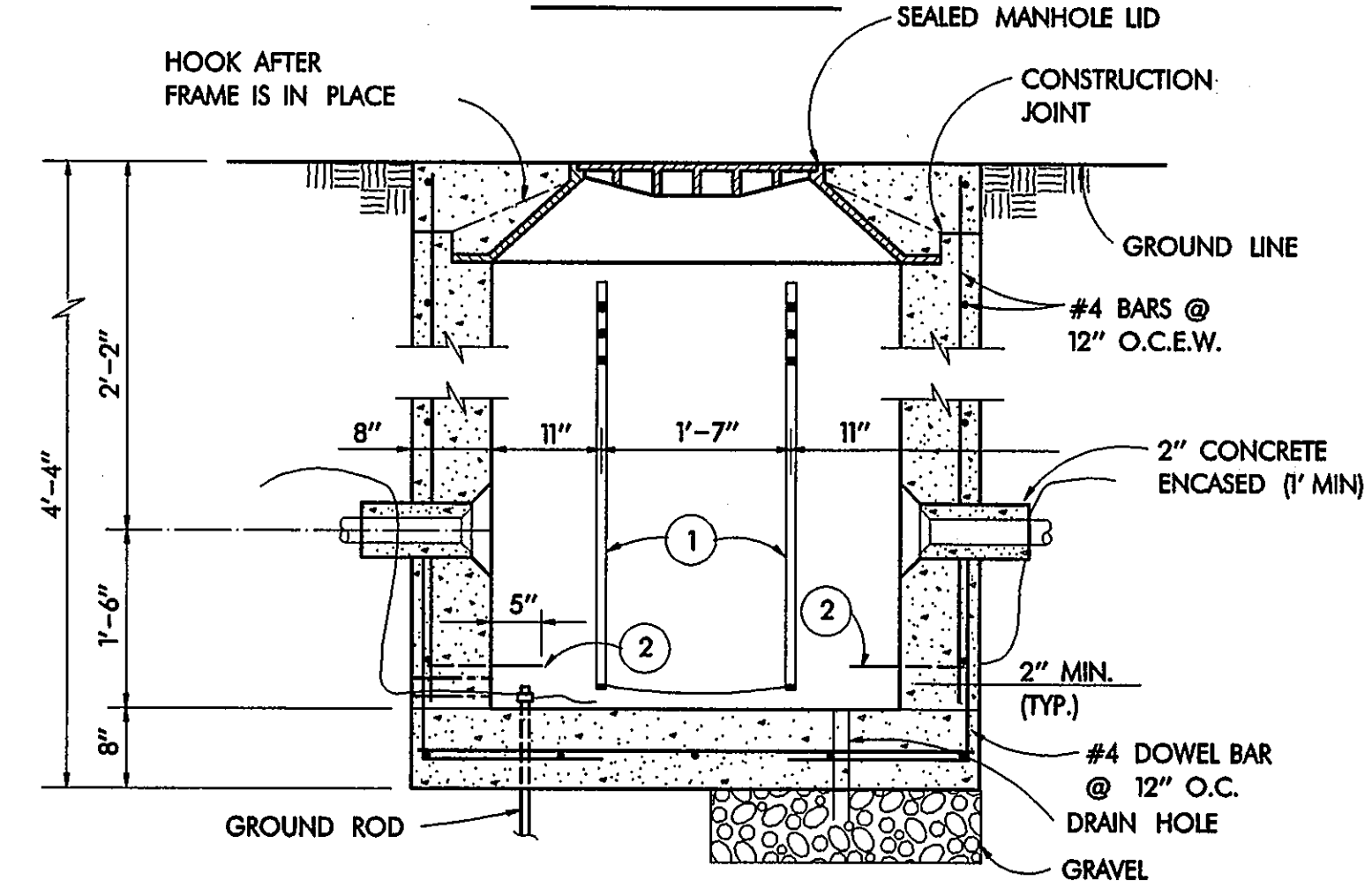
CONCRETE HANDHOLE DETAILS

NO SCALE

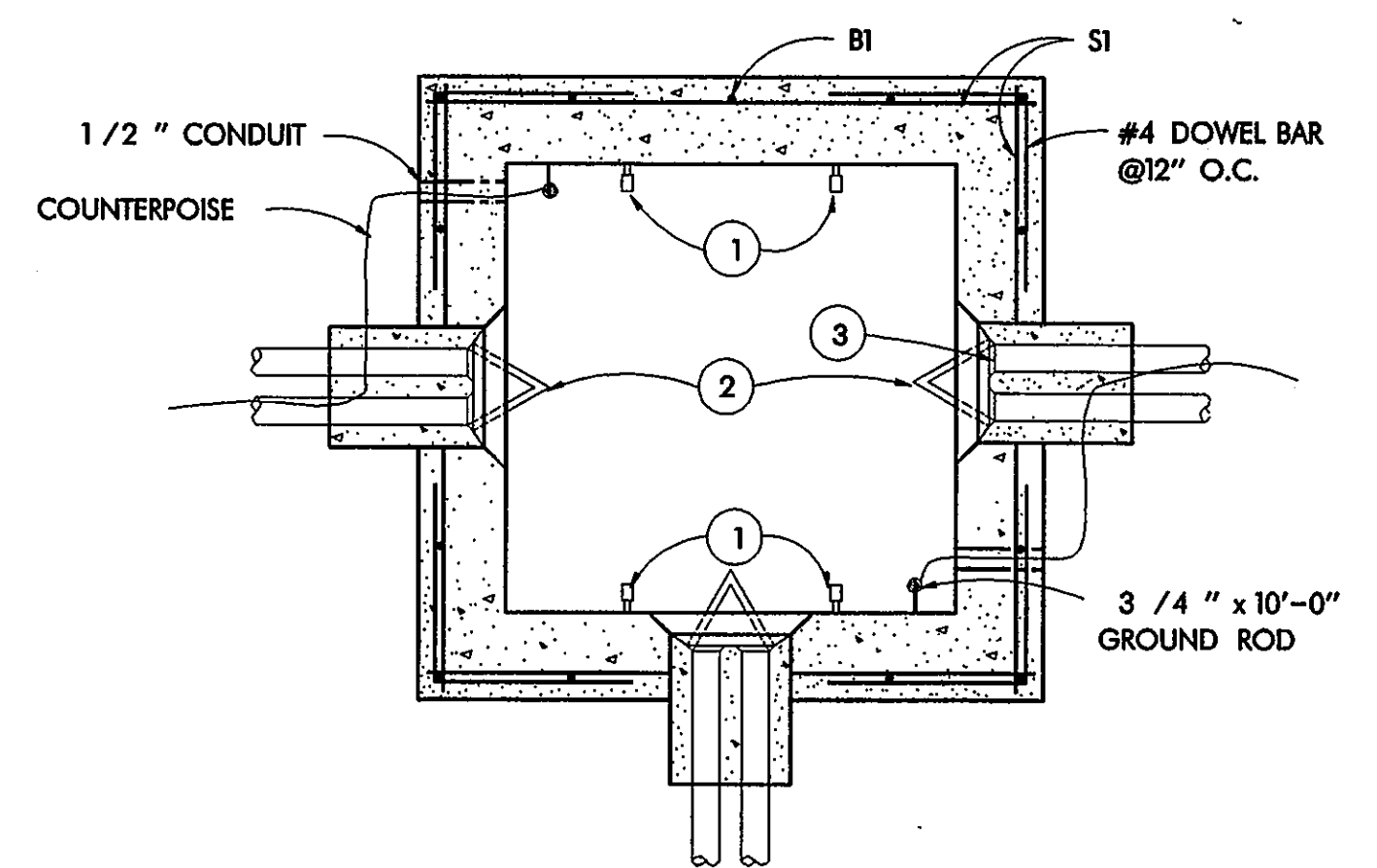
MANHOLE FRAME AND COVER - SEE MANHOLE NOTES
 CONTRACTOR TO FURNISH SHOP DRAWINGS SHOWING DETAILS OF CONDUIT ENTRANCE AT EACH LOCATION. (TYPICAL) CONDUIT ENTRANCES SHOWN ON PLAN DRAWINGS



TOP VIEW



SECTION



PLAN VIEW

MANHOLE DETAIL

NOT TO SCALE

MANHOLE LEGEND

- 1 CABLE RACKS - JOSLYN # J-5126 OR EQUAL
CABLE HOOKS - JOSLYN # J-5131 OR EQUAL
LOCATION MAY VARY TO FIT LOCAL CONDITION.
- 2 PULLING-IN IRONS: INSTALL OPPOSITE CONDUIT ENTRANCE. POSITION BELOW LEVEL OF CONDUIT ENTRANCE.
- 3 TERMINATE ALL DUCTS IN LIGHT AND HEAVY DUTY MANHOLE WITH END BELLS.

MANHOLE NOTES

MANHOLE FRAME AND COVER SHALL BE HEAVY DUTY TYPE, AIRCRAFT LOADING, CAPACITY 110 PSI MIN., WEATHER SEALED.

DIAMETER OF MANHOLE CLEAR OPENING IS 30".

CASTING TO BE MADE GRAY CAST IRON CLASS 30 IN ACCORDANCE WITH FED. SPEC. QQ-1-652.

MANHOLE REINFORCING SCHEDULE				
	MARK	AMOUNT	SIZE	LENGTH
HEAVY DUTY BOX FOR PAVED AREA OR UNPAVED AREA	S1	24	#4	4'-6"
	B1	16	#4	4'-11"

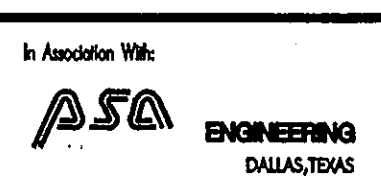
★ ALL DETAIL SHOWN ON THIS SHEET ARE INCIDENTAL TO VARIOUS BID ITEMS, UNLESS OTHERWISE NOTED.

AS BUILT
 OCT 20 1995



DESIGN: P. SRIBHEN, P.E.	A.I.P. NO. 3-48-0063-06			
DRAWN: PSA ENGINEERING	BID NO.: 94-33			
CHECKED: P. SRIBHEN, P.E.	JOB NO.: PSA 9402	Date	Revisions	By
SCALE:				

Greiner Fort Worth, Texas
 Engineers, Architects and Planners



ADDISON AIRPORT

MANHOLE AND HANDHOLE DETAILS