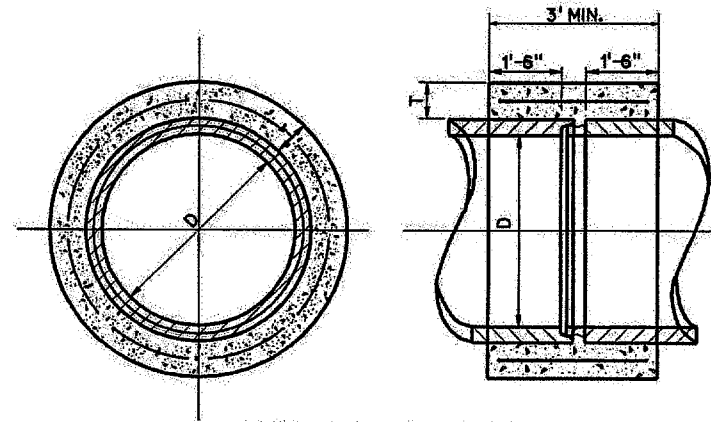


STORM SEWER TRENCH BEDDING DETAIL
NOT TO SCALE



PIPE COLLAR DETAIL
NOT TO SCALE

D IN	T IN	As *
12	6	18"
15	6	21"
18	6	24"
24	6	30"
30	6	42"
36	6	48"
42	6	54"
48	9	60"
54	9	66"
60	9	72"
66	9	78"
72	12	84"
78	12	90"
84	12	96"
96	12	108"

* STEEL CAGE REQUIRED FOR COLLAR IS EQUIVALENT TO CAGE USED IN PIPE SIZE AS SHOWN IN COLUMN AS AND FOR SAME CLASS OF PIPE USED.

AS BUILT PLANS

13-jun-2008 10:54
G:\15601\Cad\Sheets\tsd04.dgn

NO.	DATE	REVISION	APPROV. NO.	DATE	REVISION	APPROV.

THE SEAL APPEARING ON THIS DOCUMENT WAS AUTHORIZED BY J.S. NICEWANDER, P.E. 87843 ON OCTOBER 26, 2007.



HNTB HNTB Corporation
The HNTB Companies
Engineers, Architects, Planners

DESIGN CHECK: JSH, MAH
DRAWN CHECK: CCH, MAH
DATE: SEPTEMBER 2007
SCALE:

PROJECT NO. 45601



TOWN OF ADDISON	SHEET 25 OF 28
TAXIWAY SIERRA	
DRAINAGE DETAILS	25
TOWN OF ADDISON, TEXAS	DT-4