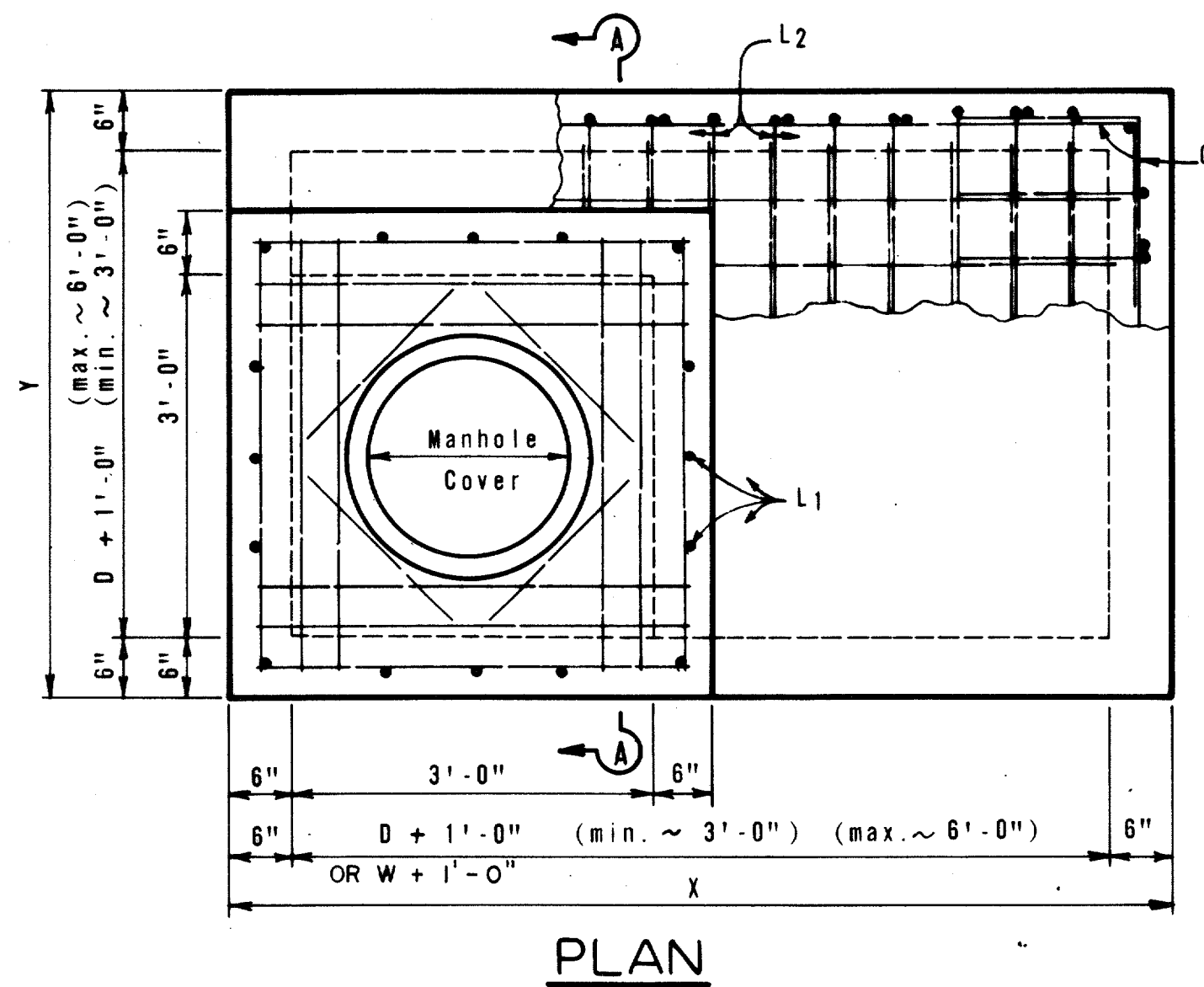
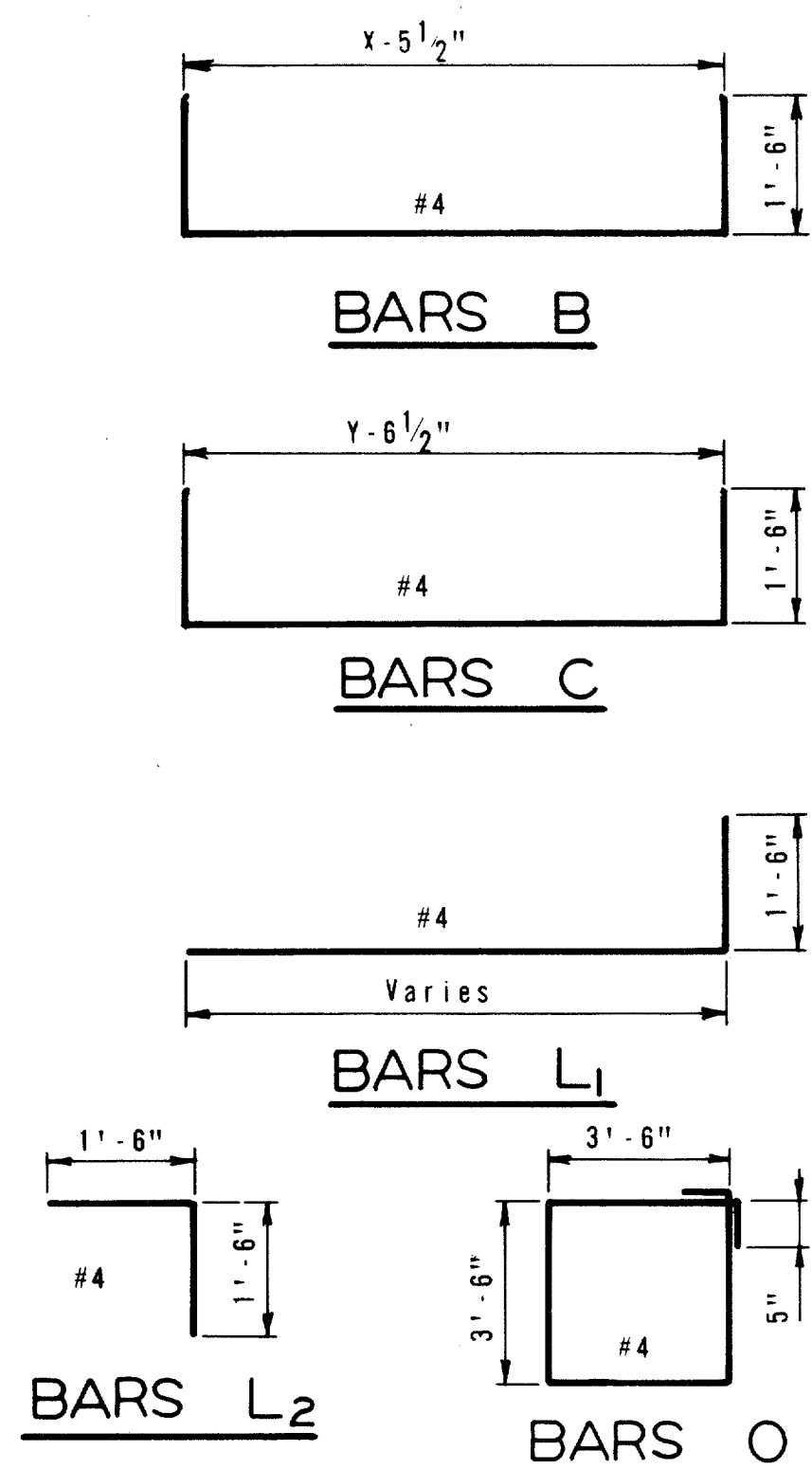


Note: Riser, either cast-in-place or concrete pipe, may be located in any corner.

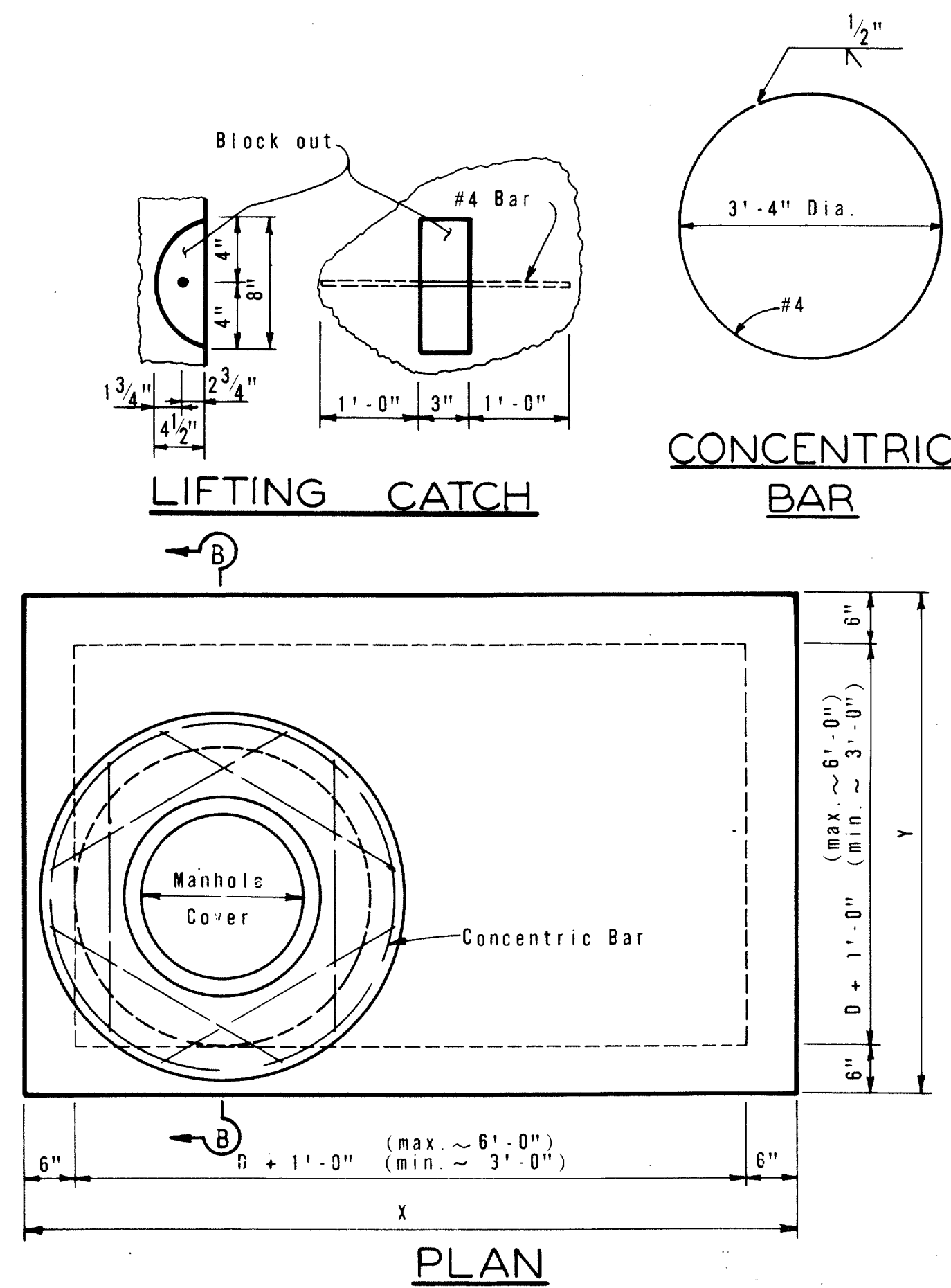


PLAN



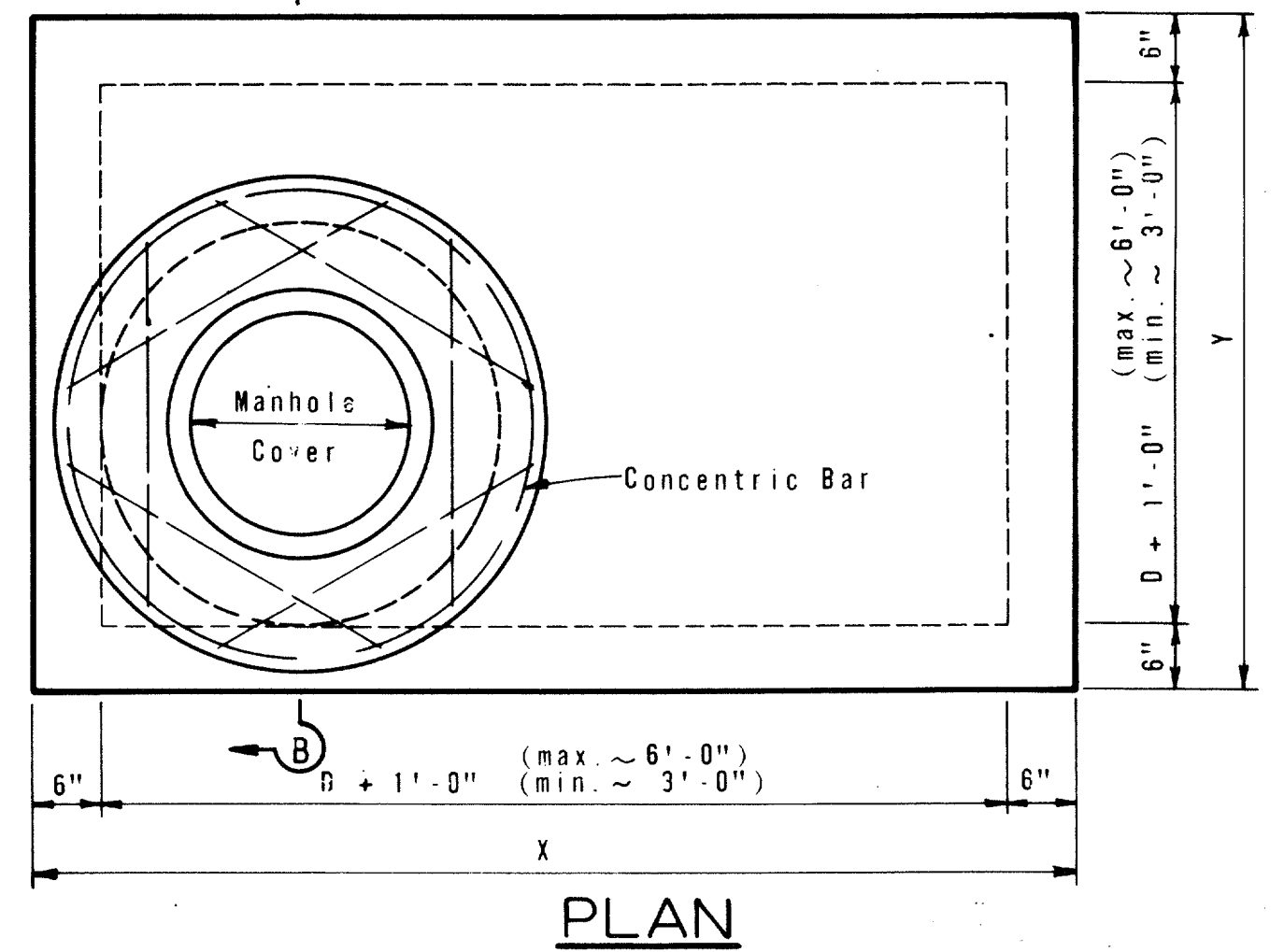
BARS L₂

BARS O

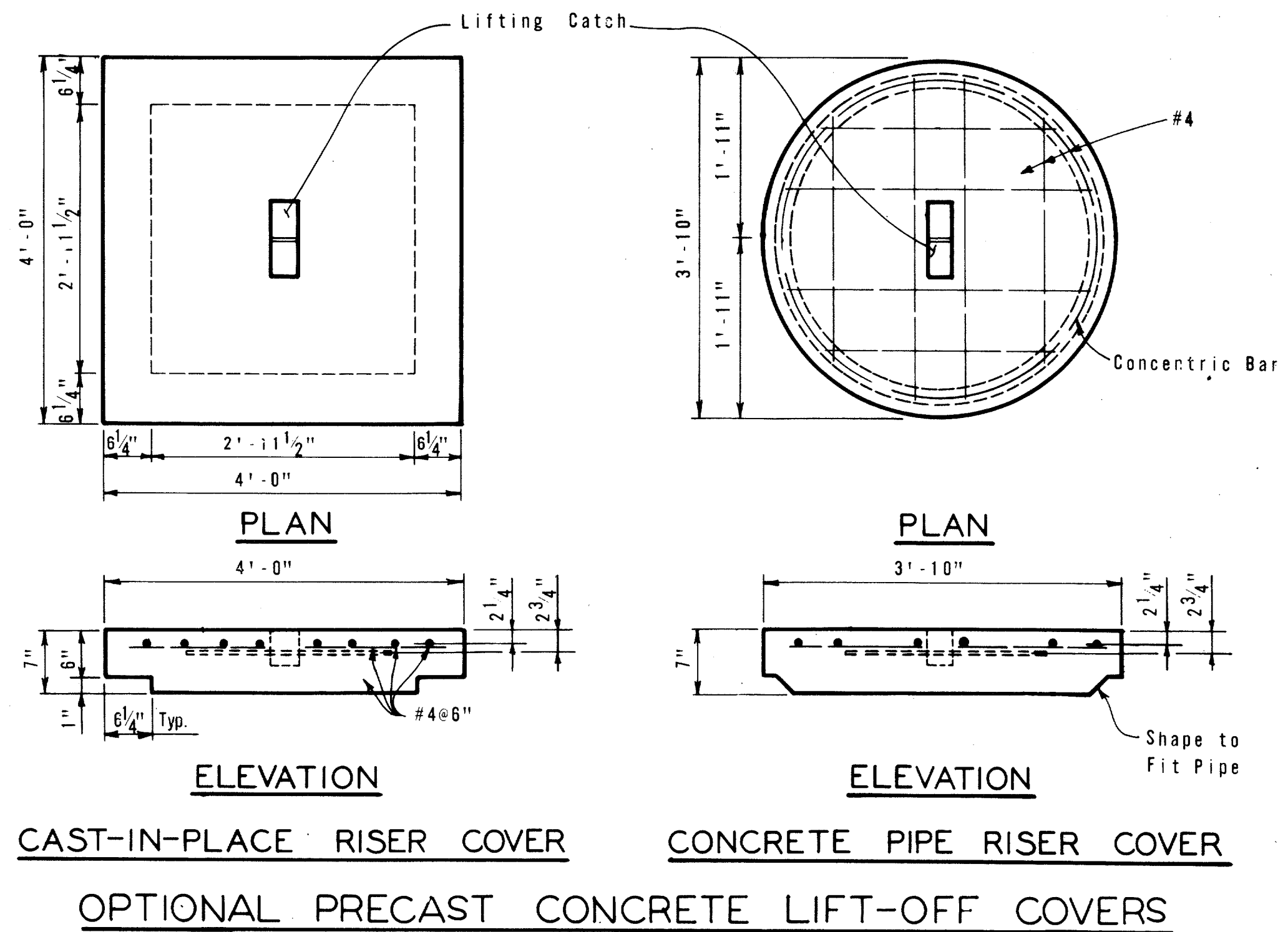


LIFTING CATCH

CONCENTRIC BAR



PLAN



PLAN

PLAN

ELEVATION

ELEVATION

CAST-IN-PLACE RISER COVER

CONCRETE PIPE RISER COVER

OPTIONAL PRECAST CONCRETE LIFT-OFF COVERS



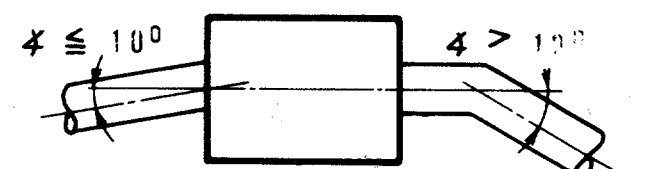
GENERAL NOTES

Unless otherwise shown in the plans, payment will be made for each Manhole of the Type M.
Exposed edges shall be chamfered 3/4".
The Contractor may propose alternate procedures for the construction of Manholes, including precast units. Plans for such proposed alternates shall be submitted to the Engineer for review and approval before construction.

In areas of conflict between reinforcing steel, block-outs, pipes, anchor bolts or other reinforcing steel, the reinforcement shall be bent or adjusted to clear as directed by the Engineer.

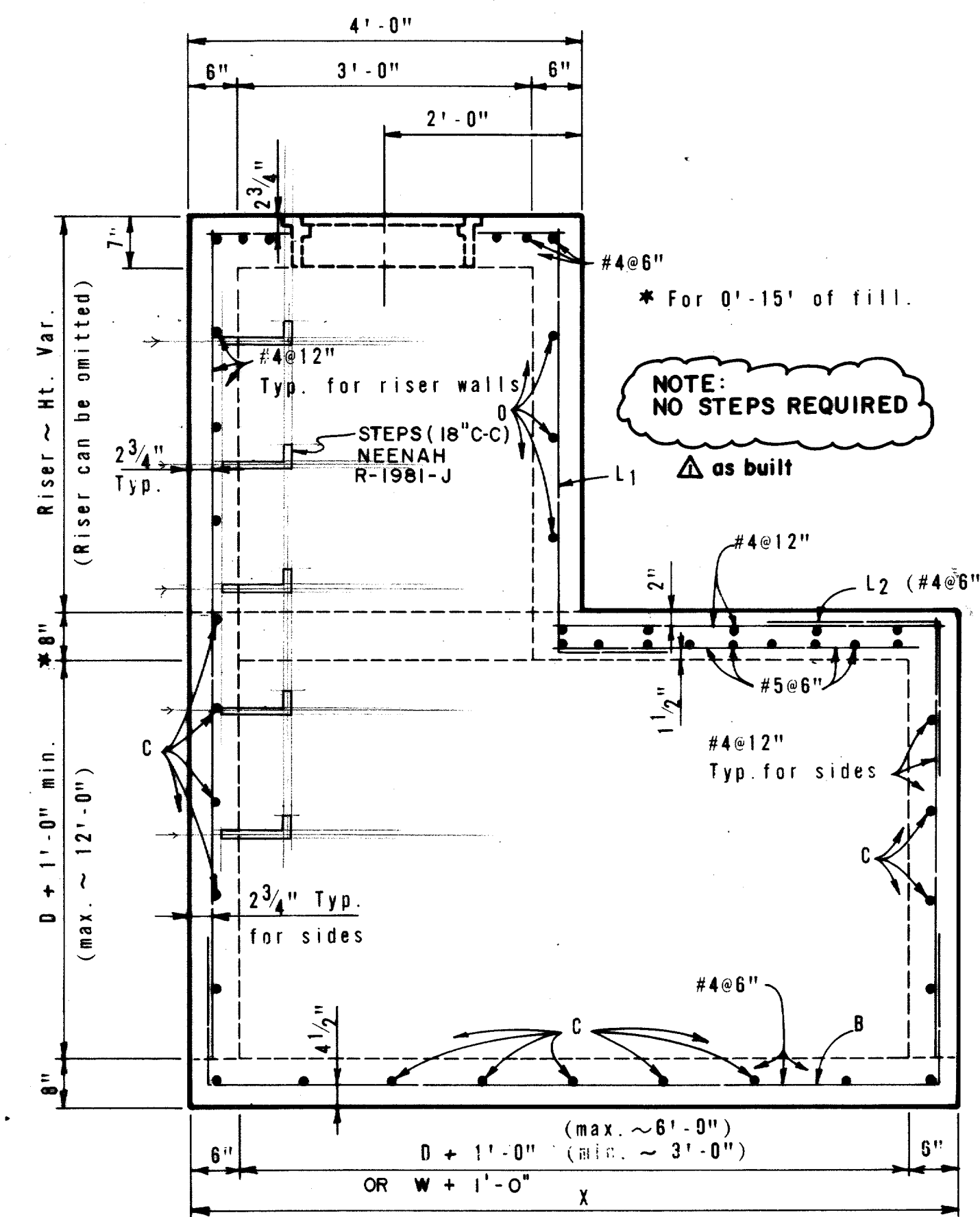
The riser may be constructed of reinforced concrete as shown or of Reinforced Concrete Pipe, Class III, in accordance with ASTM Designation C-76. If pipe is used, joints shall conform to the item "Reinforced Concrete Pipe C-verts". Precast Concrete Lift Off Cover may be substituted for "Ring and Cover".

Connecting pipes should enter within 10° of normal to inlet wall. If necessary, pipe elbow or curved approach alignment should be used to stay within this limit.



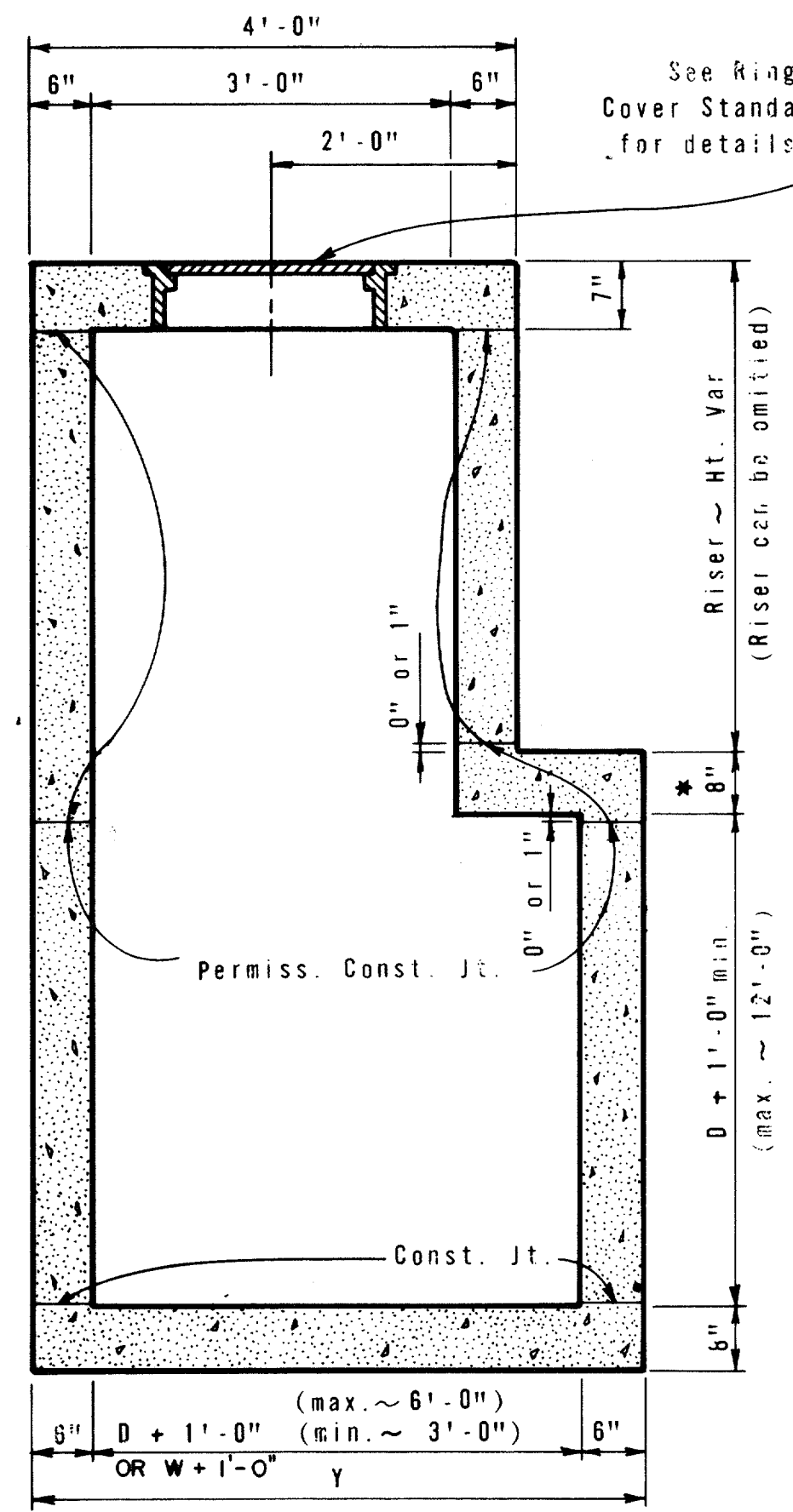
Pipes may enter any or all walls. The maximum size of pipe that can be accommodated is 60". More than one pipe may enter a side, subject to the maximum box dimensions shown. The clear distance between adjacent pipes should be 9" minimum.

AS BUILT
1-11-99

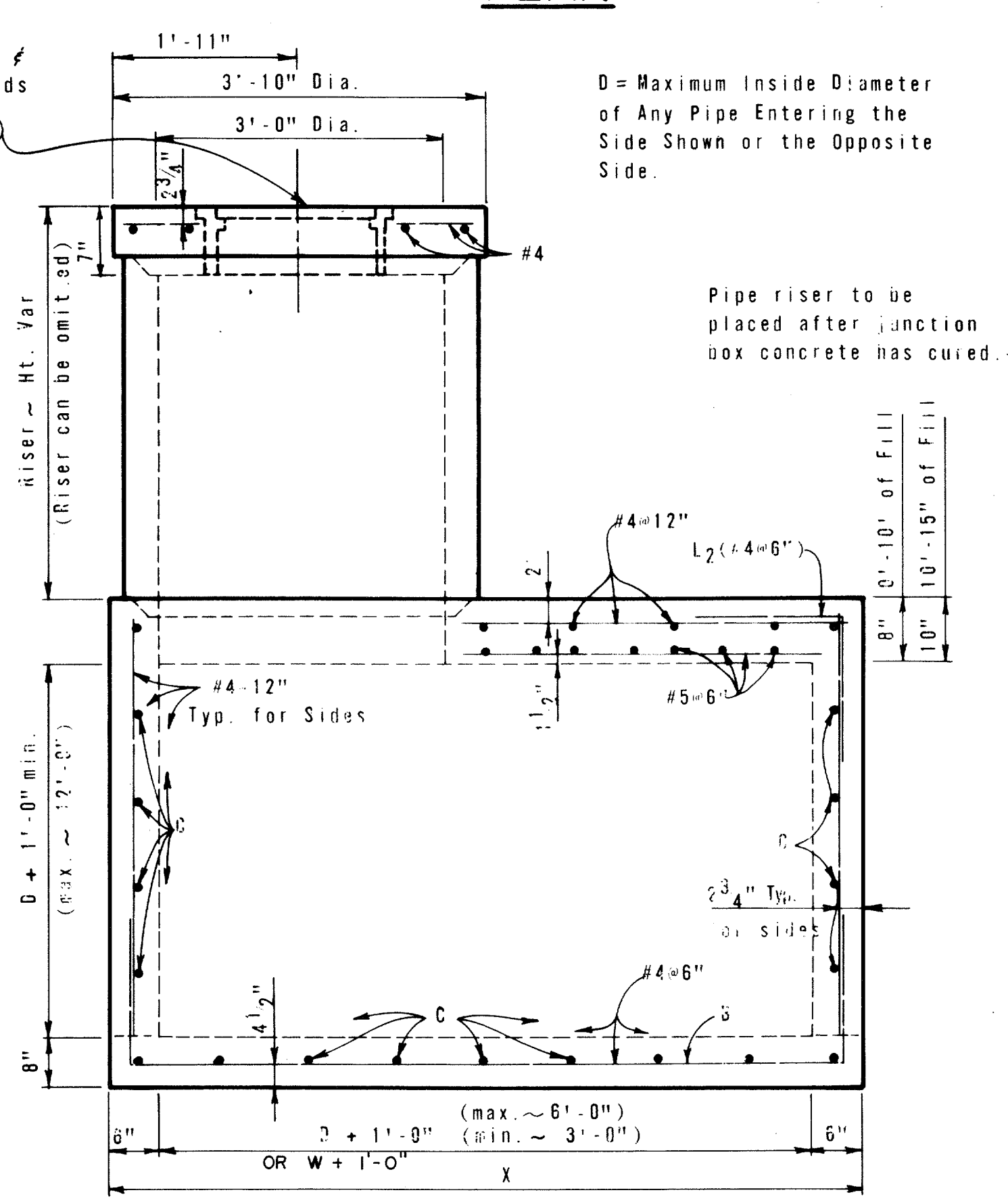


ELEVATION

MANHOLE WITH CAST-IN-PLACE RISER

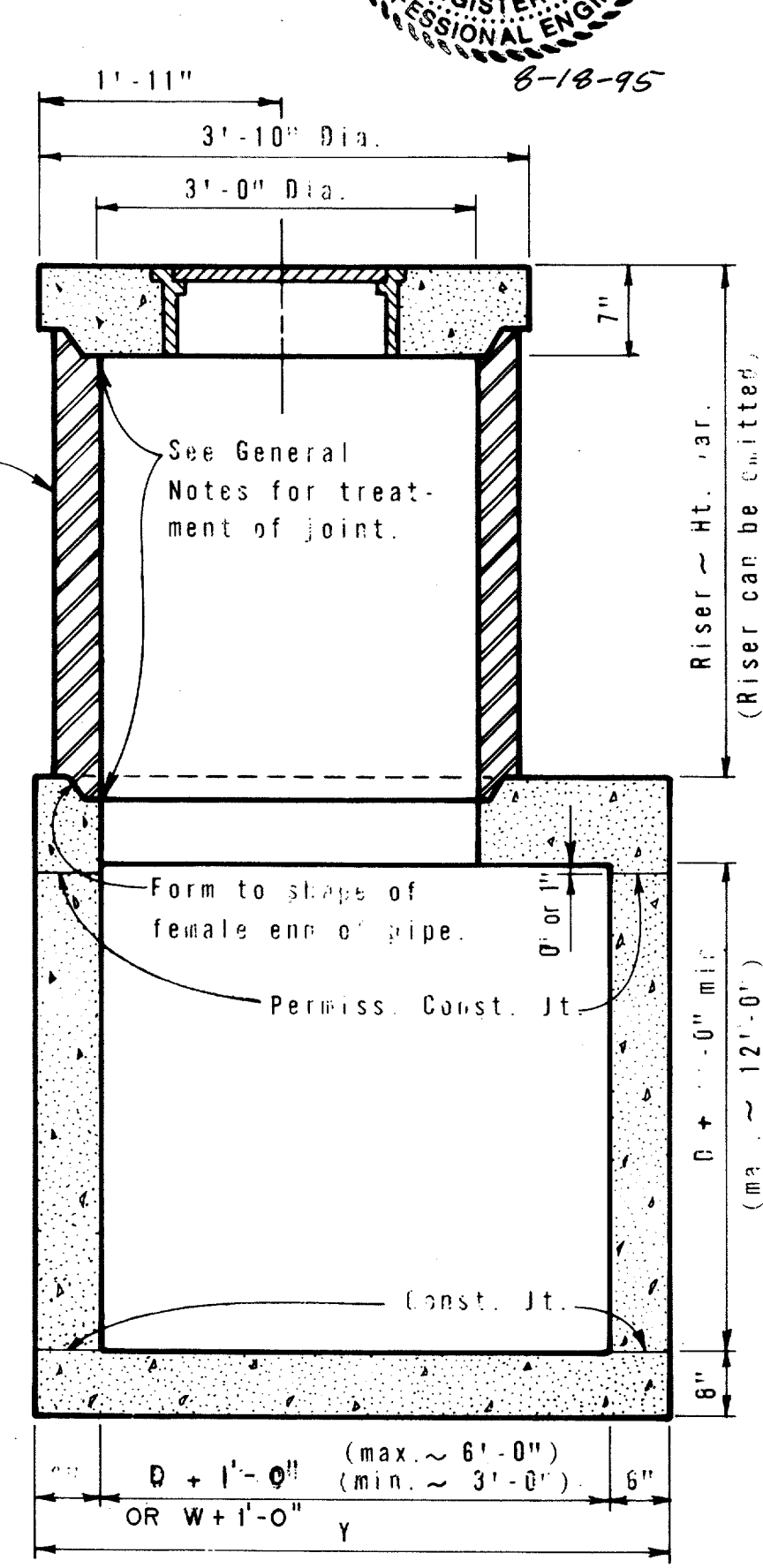


SECTION A-A



ELEVATION

OPTIONAL MANHOLE WITH PIPE RISER



SECTION B-B



STATE DEPARTMENT OF HIGHWAYS AND PUBLIC TRANSPORTATION

MANHOLE TYPE M
(JUNCTION BOX WITH ACCESS)

MH-M

ORIGINAL DRAWING DATE: DEC. 1977	STATE DISTRICT: 6	FEDERAL AID PROJECT:	SHEET: 25
REVISIONS:	COUNTY:	CONTROL SECTION:	JOB:
DN: ADC			
CK: THD			
DW: MGB			
CK: THD			