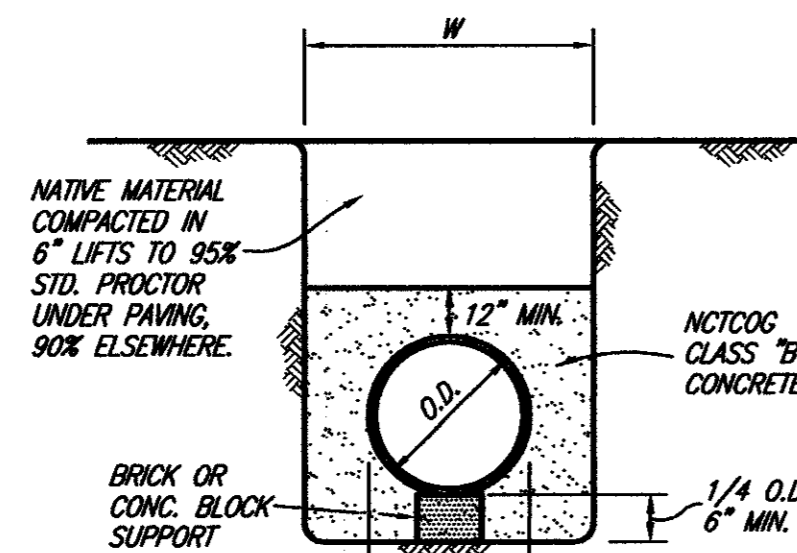


CLASS B-1 EMBEDMENT

P.V.C. PIPE ONLY
STD. P.V.C. WATER

EMBEDMENT NOTES:

- DEPTH OF TRENCH BELOW PIPE:
- 3" MIN. FOR 27" PIPE & SMALLER
- 4" MIN. FOR 30" TO 60" PIPE
- 6" MIN. FOR 66" PIPE & LARGER
- MAXIMUM TRENCH WIDTH ("W")
SHALL BE 24" PLUS O.D.
FOR PIPE < 36" I.D. AND
36" PLUS O.D. FOR PIPE > 36" I.D.

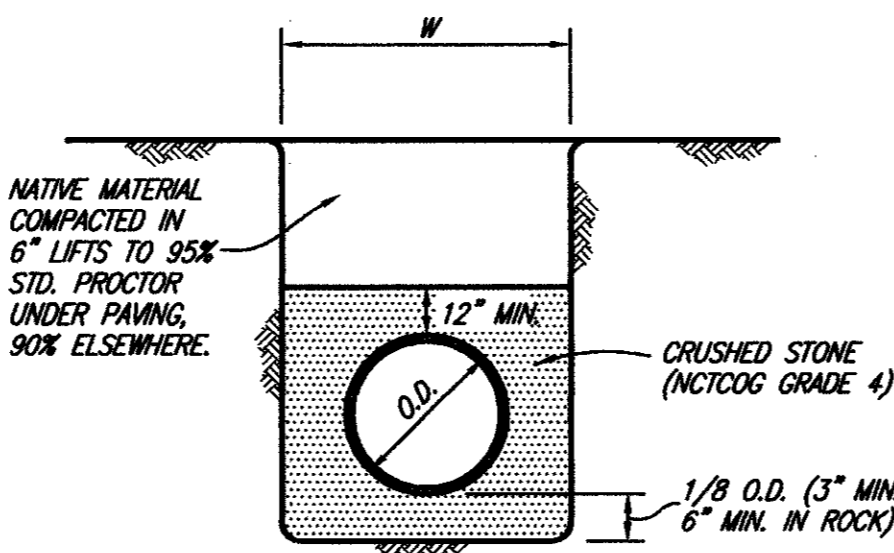


CLASS G EMBEDMENT

CONCRETE ENCASUREMENT

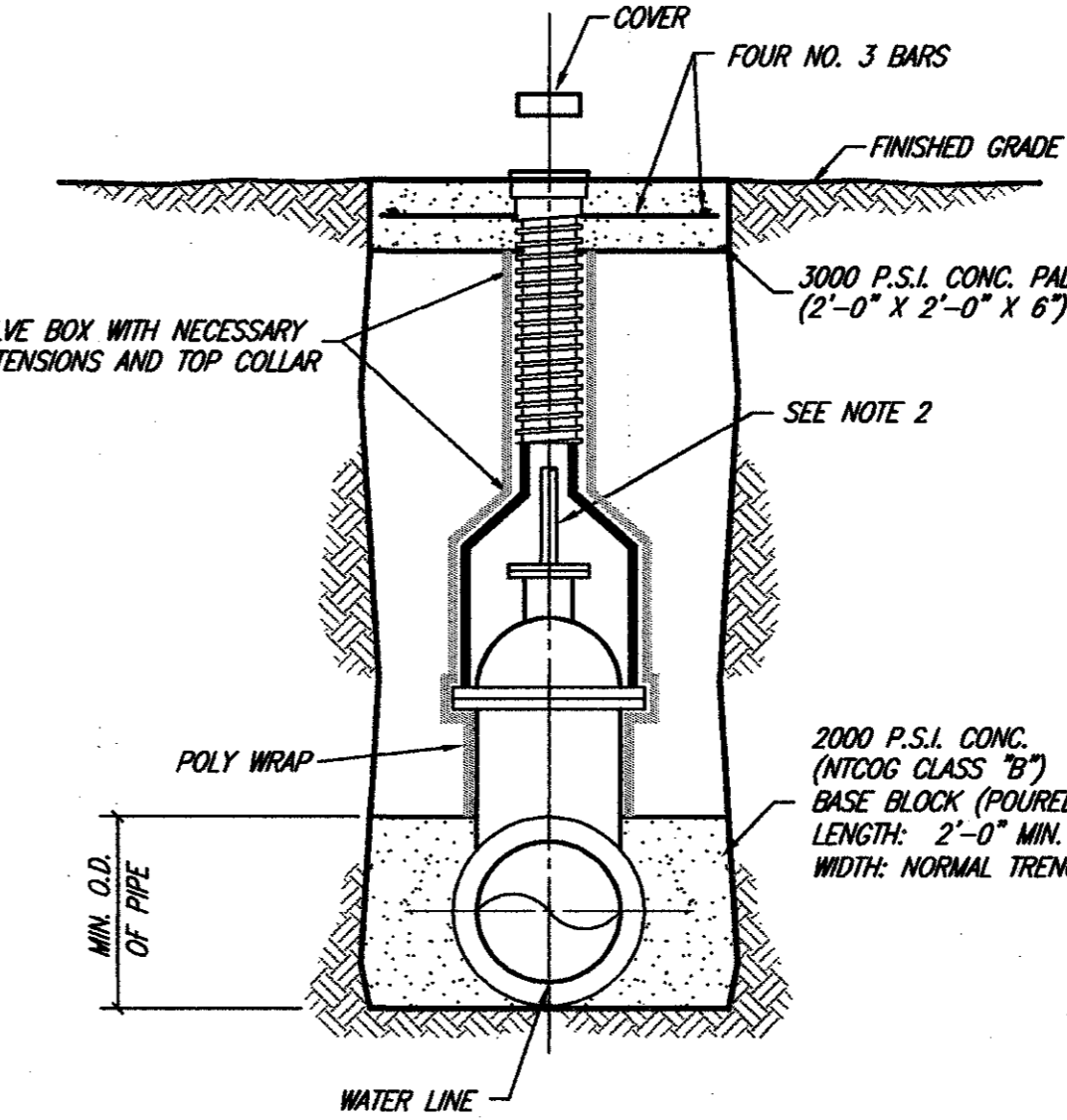
NCTCOG GRADE 4 CRUSHED STONE:

SIEVE SIZE	PERCENT RETAINED
1/2"	0%
1"	0-5%
1/2"	40-75%
NO. 4	90-100%
NO. 8	95-100%



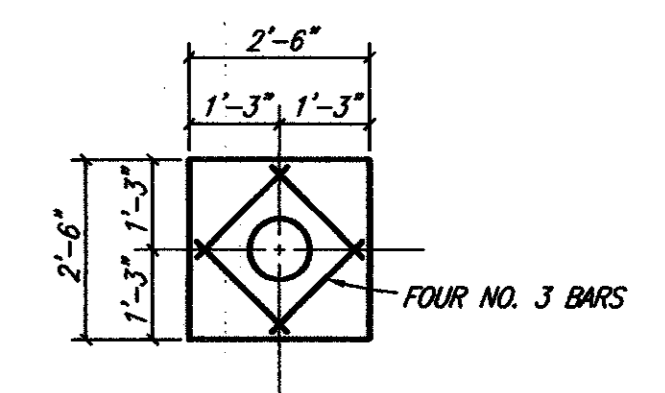
CLASS H EMBEDMENT

P.V.C. PIPE ONLY
STD. P.V.C. SEWER



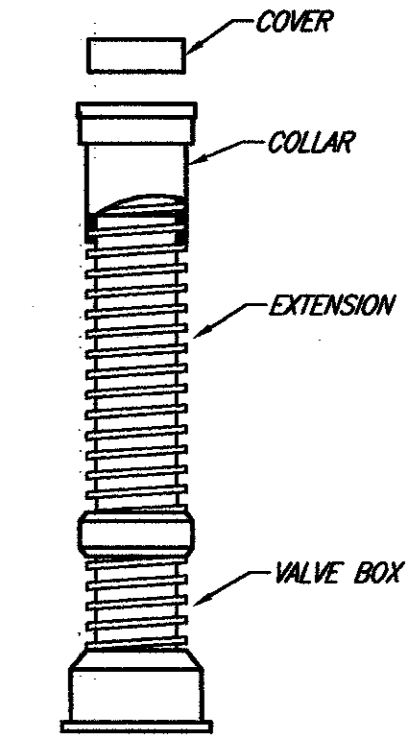
VALVE SETTING & BOX

NO SCALE



VALVE BOX PAD PLAN

NO SCALE

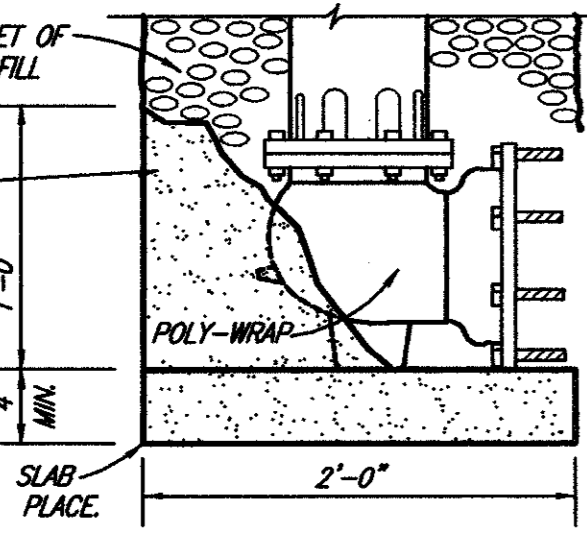
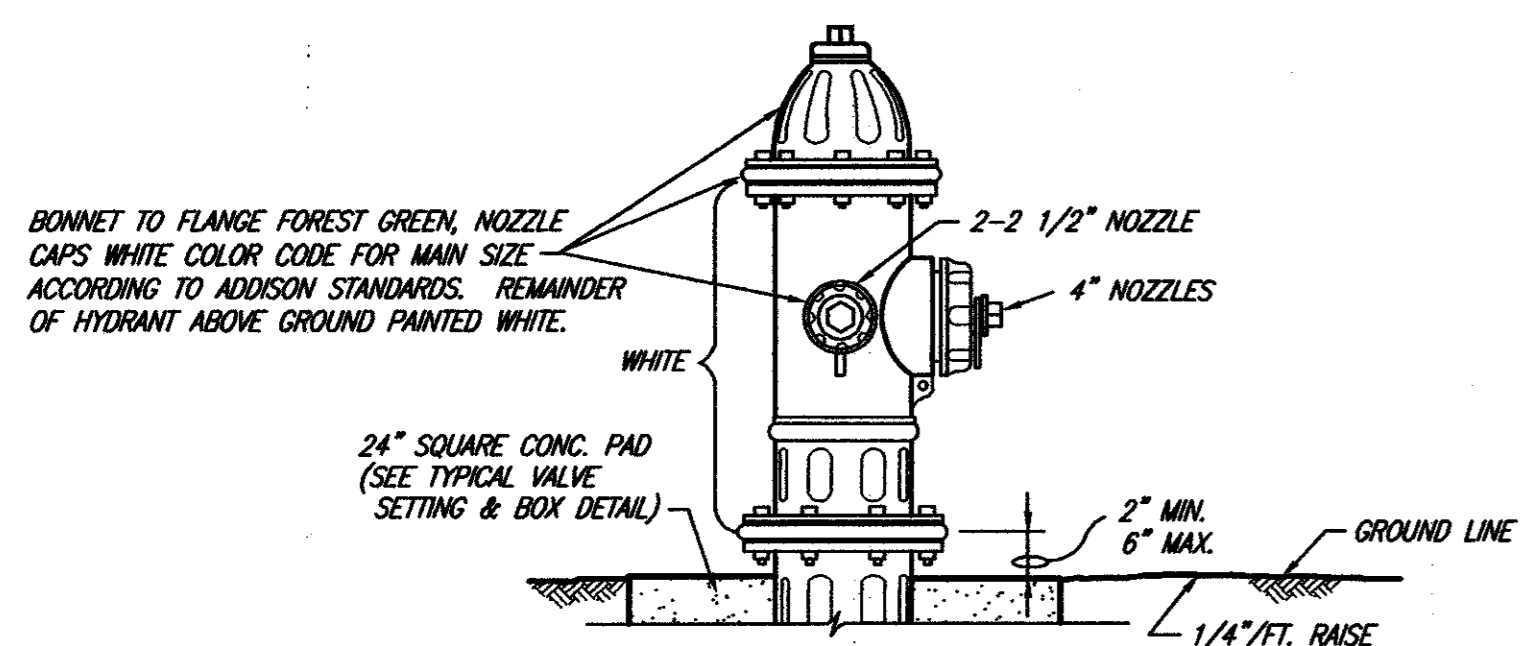


VALVE BOX WITH EXTENSION

NO SCALE

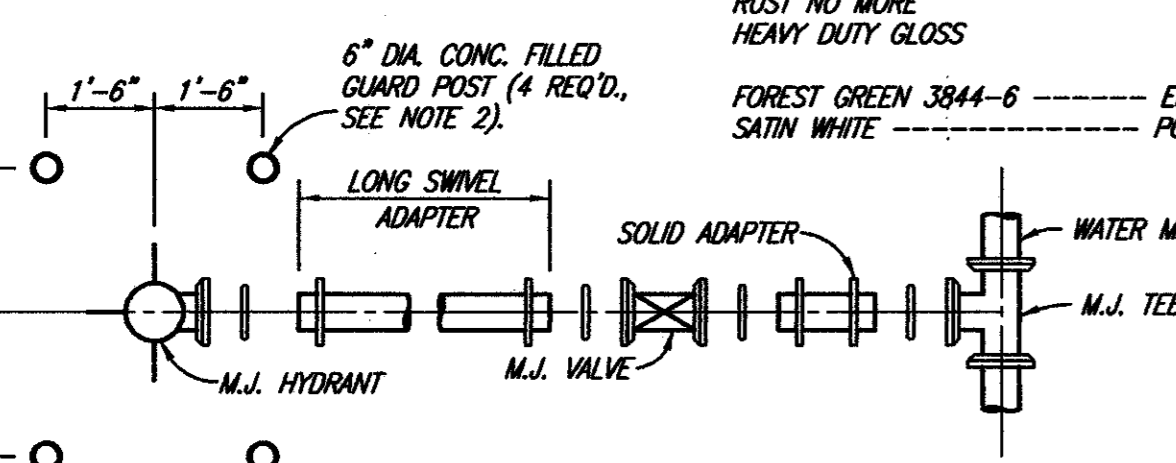
WATER VALVE NOTES:

- 4" TO 12" GATE VALVE SHALL BE RESILIENT SEATED WEDGE GATE VALVES ACCORDANCE WITH AWWA STANDARD C-508.
- A PERMANENTLY ATTACHED VALVE EXTENSION STEM SHALL BE REQUIRED FOR ANY VALVE WHOSE OPERATING NUT IS LOCATED IN EXCESS OF 4 FEET BELOW THE TOP OF VALVE BOX. THIS EXTENSION SHALL BE OF SUFFICIENT LENGTH TO INSURE THAT ITS TOP IS WITHIN 4" OF THE VALVE BOX COVER.
- VALVE SHALL BE WRAPPED IN POLY WRAP.



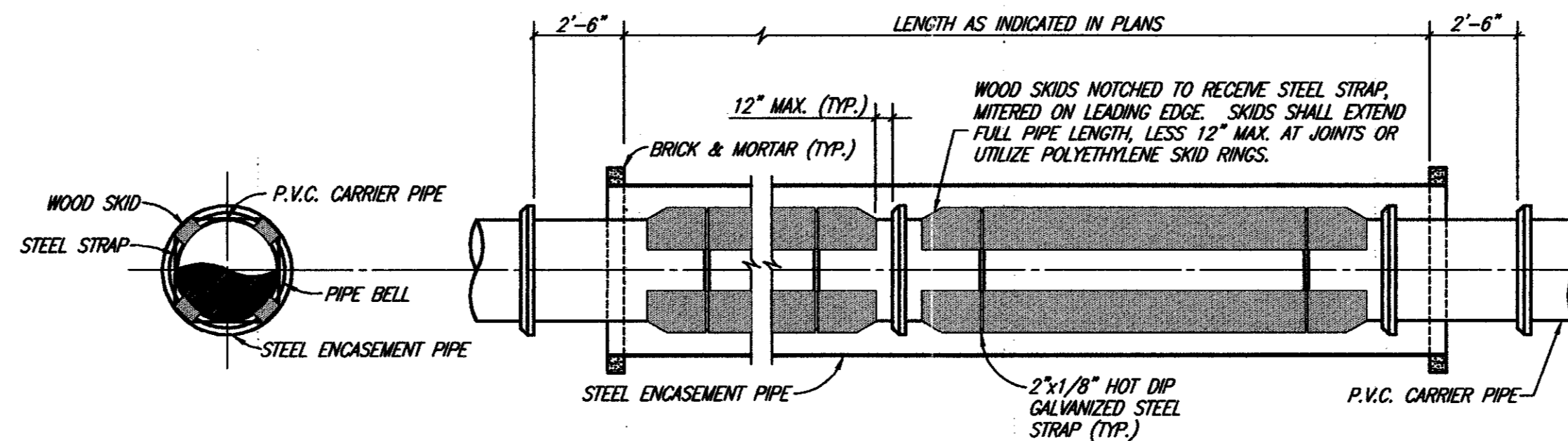
FIRE HYDRANT NOTES:

- IN GENERAL ALL FIRE HYDRANTS SHALL CONFORM TO AWWA STANDARDS SPECIFICATIONS FOR FIRE HYDRANTS FOR ORDINARY WATER WORKS SERVICE FOR WATER AND SANITARY SEWER IMPROVEMENTS. FIRE HYDRANTS SHALL HAVE A 5-1/4" MINIMUM VALVE OPENING AND WITH A BARREL APPROXIMATELY 7" INSIDE DIAMETER. ALL HYDRANTS SHALL BE EQUIPPED WITH A BREAKAWAY FLANGE. ALL HYDRANTS SHALL BE APPROVED BY THE TOWN OF ADDISON.
- GUARD POSTS SHALL BE 6 L.F. OF 6" DIA. STEEL PIPE (3" ABOVE & BELOW GROUND LEVEL). POST SHALL BE ENCASED IN 16" DIA. CONC. PIER TO A DEPTH OF 12" BELOW POST BOTTOM. REINF. CONC. PIER WITH 2 NO. 6 BARS (12" LONG) THRU POST INTO PIER. POST ABOVE GROUND LEVEL SHALL BE PAINTED ALUMINUM WITH 2-2 INCH BANDS OF RED AND WHITE REFLECTIVE TAPE.
- ACCEPTABLE FIRE HYDRANTS IN ADDISON ARE MUELLER, CLOW, AND WATEROUS.
- FIRE HYDRANT PAINT VITRA-GARD RUST NO MORE HEAVY DUTY GLOSS



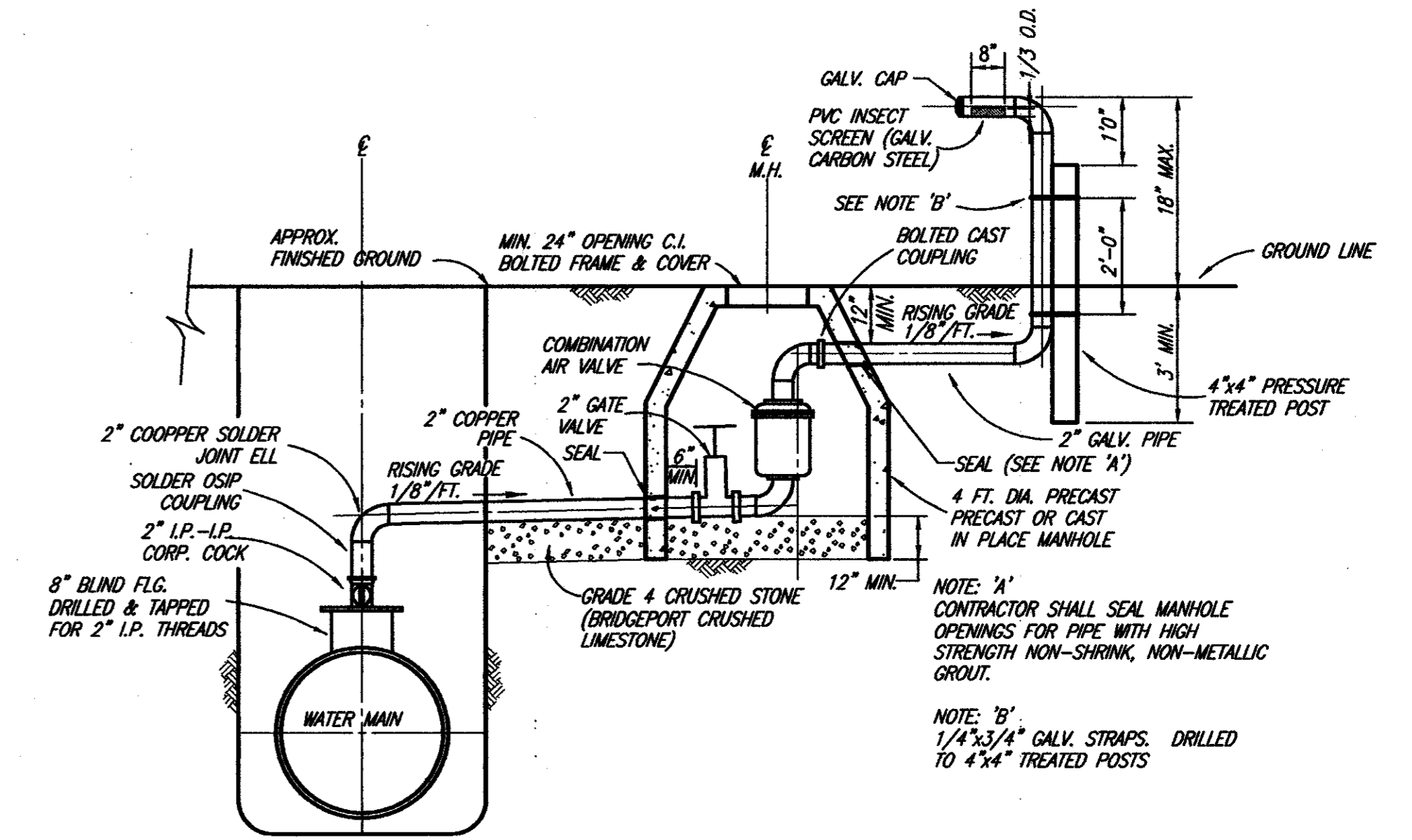
TYPICAL FIRE HYDRANT INSTALLATION

NO SCALE



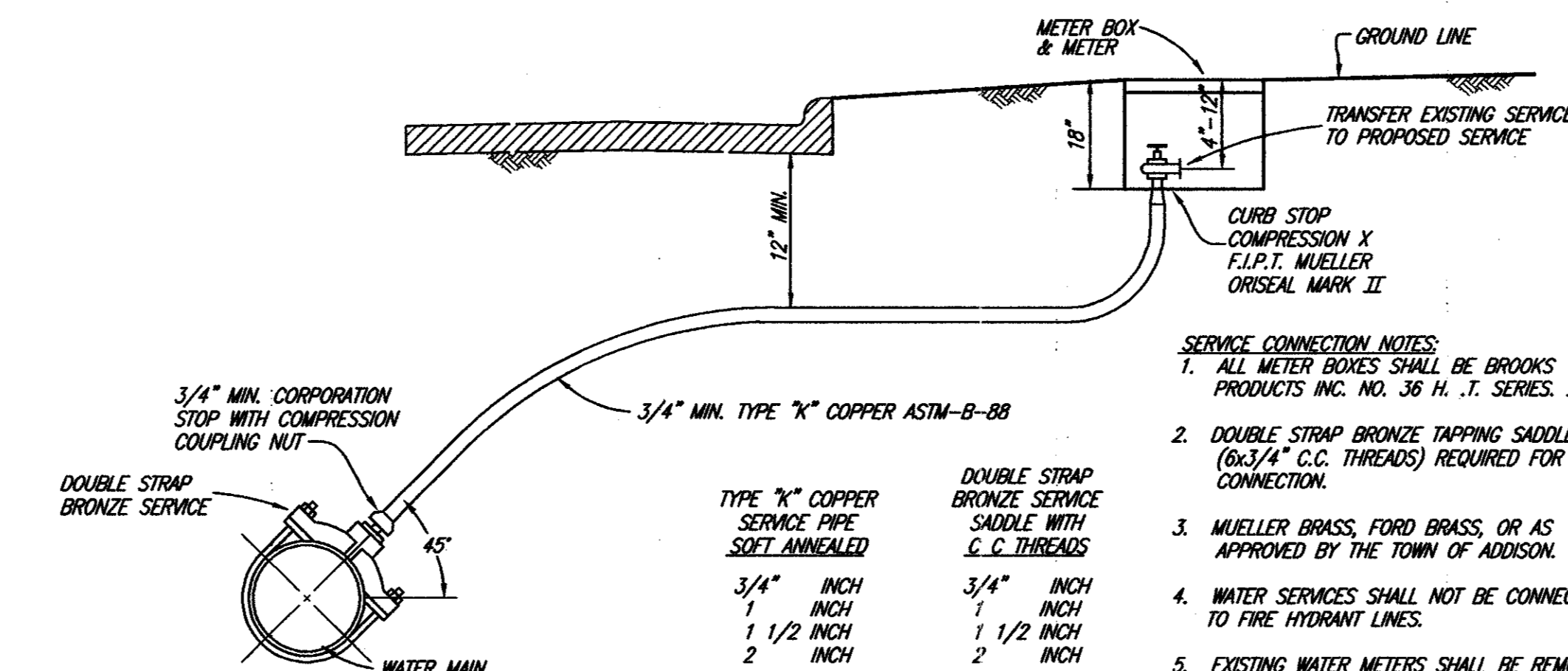
ENCASED ROAD OR RAILROAD BORE

NO SCALE



TYPICAL AIR & VACUUM-AIR RELEASE VALVE WITH MANHOLE INSTALLATION

NOT TO SCALE



TYPICAL SERVICE CONNECTION WITH METER BOX

NO SCALE

SERVICE CONNECTION NOTES:

- ALL METER BOXES SHALL BE BROOKS PRODUCTS INC. NO. 36 H. T. SERIES. I
- DOUBLE STRAP BRONZE TAPPING SADDLE (6x3/4" C.C. THREADS) REQUIRED FOR CONNECTION.
- MUELLER BRASS, FORD BRASS, OR AS APPROVED BY THE TOWN OF ADDISON.
- WATER SERVICES SHALL NOT BE CONNECTED TO FIRE HYDRANT LINES.
- EXISTING WATER METERS SHALL BE REMOVED AND PROVIDED TO ADDISON.
- ACTUAL LOCATION OF METERS SHALL BE DETERMINED IN THE FIELD BY THE ADDISON INSPECTOR.

TYPE 7X COPPER SERVICE PIPE SOFT ANNEALED

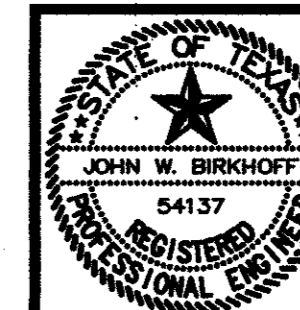
3/4" INCH	3/4" INCH
1 INCH	1 INCH
1 1/2 INCH	1 1/2 INCH
2 INCH	2 INCH

DOUBLE STRAP BRONZE SERVICE SADDLE WITH C.C. THREADS

3/4" INCH	3/4" INCH
1 INCH	1 INCH
1 1/2 INCH	1 1/2 INCH
2 INCH	2 INCH

REVISED TO CONFORM TO CONSTRUCTION RECORDS BY J.W.B. DATE 12/07/98

THESE DOCUMENTS ARE FOR BIDDING, CONSTRUCTION, AND PERMIT PURPOSES.
John W. Bullard
DATE: 9/5/97



TOWN OF ADDISON, TEXAS

ADDISON AIRPORT SANITARY SEWER & WATER MAIN REPLACEMENT

STANDARD DETAILS

SHIMEK, JACOBS & FINKLEA, L.L.P.
CONSULTING ENGINEERS
Dallas, Texas

DESIGNED BY: S.J. & F. PROJECT: 96 169 SHEET NO. 24
DRAWN BY: S.J. & F. DATE: FEBRUARY 1997 OF 24 SHEETS

These plans and related specifications were prepared for construction of this specific project only. Reuse of these documents is not permitted without written authorization of Shimek, Jacobs & Finklea, L.L.P.