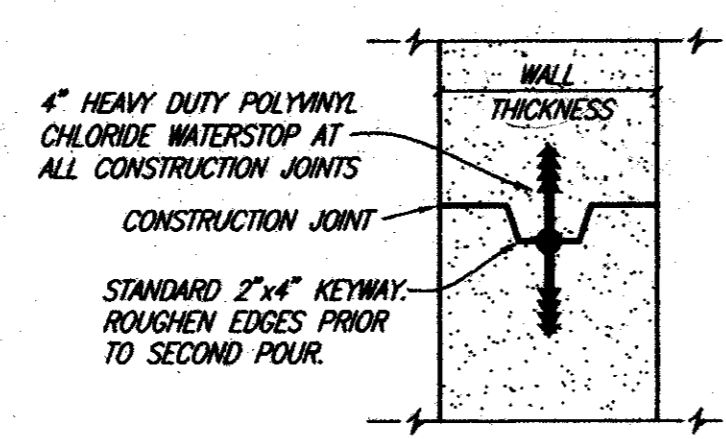
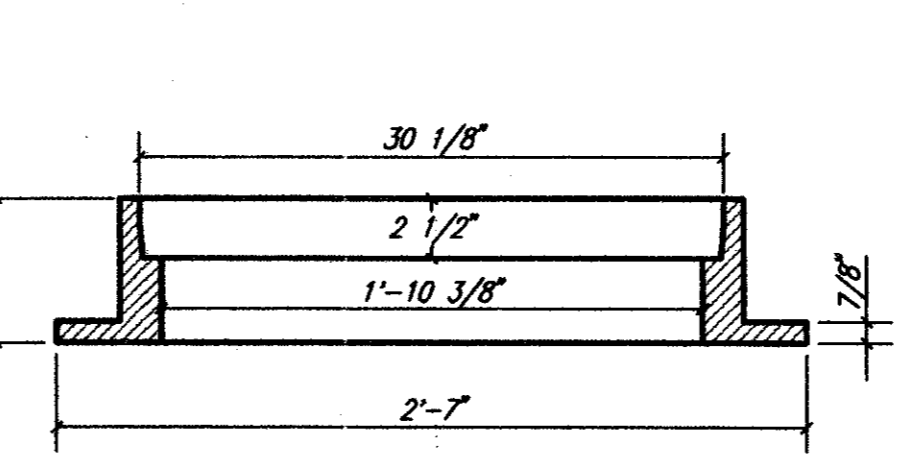
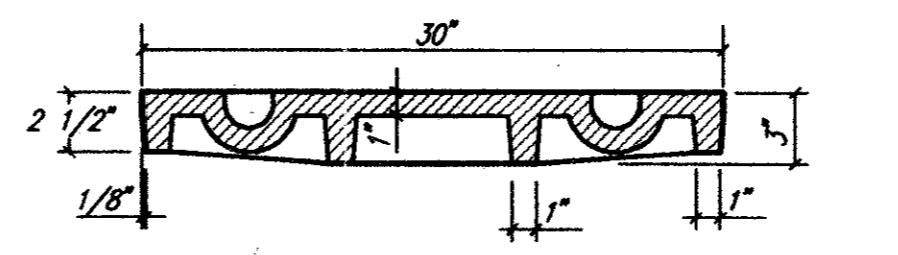
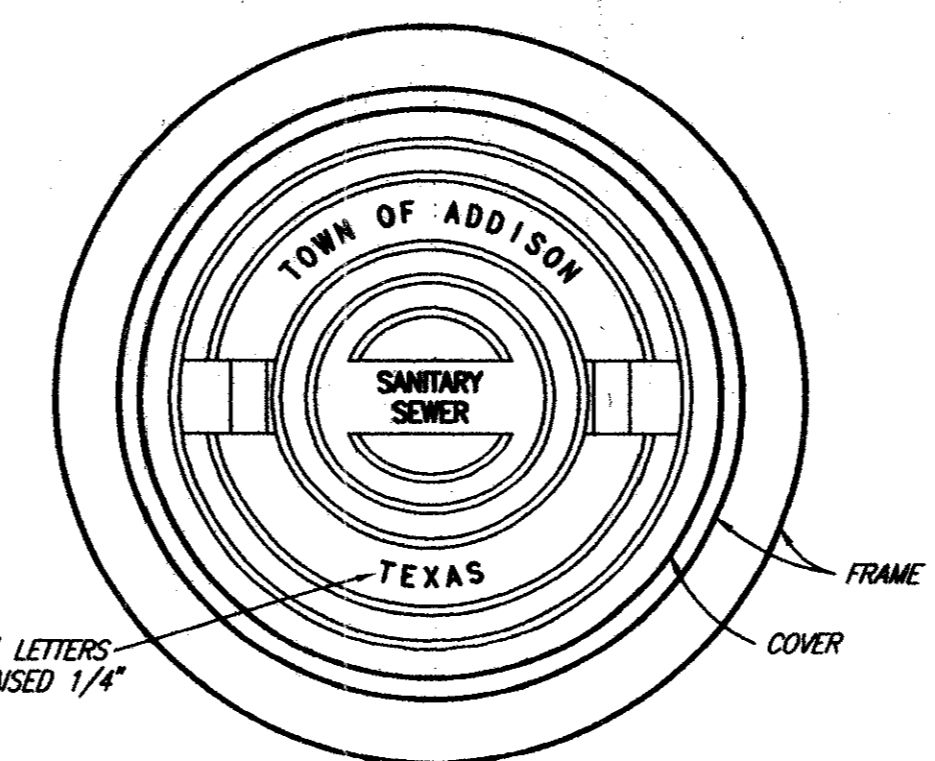


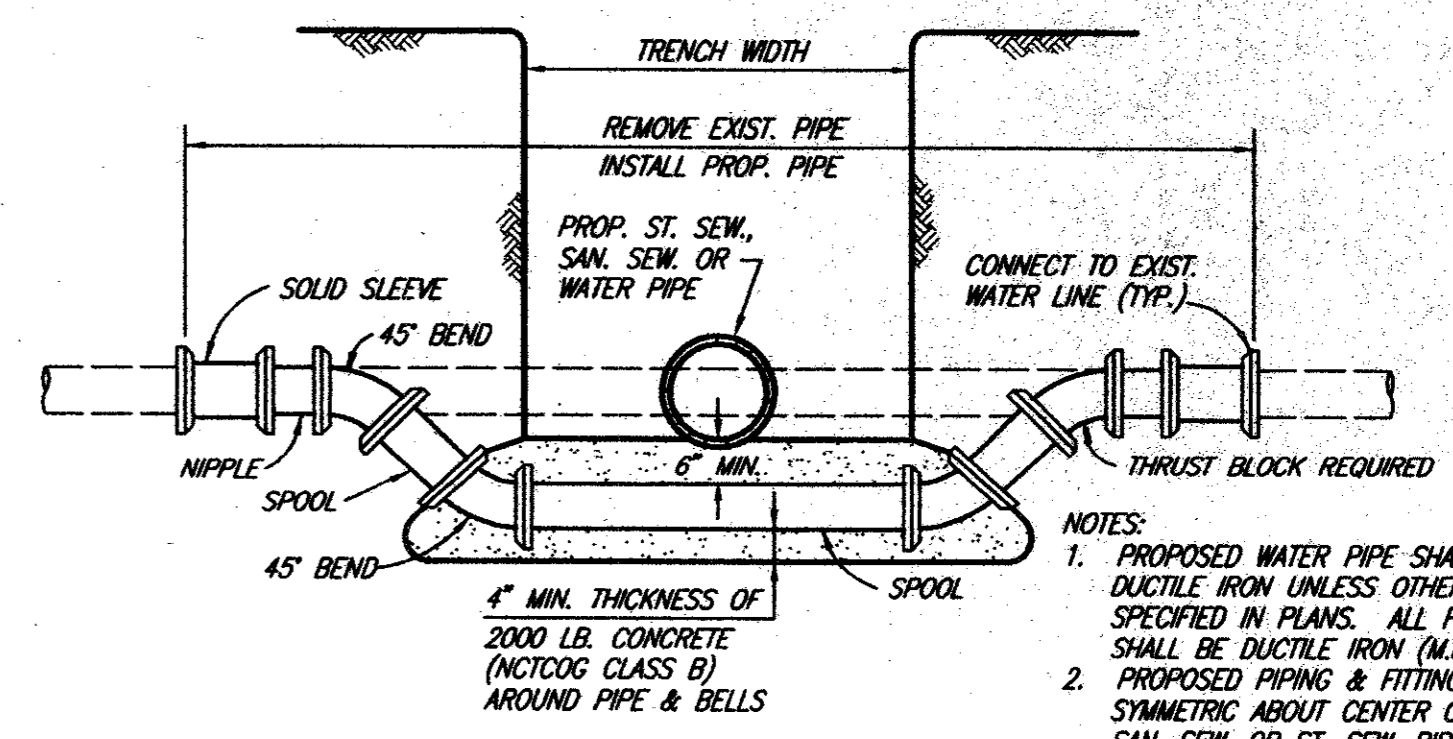
**CONE TRANSITION**  
5' & 6' DIAMETER MANHOLES ONLY



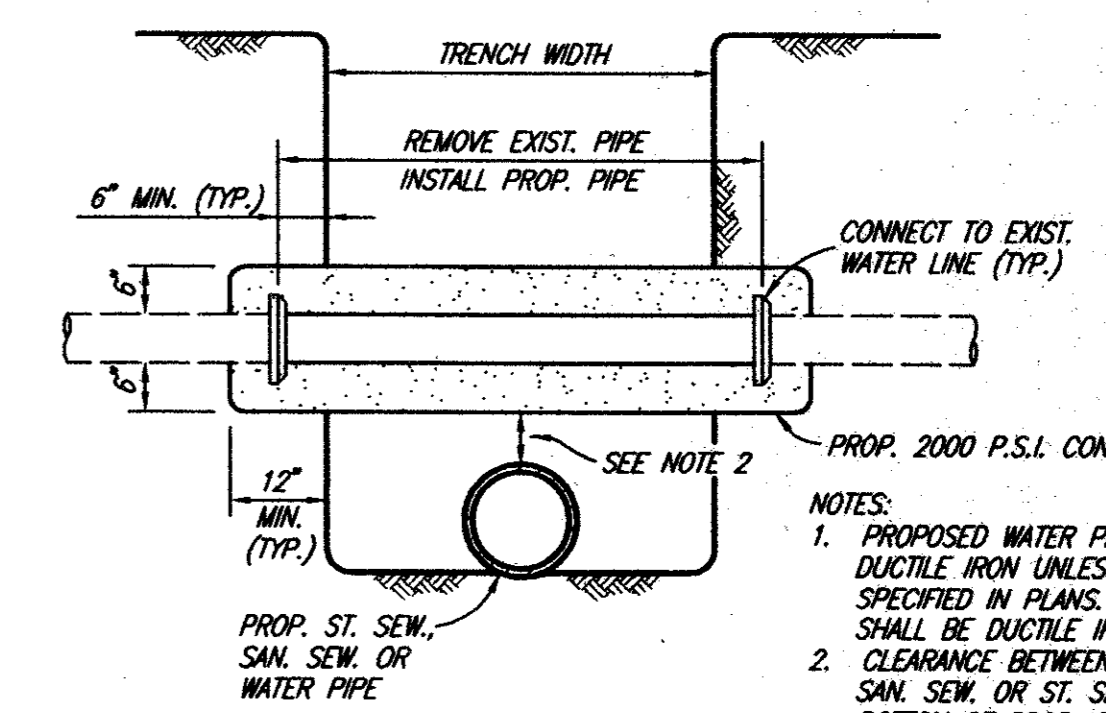
**MANHOLE CONSTRUCTION JOINT**  
KEYWAY WITH WATERSTOP



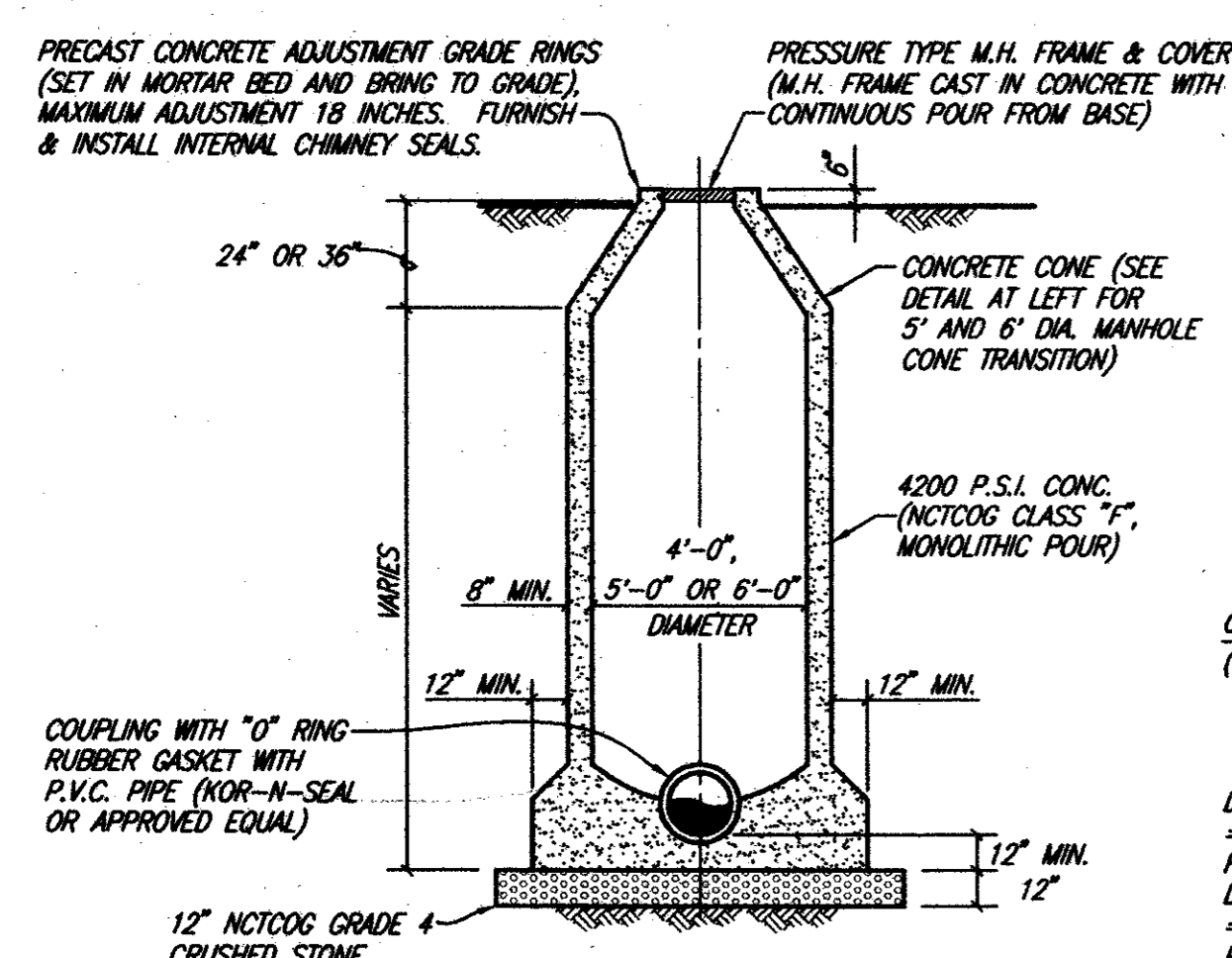
**MANHOLE RING AND COVER**  
NO SCALE



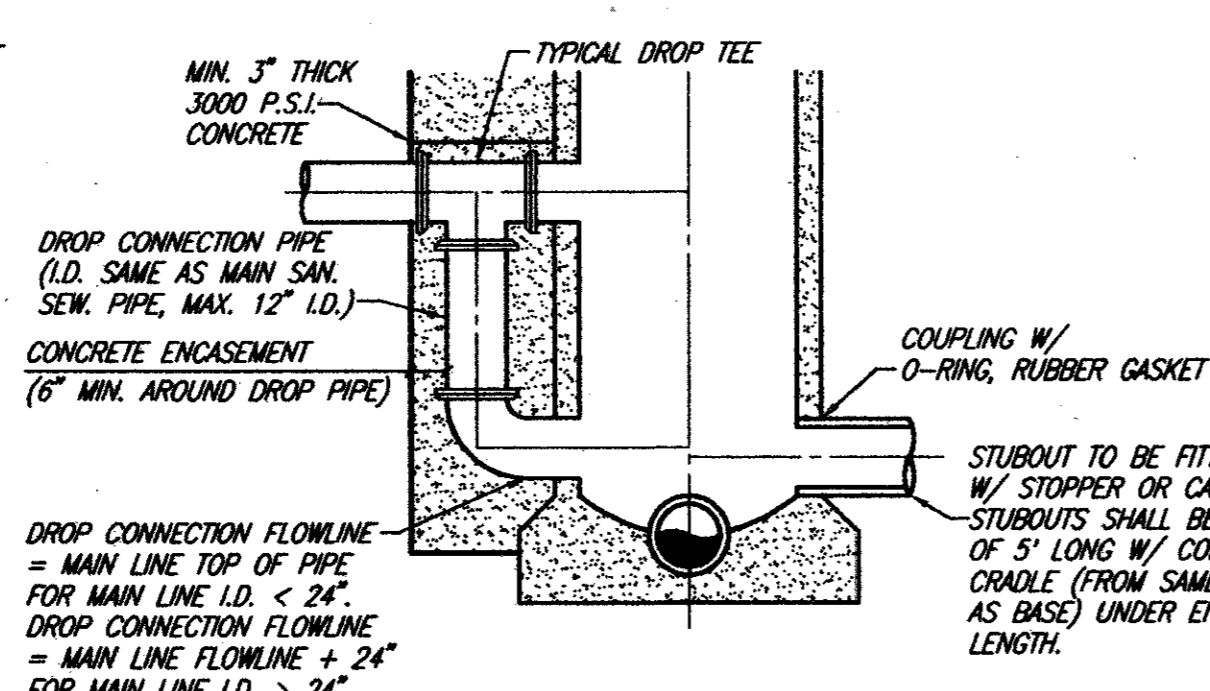
**WATER MAIN LOWERING**  
NO SCALE



**UTILITY SUPPORT**  
NO SCALE



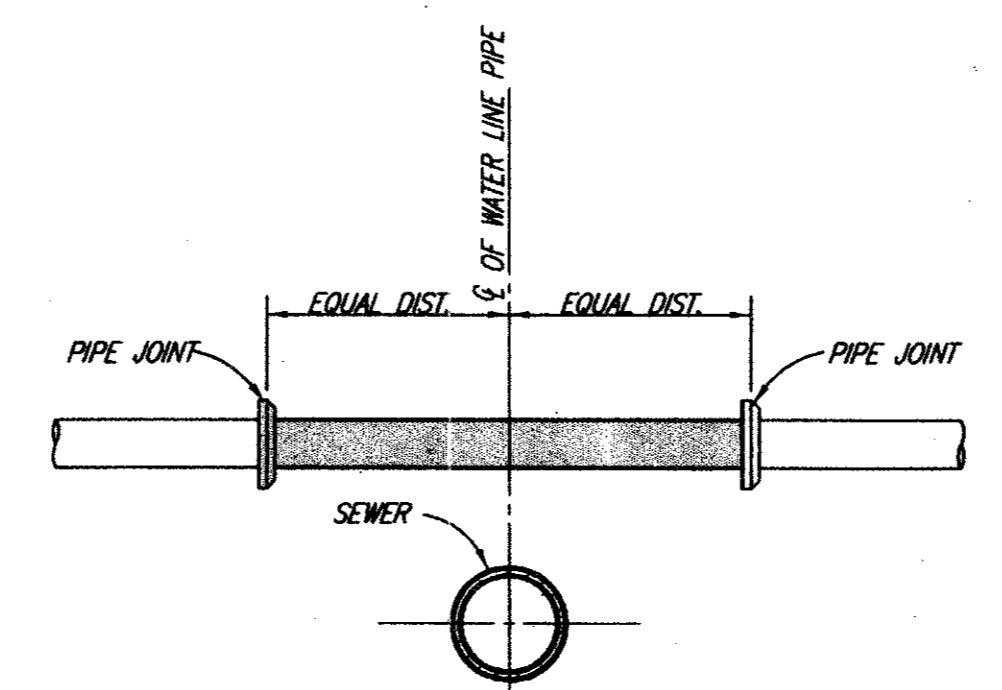
**STANDARD MANHOLE ELEVATION**  
4', 5' & 6' DIAMETER MANHOLES



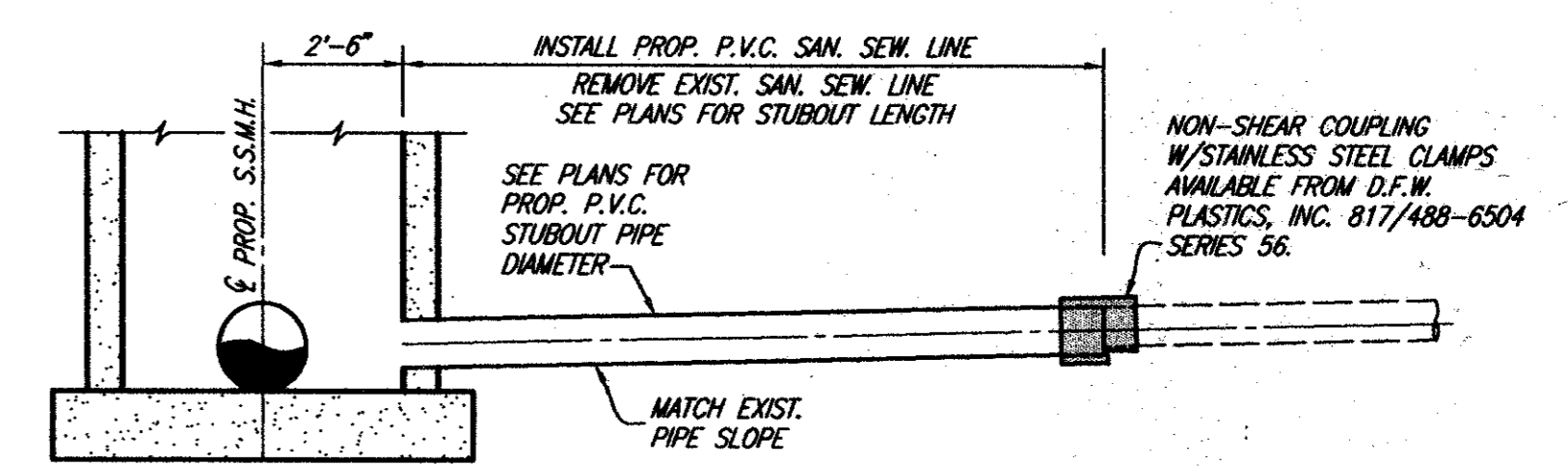
**DROP MANHOLE ELEVATION**  
4', 5' & 6' DIAMETER MANHOLES

**SANITARY SEWER MANHOLE (CAST IN PLACE)**

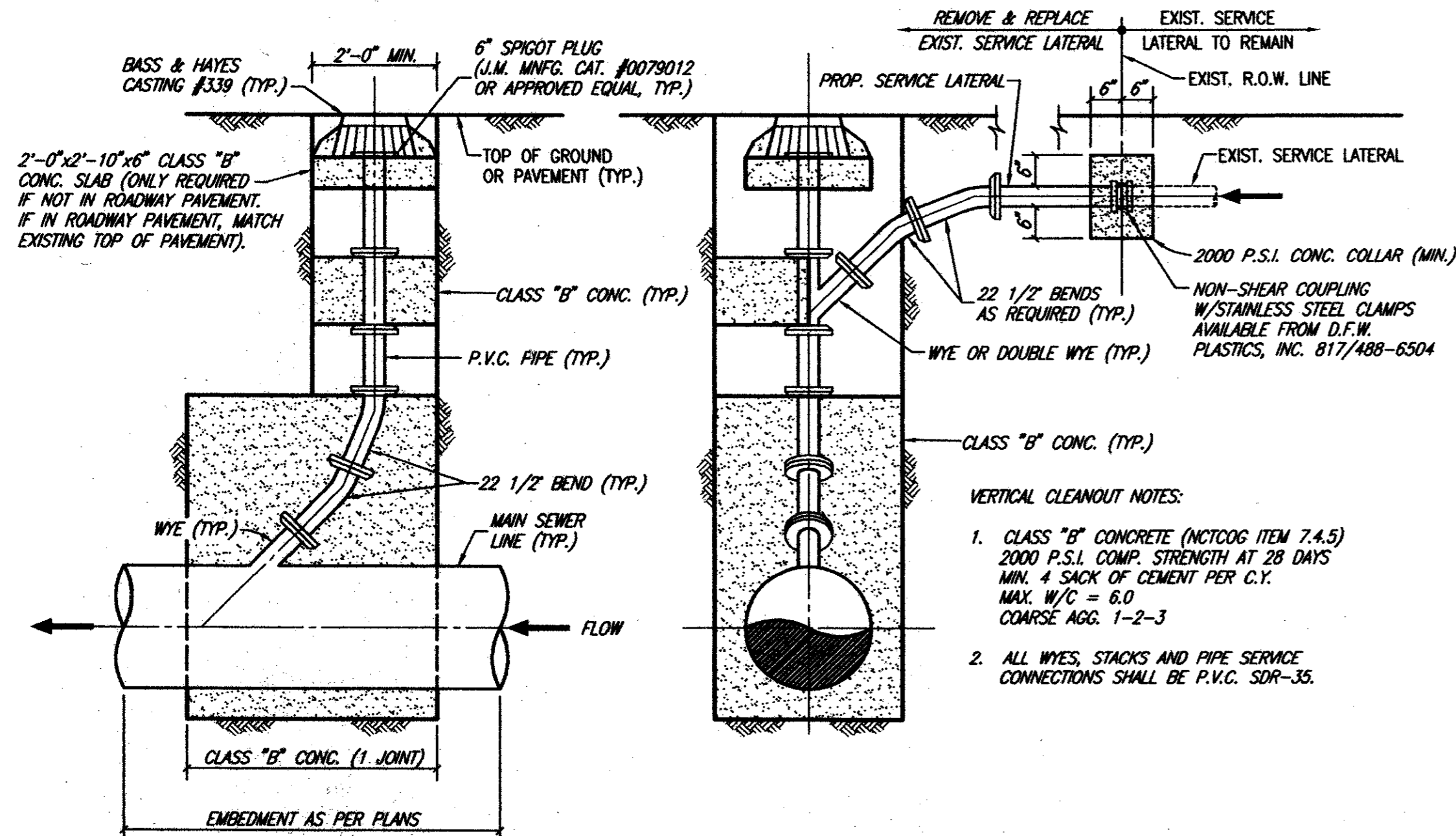
PRECAST MANHOLES NOT ACCEPTABLE IN ADDISON. MANHOLES SHALL BE PLUMB TO WITHIN 1 INCH FOR EVERY 5 FEET OF VERTICAL DEPTH.  
NO SCALE



**TYPICAL WATER/SEWER CROSSING**  
NO SCALE



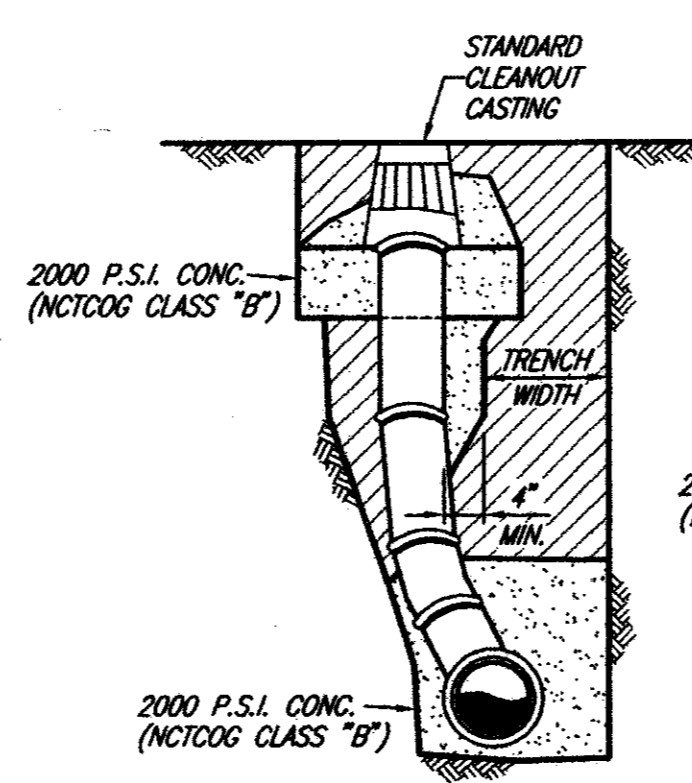
**STUBOUT CONNECTION FOR 6" & 8" LINES**  
NO SCALE



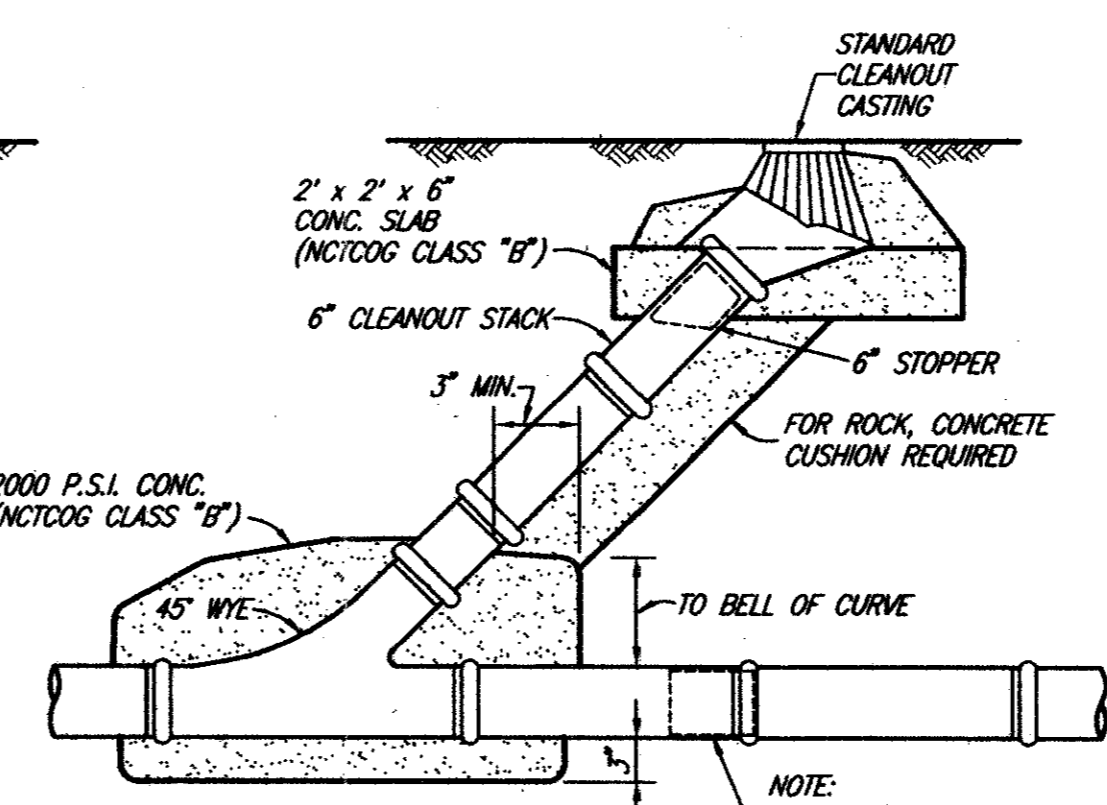
**VERTICAL CLEANOUT CONNECTION**

(CONNECTION, WYE, CONCRETE, BENDS, CASTING, ETC. ALL SUBSIDIARY TO CLEANOUT)

- VERTICAL CLEANOUT NOTES:**
- CLASS "B" CONCRETE (NCTCOG ITEM 7.4.5) 2000 P.S.I. COMP. STRENGTH AT 28 DAYS MIN. 4 SACKS OF CEMENT PER C.Y. MAX. W/C = 6.0 COARSE AGG. 1-2-3
  - ALL WYES, STACKS AND PIPE SERVICE CONNECTIONS SHALL BE P.V.C. SDR-35.

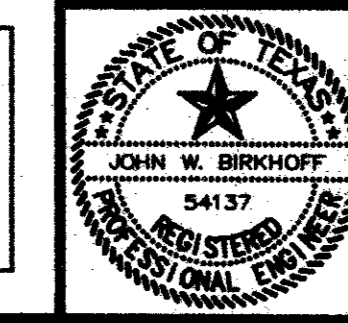


**STANDARD CLEANOUT**  
NO SCALE



**STANDARD CLEANOUT**  
NO SCALE

THESE DOCUMENTS ARE FOR BIDDING, CONSTRUCTION, AND PERMIT PURPOSES.  
*John W. Babbitt*  
DATE: 8/22/97



**TOWN OF ADDISON, TEXAS**  
ADDISON AIRPORT SANITARY SEWER & WATER MAIN REPLACEMENT

**STANDARD DETAILS**

SHIMEK, JACOBS & FINKLEA, L.L.P.  
CONSULTING ENGINEERS  
Dallas, Texas

DESIGNED BY: S.J. & F. PROJECT: 96 169 SHEET NO. 23  
DRAWN BY: S.J. & F. DATE: FEBRUARY 1997 OF 24 SHEETS