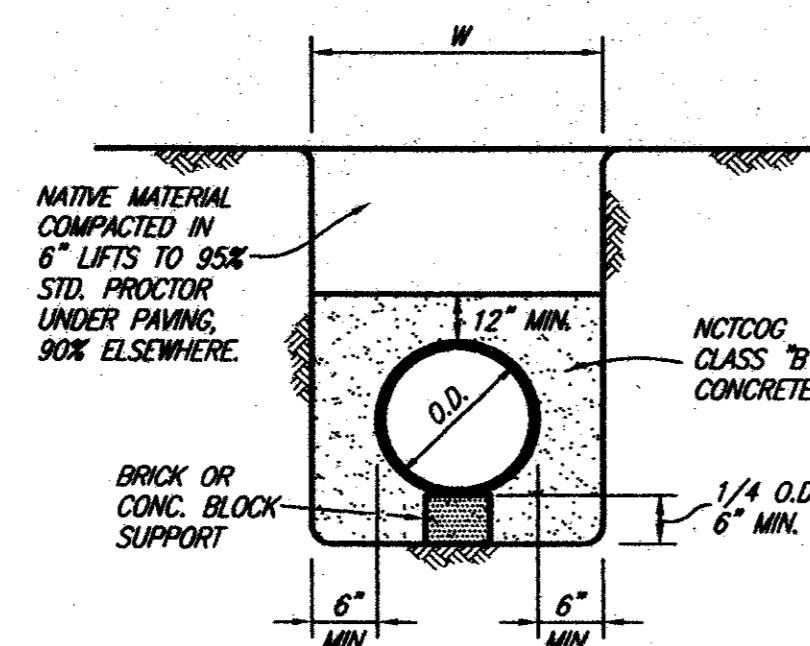


CLASS B-1 EMBEDMENT

P.V.C. PIPE ONLY
STD. P.V.C. WATER

EMBEDMENT NOTES:

- DEPTH OF TRENCH BELOW PIPE:
- 3" MIN. FOR 27" PIPE & SMALLER
- 4" MIN. FOR 30" TO 60" PIPE
- 6" MIN. FOR 66" PIPE & LARGER
- MAXIMUM TRENCH WIDTH ("W")
SHALL BE 24" PLUS O.D.
FOR PIPE ≤ 36" I.D. AND
36" PLUS O.D. FOR PIPE > 36" I.D.

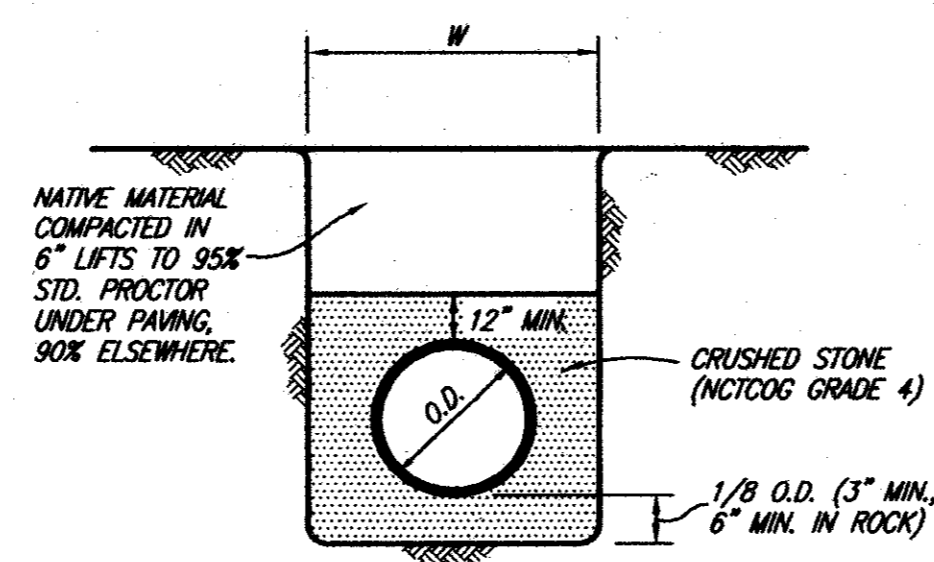


CLASS G EMBEDMENT

CONCRETE ENCASEMENT

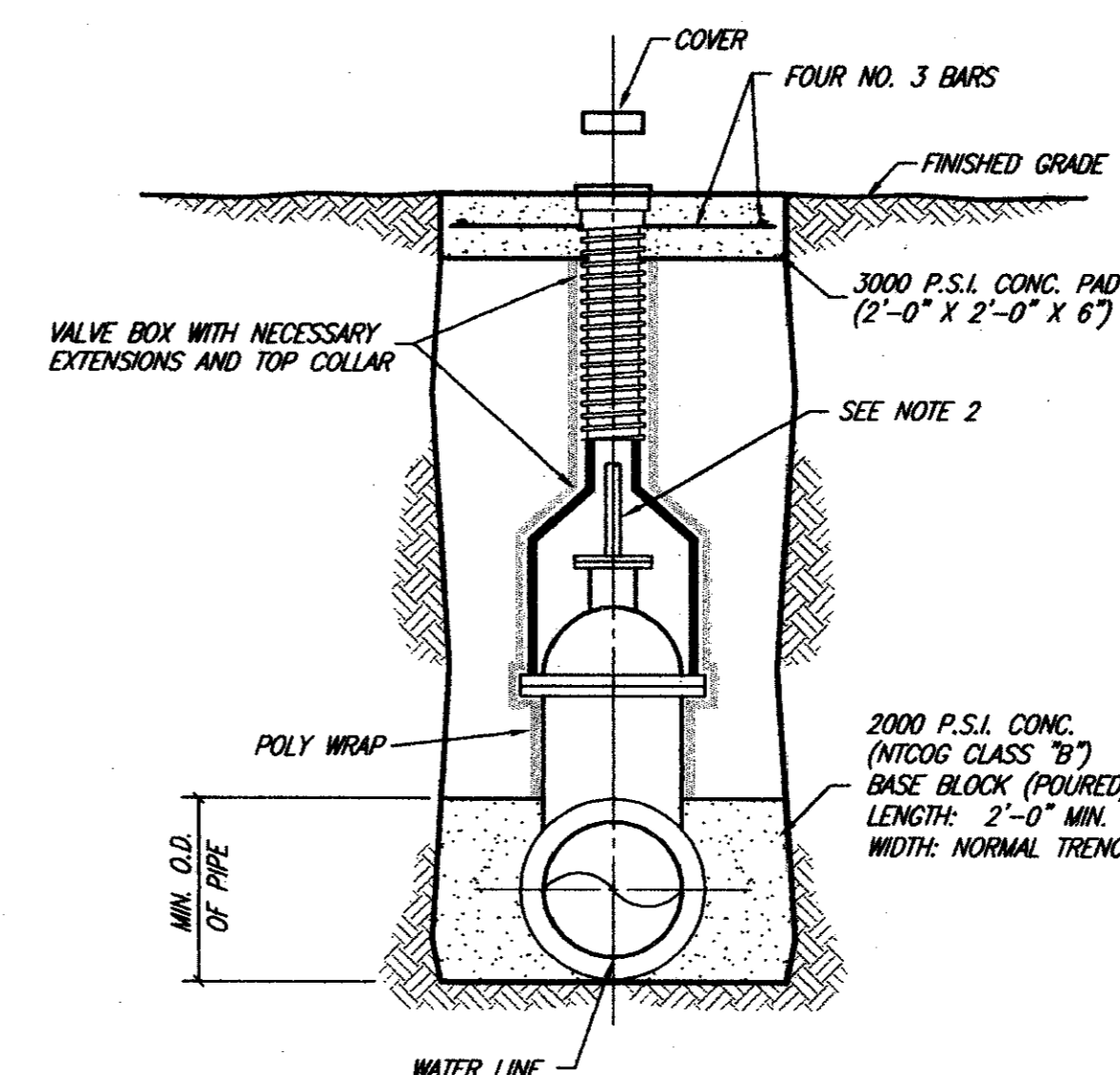
NCTCOG GRADE 4 CRUSHED STONE:

SIEVE SIZE	PERCENT RETAINED
1 1/2"	0%
1 1/4"	0-5%
1 1/2"	40-75%
NO. 4	90-100%
NO. 8	95-100%



CLASS H EMBEDMENT

P.V.C. PIPE ONLY
STD. P.V.C. SEWER



VALVE SETTING & BOX

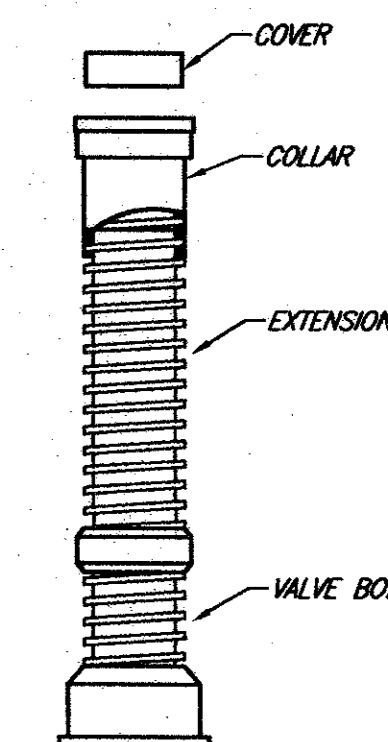
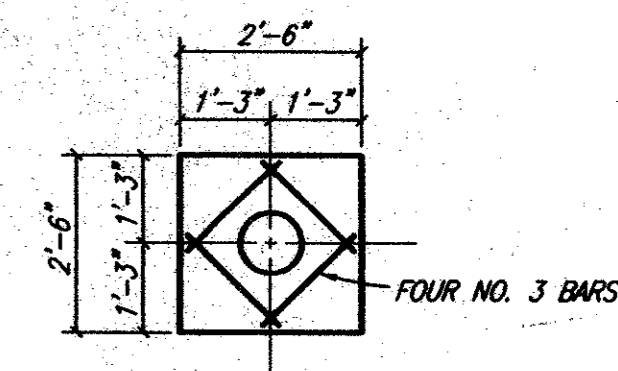
NO SCALE

WATER VALVE NOTES:

- 4" TO 12" GATE VALVE SHALL BE RESILIENT SEATED WEDGE GATE VALVES ACCORDANCE WITH ANWA STANDARD C-509.
- A PERMANENTLY ATTACHED VALVE EXTENSION STEM SHALL BE REQUIRED FOR ANY VALVE WHOSE OPERATING NUT IS LOCATED IN EXCESS OF 4 FEET BELOW THE TOP OF VALVE BOX. THIS EXTENSION SHALL BE OF SUFFICIENT LENGTH TO INSURE THAT ITS TOP IS WITHIN 4" OF THE VALVE BOX COVER.
- VALVE SHALL BE WRAPPED IN POLY WRAP.

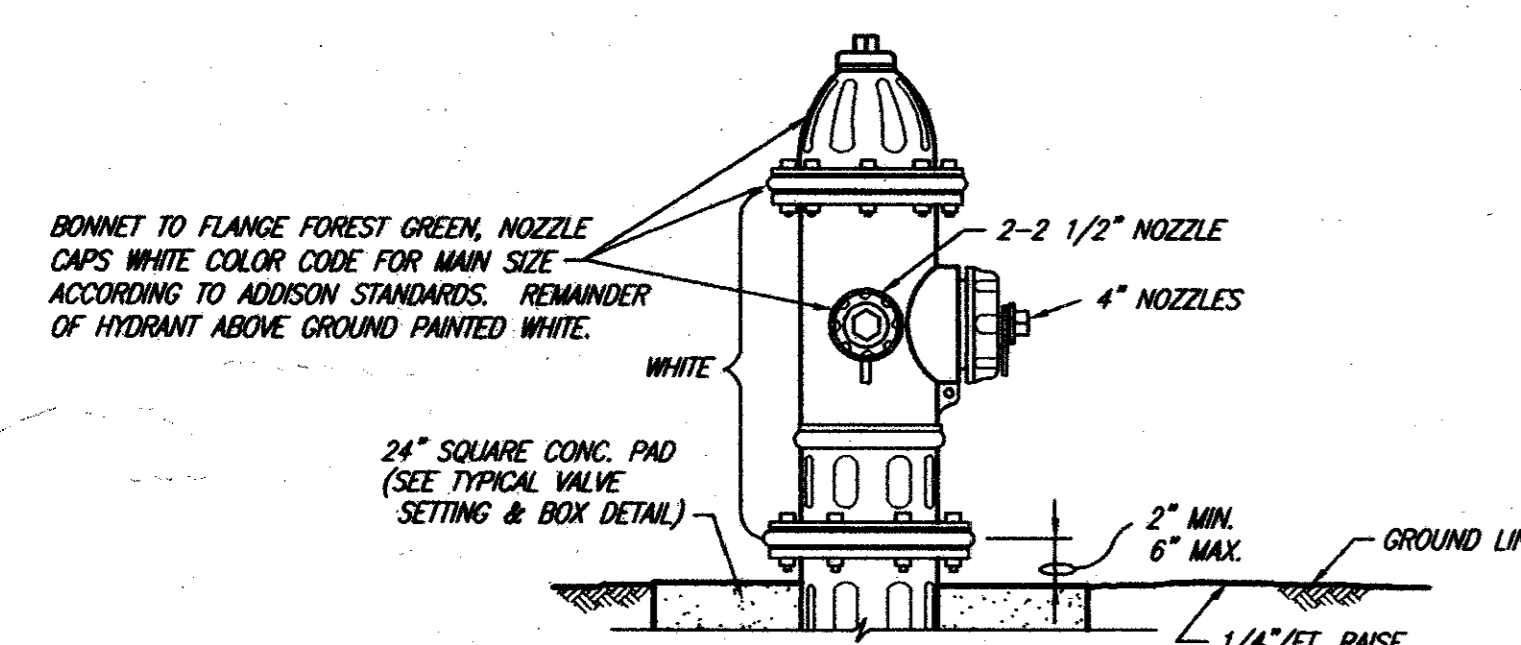
VALVE BOX PAD PLAN

NO SCALE



VALVE BOX WITH EXTENSION

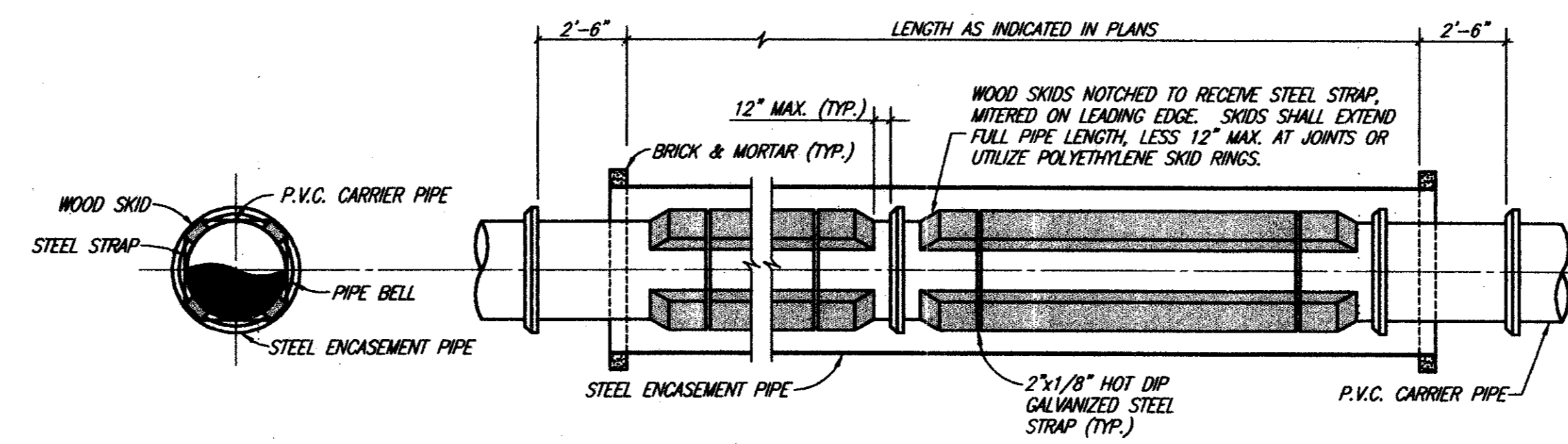
NO SCALE



TYPICAL FIRE HYDRANT INSTALLATION

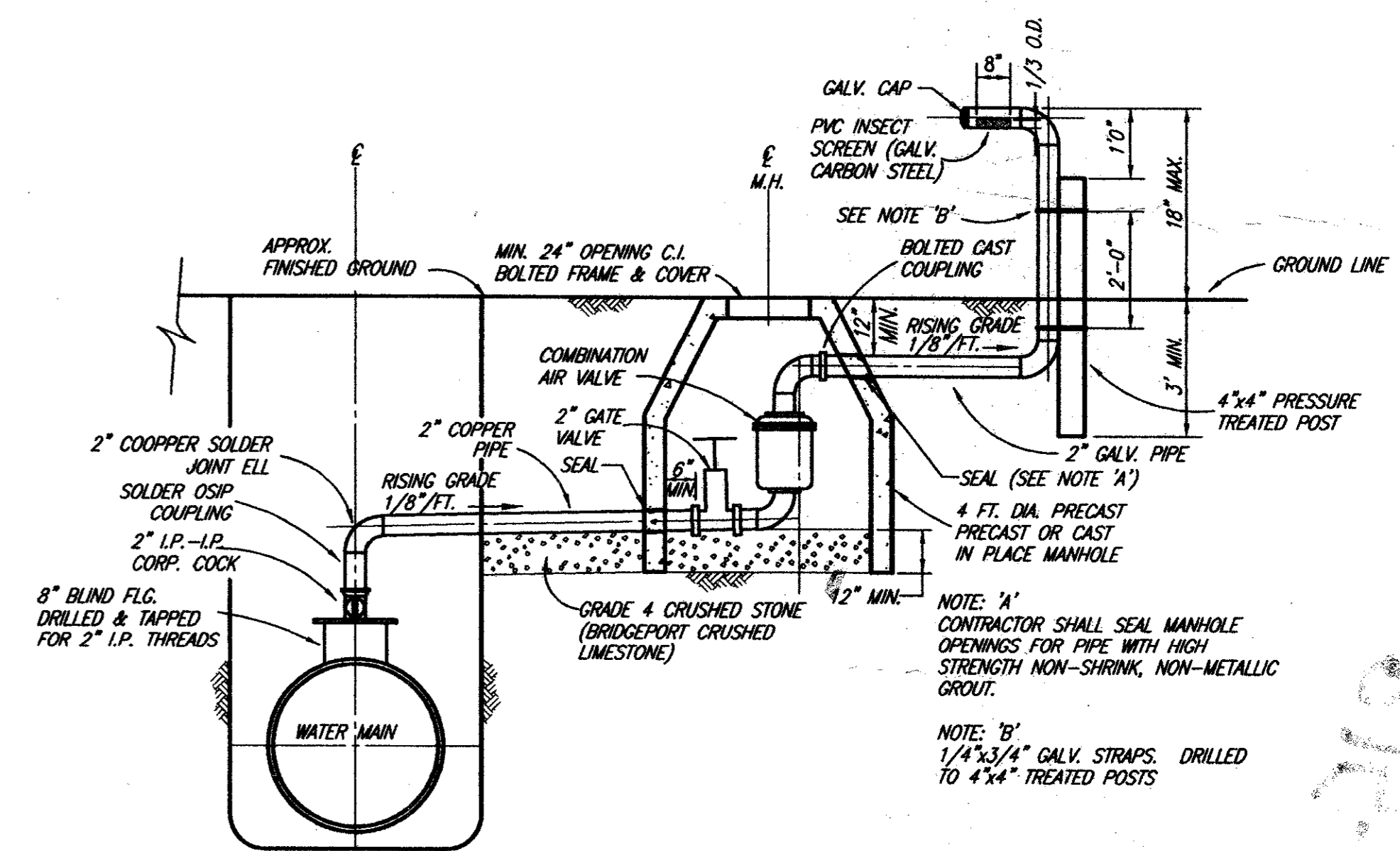
NO SCALE

- FIRE HYDRANT NOTES:**
- IN GENERAL ALL FIRE HYDRANTS SHALL CONFORM TO ANWA STANDARDS SPECIFICATIONS FOR FIRE HYDRANTS FOR ORDINARY WATER WORKS SERVICE FOR WATER AND SANITARY SEWER IMPROVEMENTS. FIRE HYDRANTS SHALL HAVE A 5-1/4" MINIMUM VALVE OPENING AND WITH A BARREL APPROXIMATELY 7" INSIDE DIAMETER. ALL HYDRANTS SHALL BE EQUIPPED WITH A BREAKAWAY FLANGE. ALL HYDRANTS SHALL BE APPROVED BY THE TOWN OF ADDISON.
 - GUARD POSTS SHALL BE 6 L.F. OF 6" DIA. STEEL PIPE (3" ABOVE & BELOW GROUND LEVEL). POST SHALL BE ENCASED IN 16" DIA. CONC. PIER TO A DEPTH OF 12" BELOW POST BOTTOM. REINF. CONC. PIER WITH 2 NO. 6 BARS (12" LONG) THRU POST INTO PIER. POST ABOVE GROUND LEVEL SHALL BE PAINTED ALUMINUM WITH 2-2 INCH BANDS OF RED AND WHITE REFLECTIVE TAPE.
 - ACCEPTABLE FIRE HYDRANTS IN ADDISON ARE MUELLER, CLOW, AND WATEROUS.
 - FIRE HYDRANT PAINT WITH CARD RUST NO MORE HEAVY DUTY GLOSS
FOREST GREEN 3844-6 ENAMEL SATIN WHITE POLY URETHANE



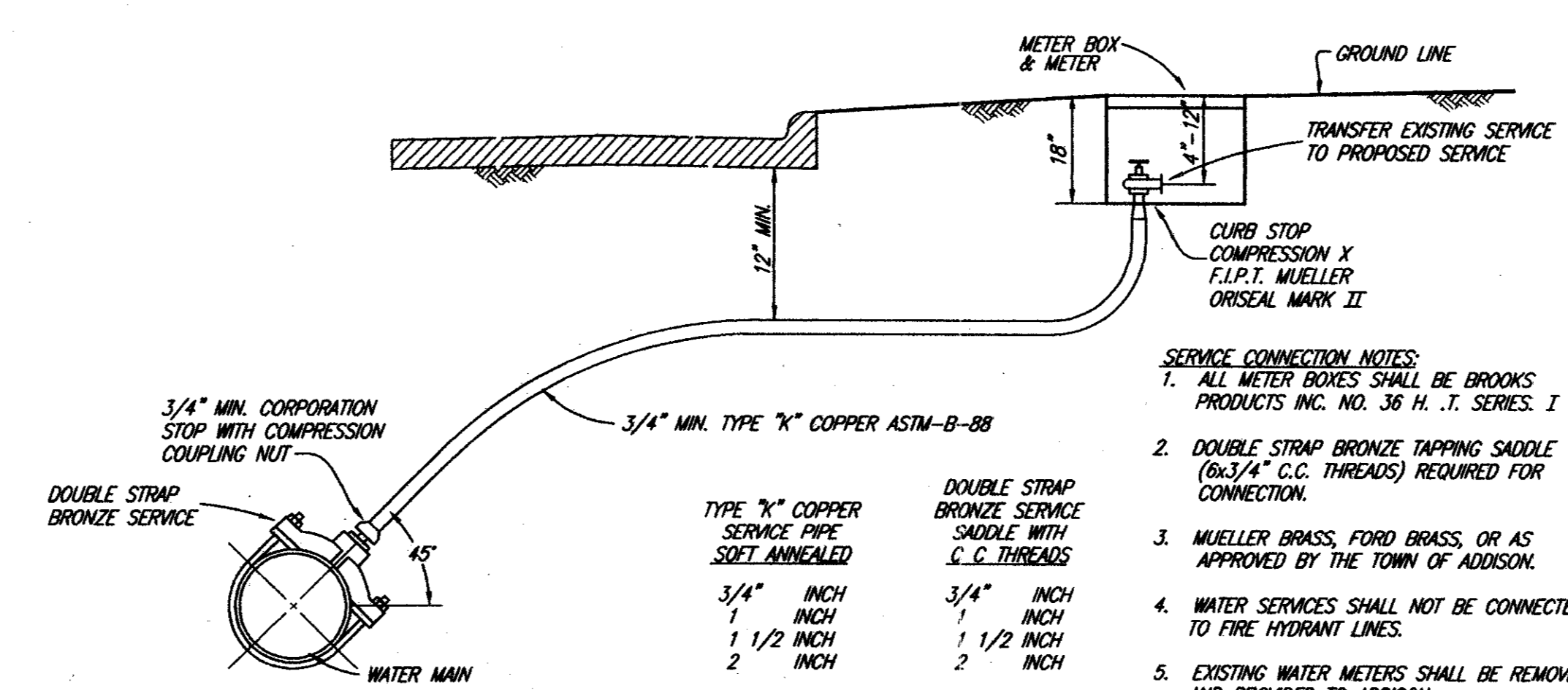
ENCASED ROAD OR RAILROAD BORE

NO SCALE



TYPICAL AIR & VACUUM-AIR RELEASE VALVE WITH MANHOLE INSTALLATION

NOT TO SCALE



TYPICAL SERVICE CONNECTION WITH METER BOX

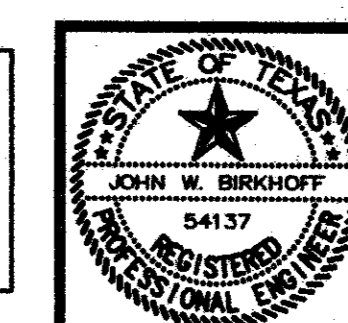
NO SCALE

SERVICE CONNECTION NOTES:

- ALL METER BOXES SHALL BE BROOKS PRODUCTS INC. NO. 36 H. I. SERIES I
- DOUBLE STRAP BRONZE TAPPING SADDLE (6x3/4" C.C. THREADS) REQUIRED FOR CONNECTION.
- MUELLER BRASS, FORD BRASS, OR AS APPROVED BY THE TOWN OF ADDISON.
- WATER SERVICES SHALL NOT BE CONNECTED TO FIRE HYDRANT LINES.
- EXISTING WATER METERS SHALL BE REMOVED AND PROVIDED TO ADDISON.
- ACTUAL LOCATION OF METERS SHALL BE DETERMINED IN THE FIELD BY THE ADDISON INSPECTOR.

TYPE "K" COPPER SERVICE PIPE	DOUBLE STRAP BRONZE TAPPING SADDLE WITH C.C. THREADS
3/4" INCH	3/4" INCH
1 INCH	1 INCH
1 1/2 INCH	1 1/2 INCH
2 INCH	2 INCH

THESE DOCUMENTS ARE FOR BIDDING, CONSTRUCTION, AND PERMIT PURPOSES.
DATE: 9/5/97



TOWN OF ADDISON, TEXAS
ADDISON AIRPORT SANITARY SEWER & WATER MAIN REPLACEMENT
STANDARD DETAILS
SHIMEK, JACOBS & FINKLEA, L.L.P.
CONSULTING ENGINEERS
Dallas, Texas

DESIGNED BY: S.J. & F.	PROJECT: 96 169	SHEET NO. 24
DRAWN BY: S.J. & F.	DATE: FEBRUARY 1997	OF 24 SHEETS