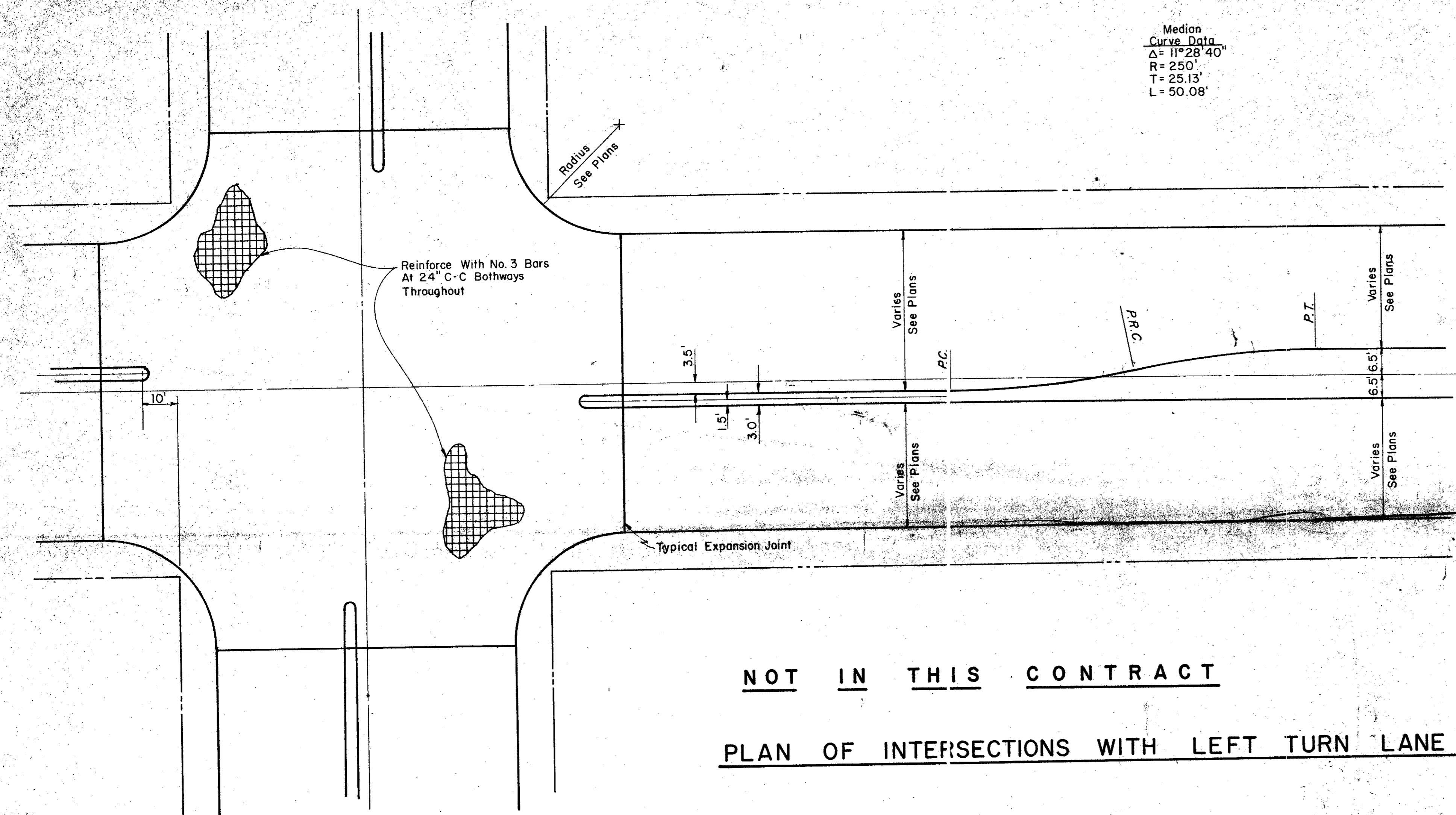
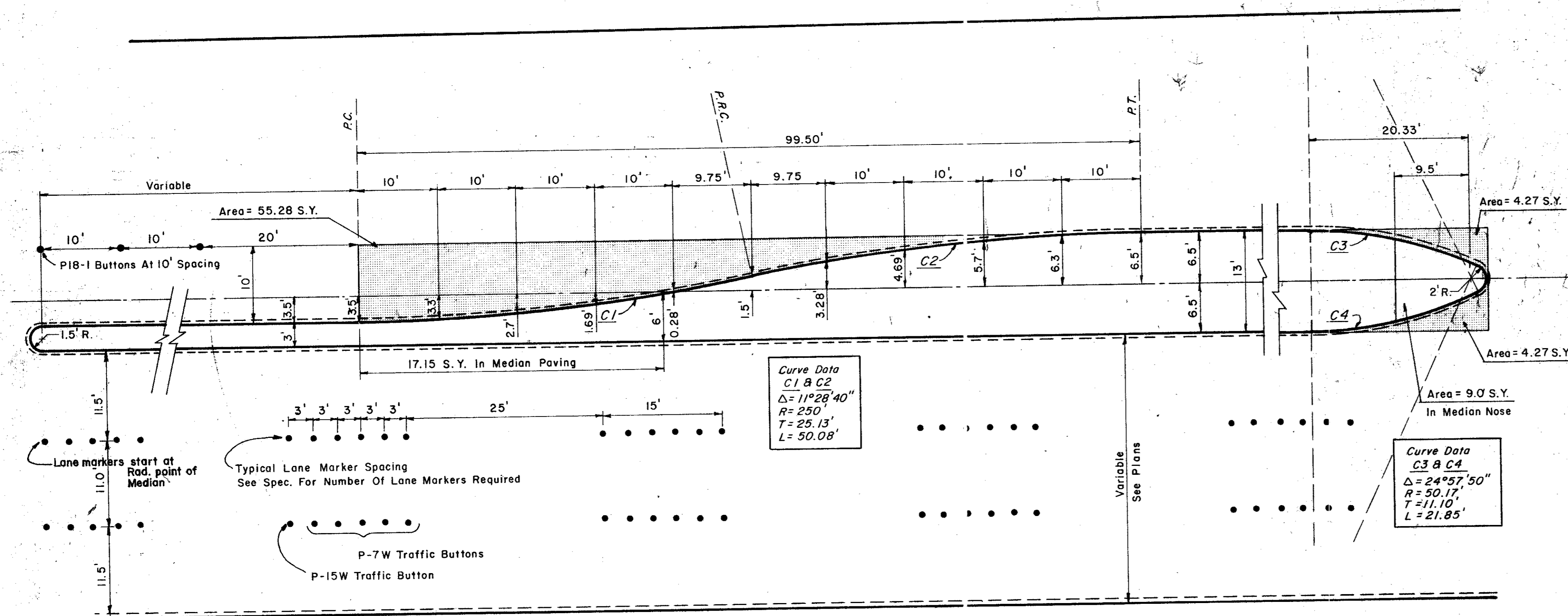


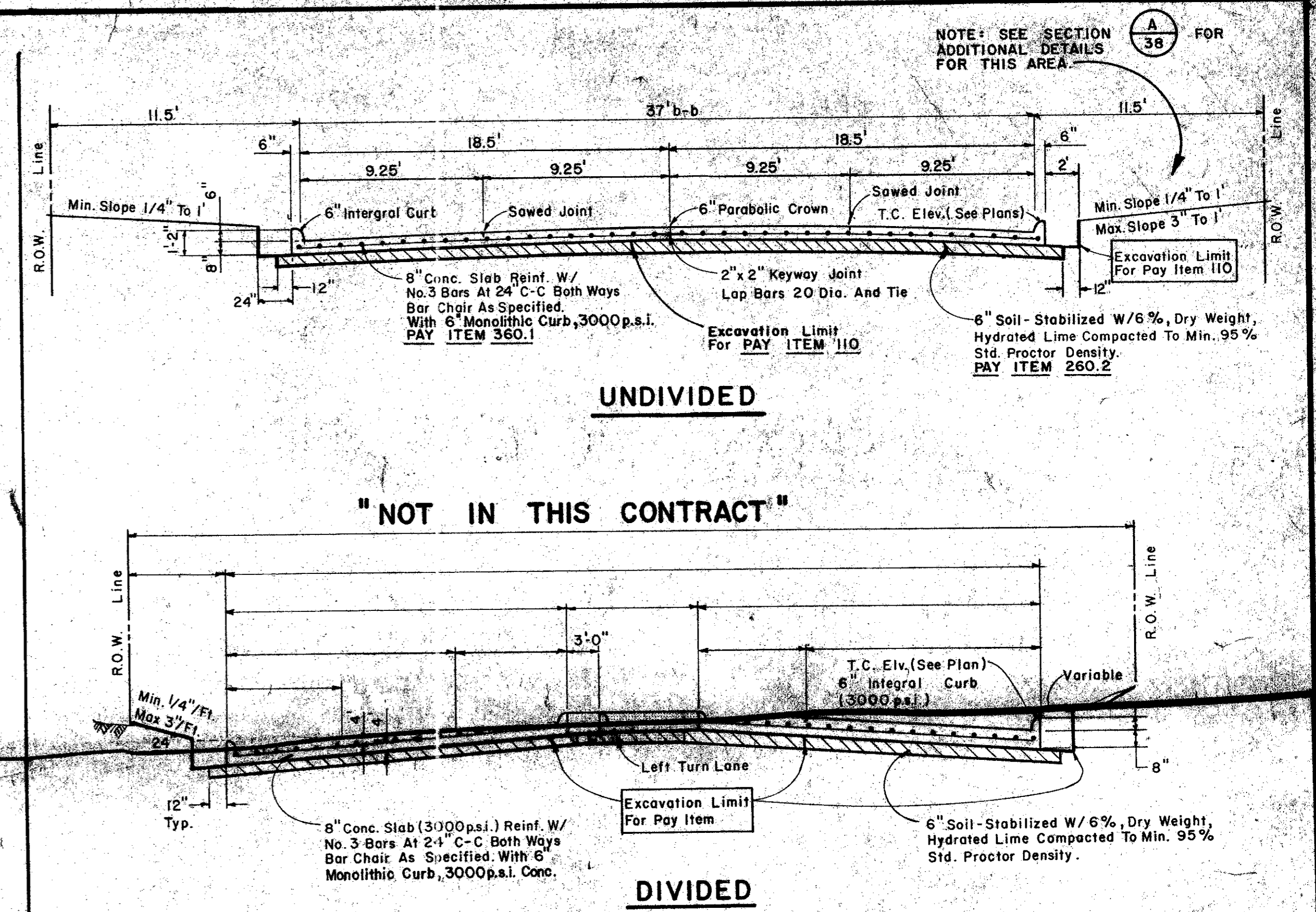
Median
Curve Data
 $\Delta = 11^{\circ}28'40''$
 $R = 250'$
 $T = 25.13'$
 $L = 50.08'$



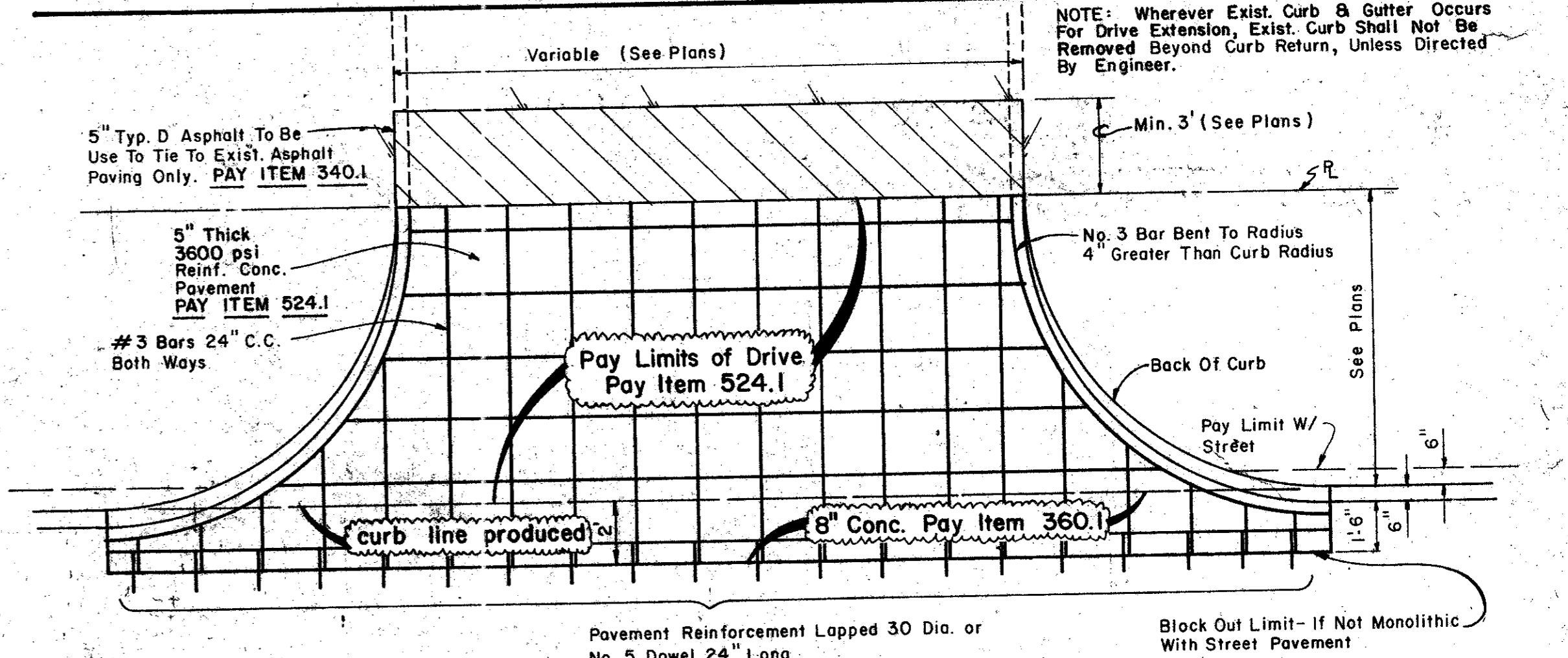
NOT IN THIS CONTRACT
PLAN OF INTERSECTIONS WITH LEFT TURN LANE



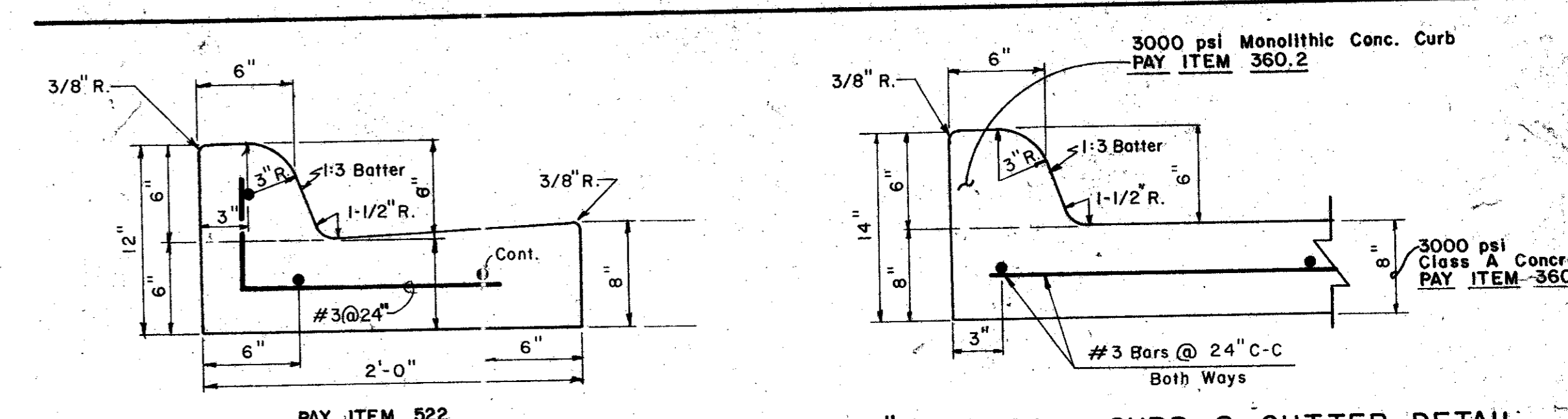
NOT IN THIS CONTRACT
LEFT TURN LANE & LANE MARKER DETAIL



TYPICAL PAVING SECTION DETAILS
NOTE: For Changes to Typical Sections See Sht. 38.



DRIVEWAY PAVING DETAIL



SEPARATE CURB & GUTTER
REINFORCEMENT SHALL BE No. 5 BARS

6" INTEGRAL CURB & GUTTER DETAIL
Record Set 5/9/85

CITY OF ADDISON
DALLAS COUNTY, TEXAS
WESTGROVE/VOSS ROAD IMPROVEMENTS
STANDARD PAVING DETAILS A
GINN, INC.
Consulting Engineers Dallas, Texas
DESIGNED - H.K. DRAWN - S.M.M. DATE - SEPT., 1982 JOB No. J-192
APPROVED - H.G. CHECKED - G.F. SCALE - NONE SHEET 18 OF