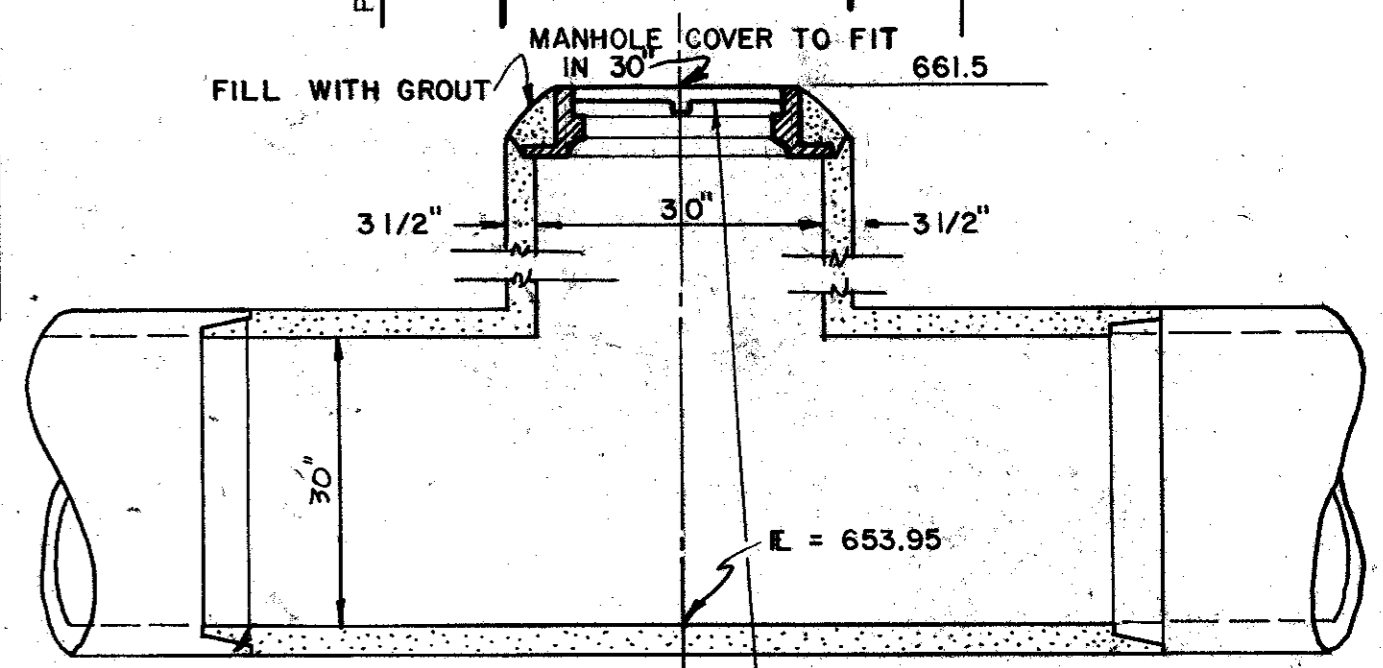
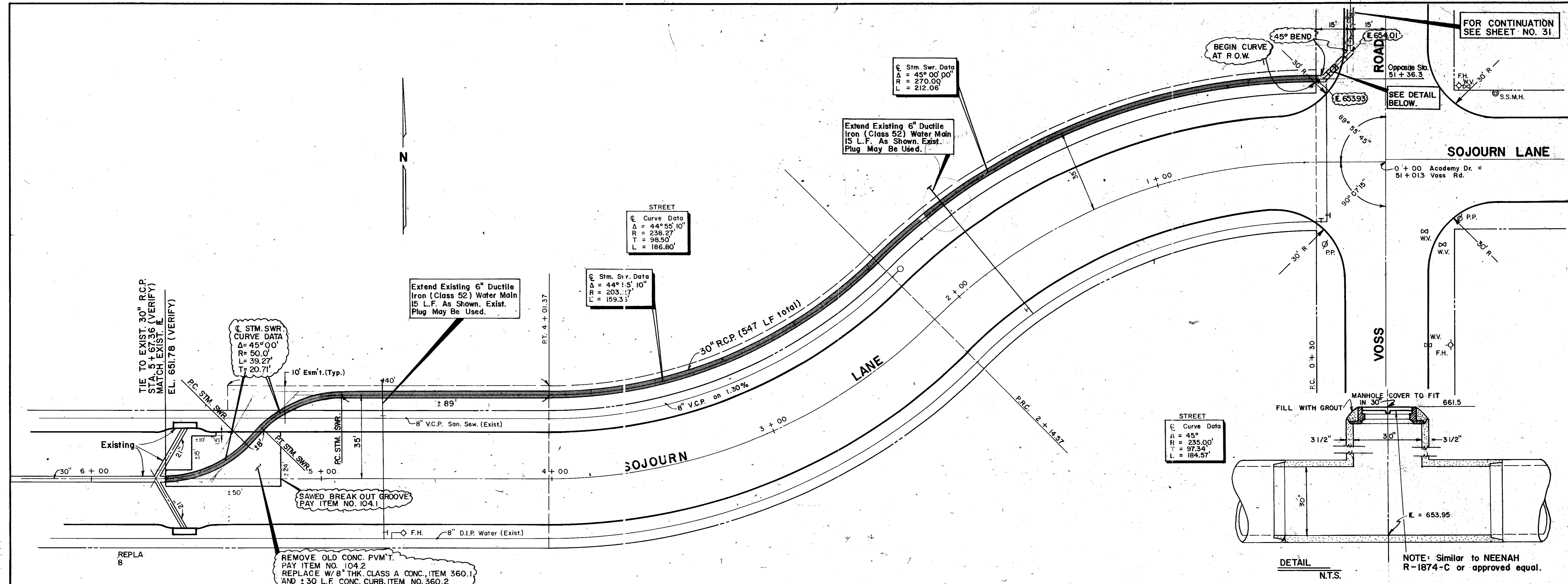
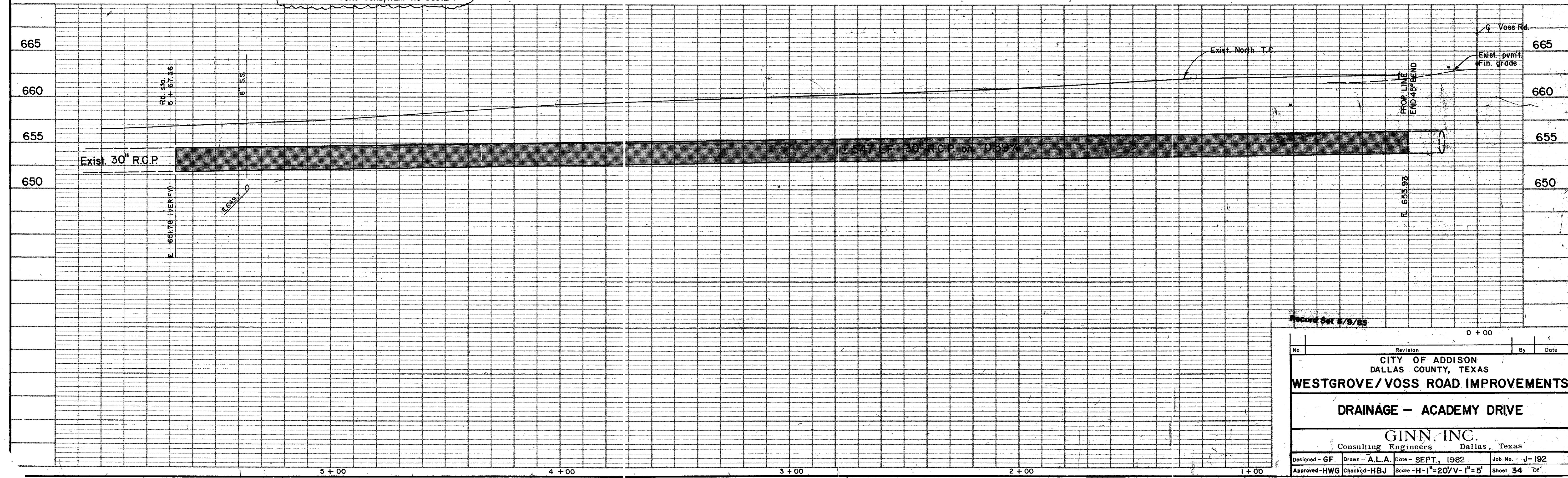


FOR CONTINUATION  
SEE SHEET NO. 31.



DETAIL  
N.T.S.  
NOTE: Similar to NEENAH  
R-1874-C or approved equal.



Record Set 5/6/88

No.	Revision	By	Date
CITY OF ADDISON DALLAS COUNTY, TEXAS <b>WESTGROVE/VOSS ROAD IMPROVEMENTS</b> <b>DRAINAGE - ACADEMY DRIVE</b> <b>GINN, INC.</b> Consulting Engineers Dallas, Texas			
Designed - GF	Drawn - A.L.A.	Date - SEPT., 1982	Job No. - J-192
Approved - HWG	Checked - HBJ	Scale - H-1"=20'/V-1"=5'	Sheet 34 of