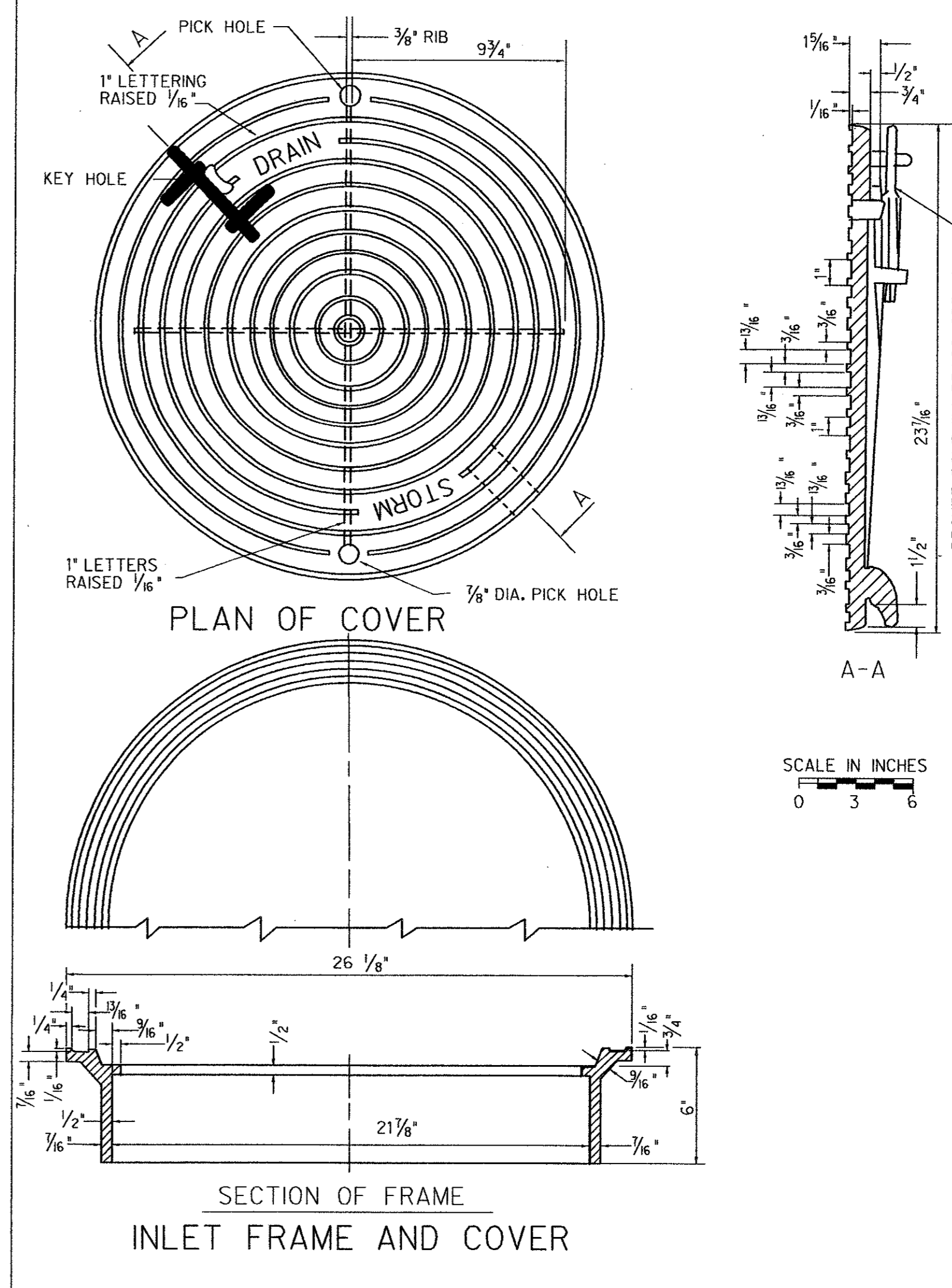


CURB INLET DETAILS  
36, 48 AND 60 INCH INLETS  
N.T.S.



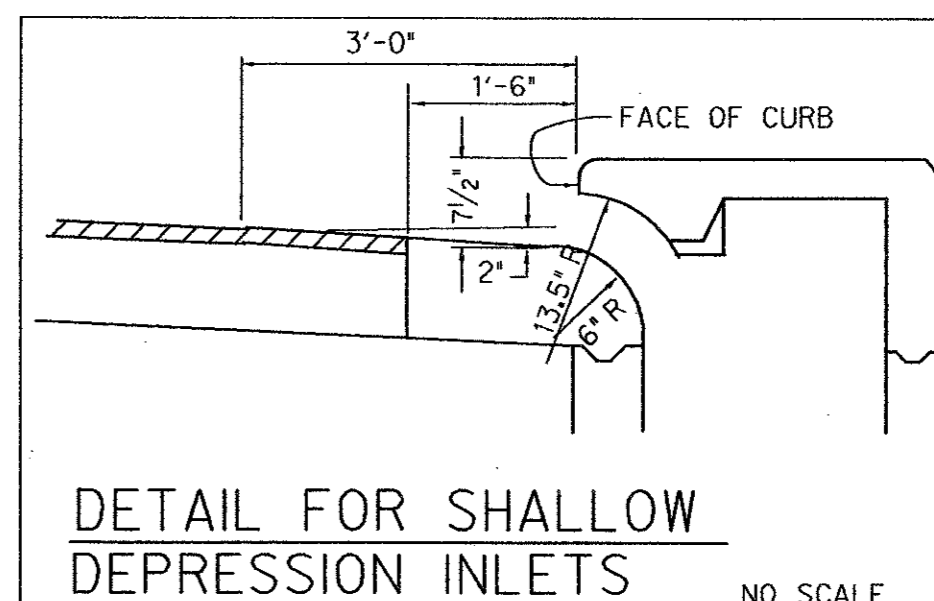
2'-6"	36" INLET - 4 REOD.
2'-6"	48" INLET - 4 REOD.
2'-6"	60" INLET - 4 REOD.

2'-9"	36" INLET - 4 REOD.
2'-9"	48" INLET - 6 REOD.
2'-9"	60" INLET - 8 REOD.

3'-9"	36" INLET - 2 REOD. 4'-9" LONG
4'-9"	48" INLET - 2 REOD. 5'-9" LONG
5'-9"	60" INLET - 2 REOD. 6'-9" LONG

3'-0"	36", 48" & 60"
	3/8" O.C. 3 REOD.

REINFORCING STEEL DETAILS NOT TO SCALE



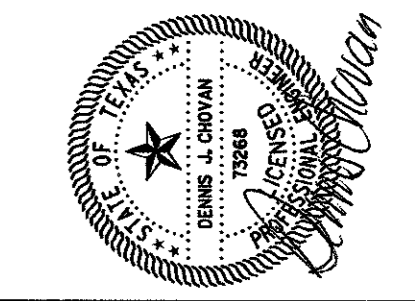
NOTES APPLICABLE TO ALL INLETS:

- LATERAL PIPE MAY ENTER INLET AT ANY LOCATION. REINFORCEMENT, STRUCTURAL STEEL AND CASTINGS SHALL CONFORM TO THE SPECIFICATIONS.
- TOP OF INLET SLOPE SHALL CONFORM TO ADJACENT PARKWAY NORMAL 1/4" FT. SLOPE.
- CONCRETE FOR INLET TOPS SHALL BE CLASS HAND FINISH CONCRETE (4500 PSI) WHEN USED IN STREETS AND ALLEYS.
- ALTERNATE CONSTRUCTION. ALTERNATE PRECAST INLETS MAY BE APPROVED ON AN INDIVIDUAL BASIS PRECAST INLETS SHALL BE OF EQUAL OR BETTER STRENGTH MATERIAL, AND WORKMANSHIP AND SHALL MEET THE STANDARD DESIGN CRITERIA OF THE CAST-IN-PLACE INLETS SHOWN IN THESE DETAILS.
- THE INLET FRAME & COVER SHALL BE AT THE SAME END OF INLET AS PIPE LATERAL.
- PROVIDE SHEET JOINTS IN INTEGRAL CONCRETE STREET PAVEMENT AS SHOWN.

\*AS-BUILT PLAN BASED ON CONTRACTOR'S RECORD DRAWINGS\*

OSTEOMED CORPORATION FACILITY  
ADDISON, TEXAS

THE SEAL APPEARING ON THIS DOCUMENT HAS AUTHORIZED BY BOARD OF ARCHITECTS AND SURVEYORS OF THE STATE OF TEXAS. THIS DOCUMENT IS NOT VALID UNLESS IT IS SIGNED AND SEALED BY A LICENSED PROFESSIONAL ENGINEER OR SURVEYOR. THE SEAL OF THE ENGINEER OR SURVEYOR IS AN OFFENSE UNDER THE TEXAS ENGINEERING PRACTICE ACT, CHAPTER 901, SUBCHAPTER C, SECTION 051.001, TEXAS STATUTES AT THE OFFICES OF HALFF ASSOCIATES, INC. 800 NORTHWEST PLAZA DRIVE, DALLAS, TEXAS 75225



**Halff Associates, Inc.**  
ENGINEERS • ARCHITECTS • SCIENTISTS • PLANNERS • SURVEYORS  
8616 NORTHWEST PLAZA DRIVE  
DALLAS, TEXAS 75225  
TEL (214) 346-6200  
FAX (214) 739-0095

Project No: AVO # 20079  
Issued: 06/19/02

Revisions:	No.	Date	Description

Drawn by: DD  
Checked by: DJC  
Sheet Title: **STORM DRAINAGE DETAILS**  
Sheet Number: **C5.4**