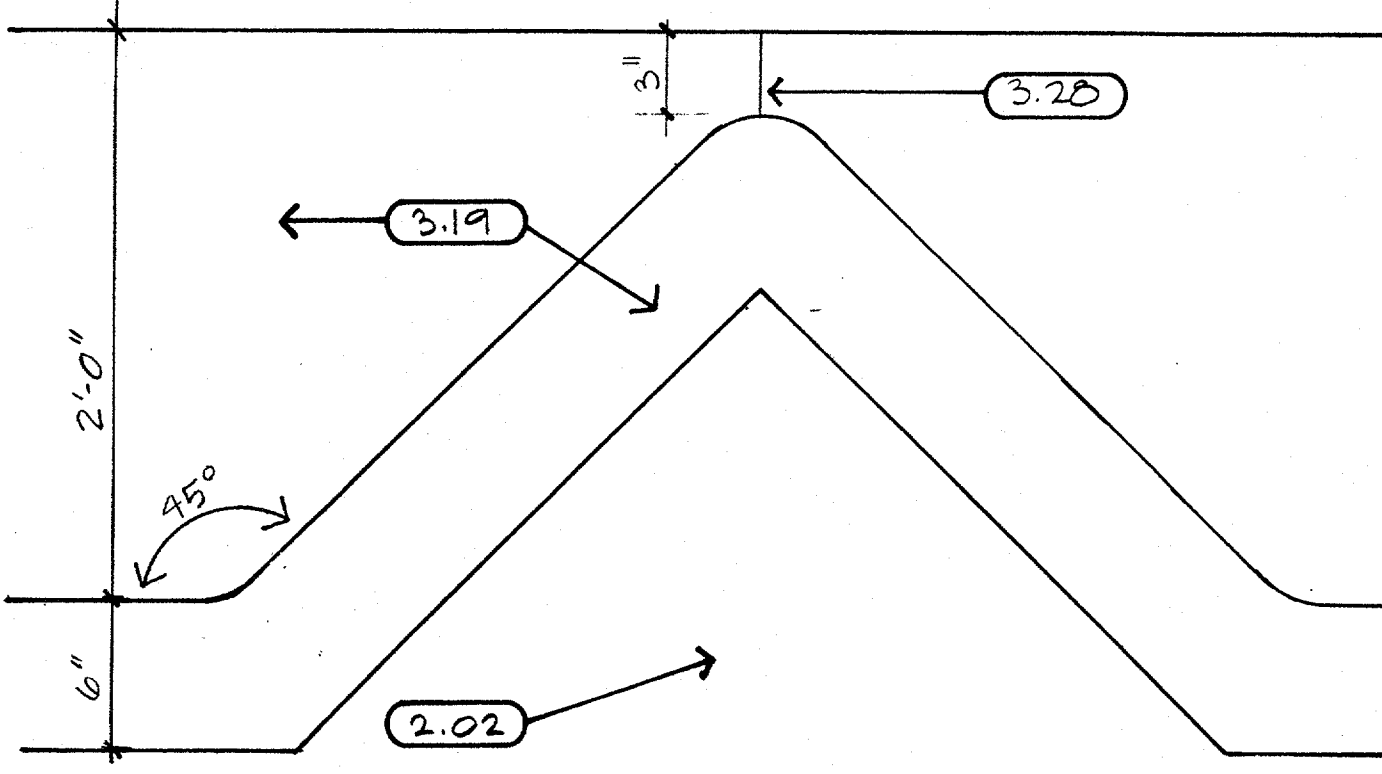


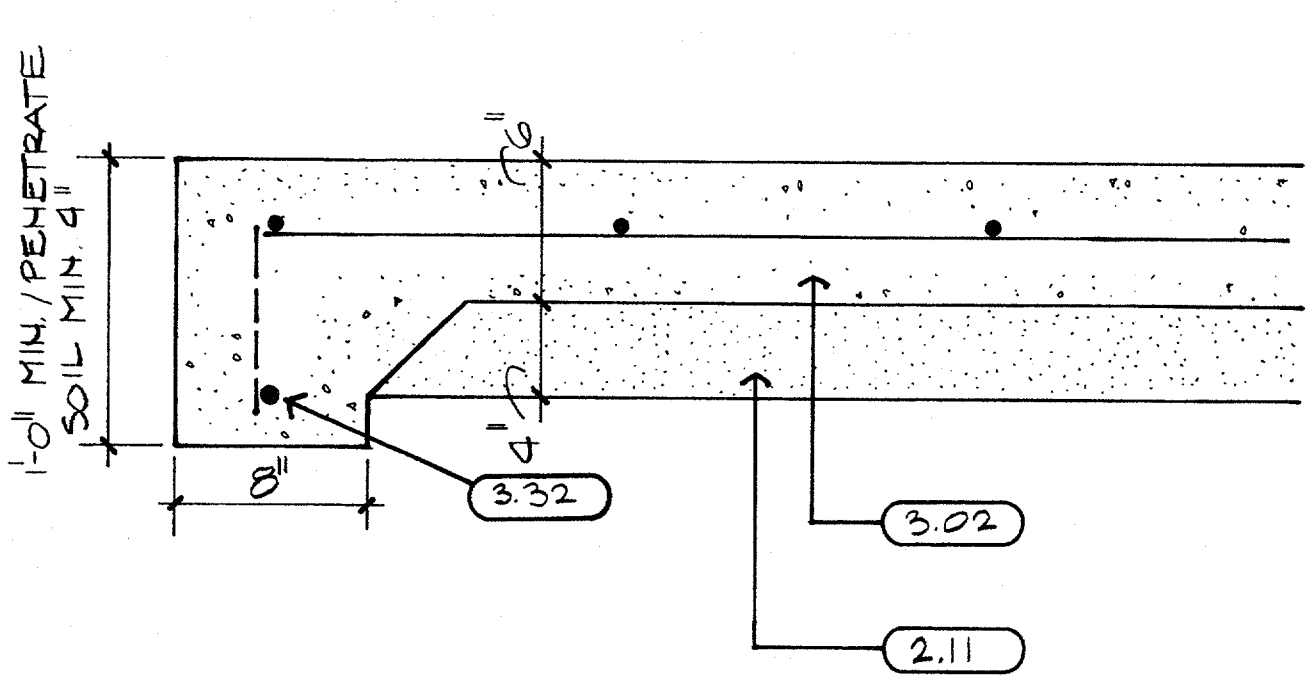
JOB NO SHEET

JOB NO SHEET

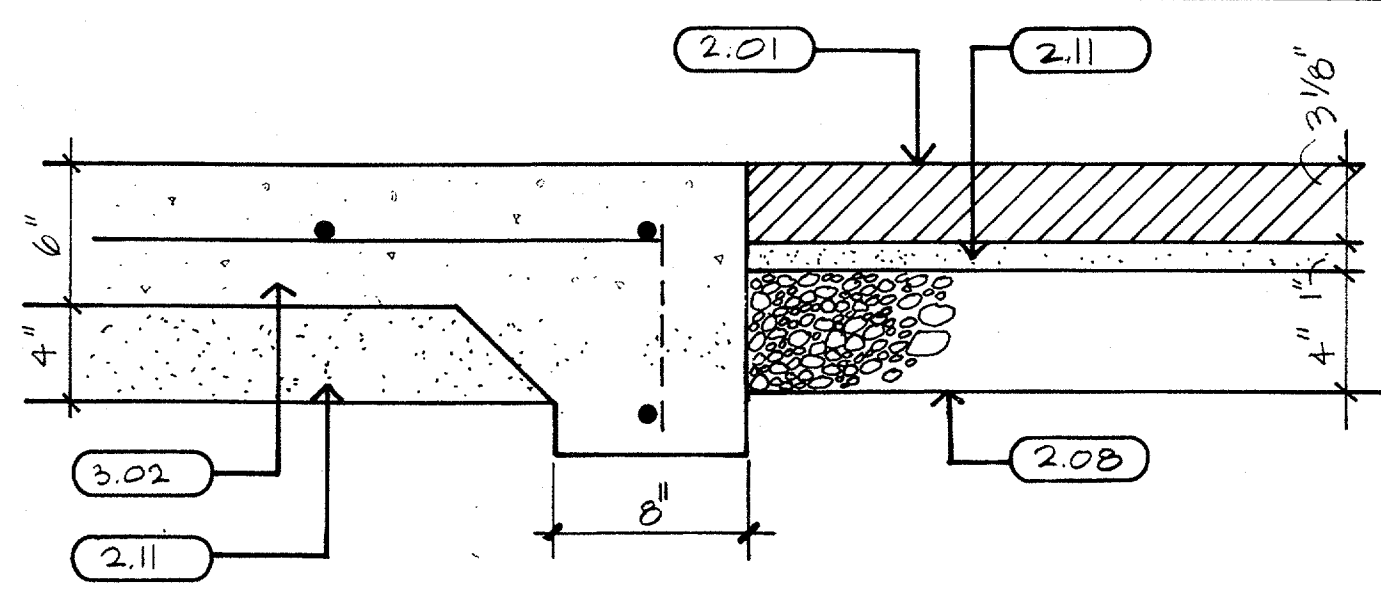
JOB NO SHEET



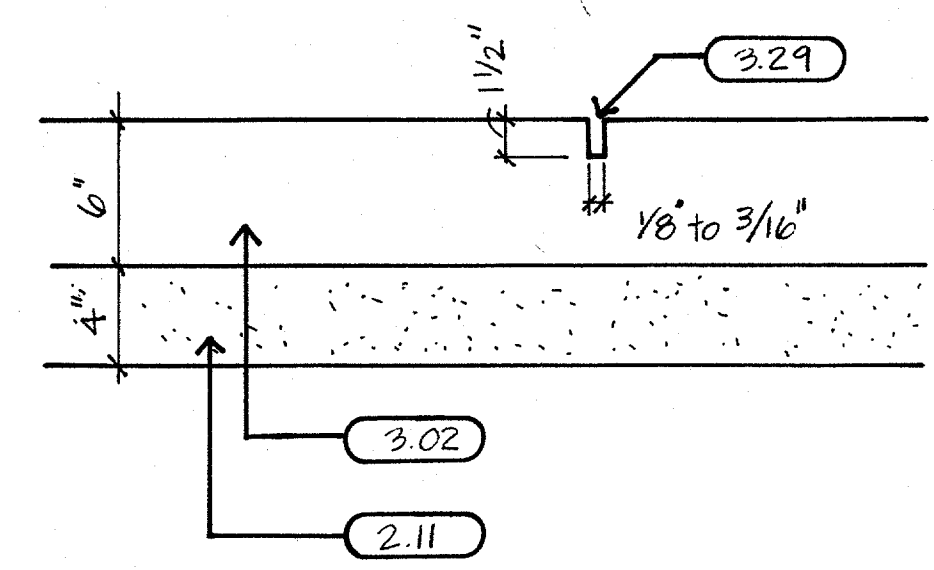
13 PLAN DETAIL
11/2" : 1'-0"



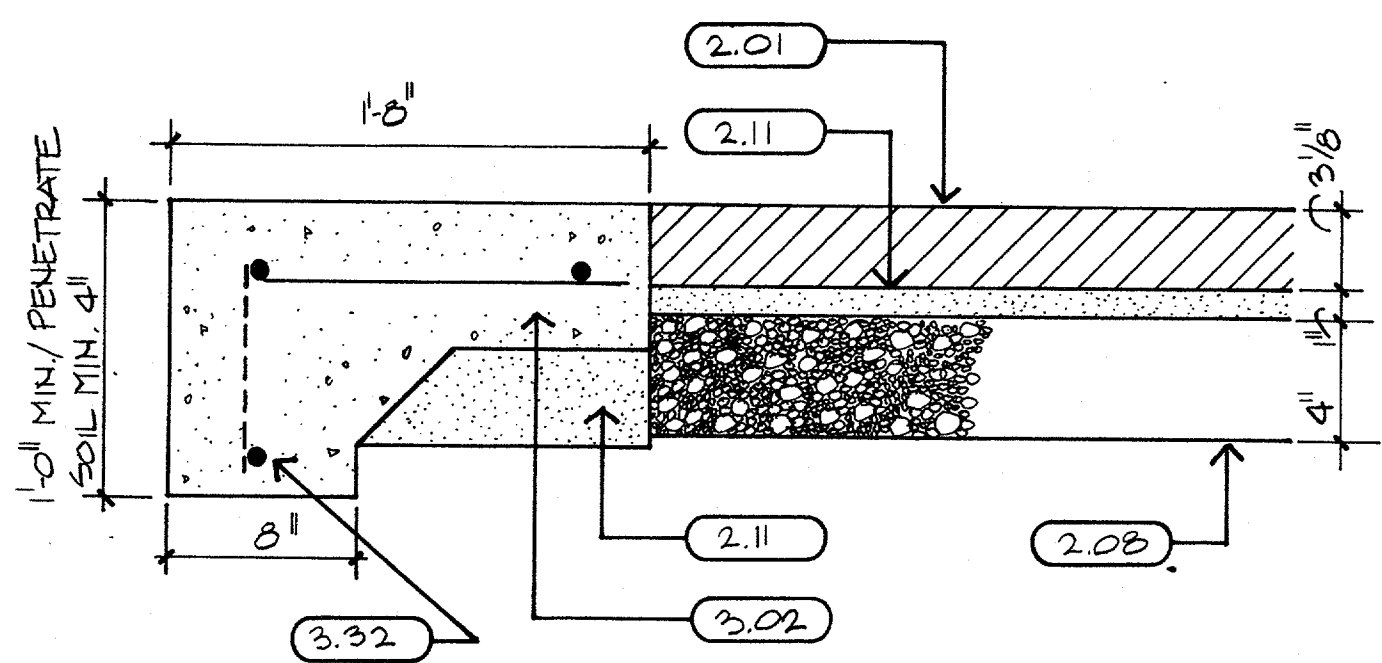
09 DETAIL
11/2" : 1'-0"



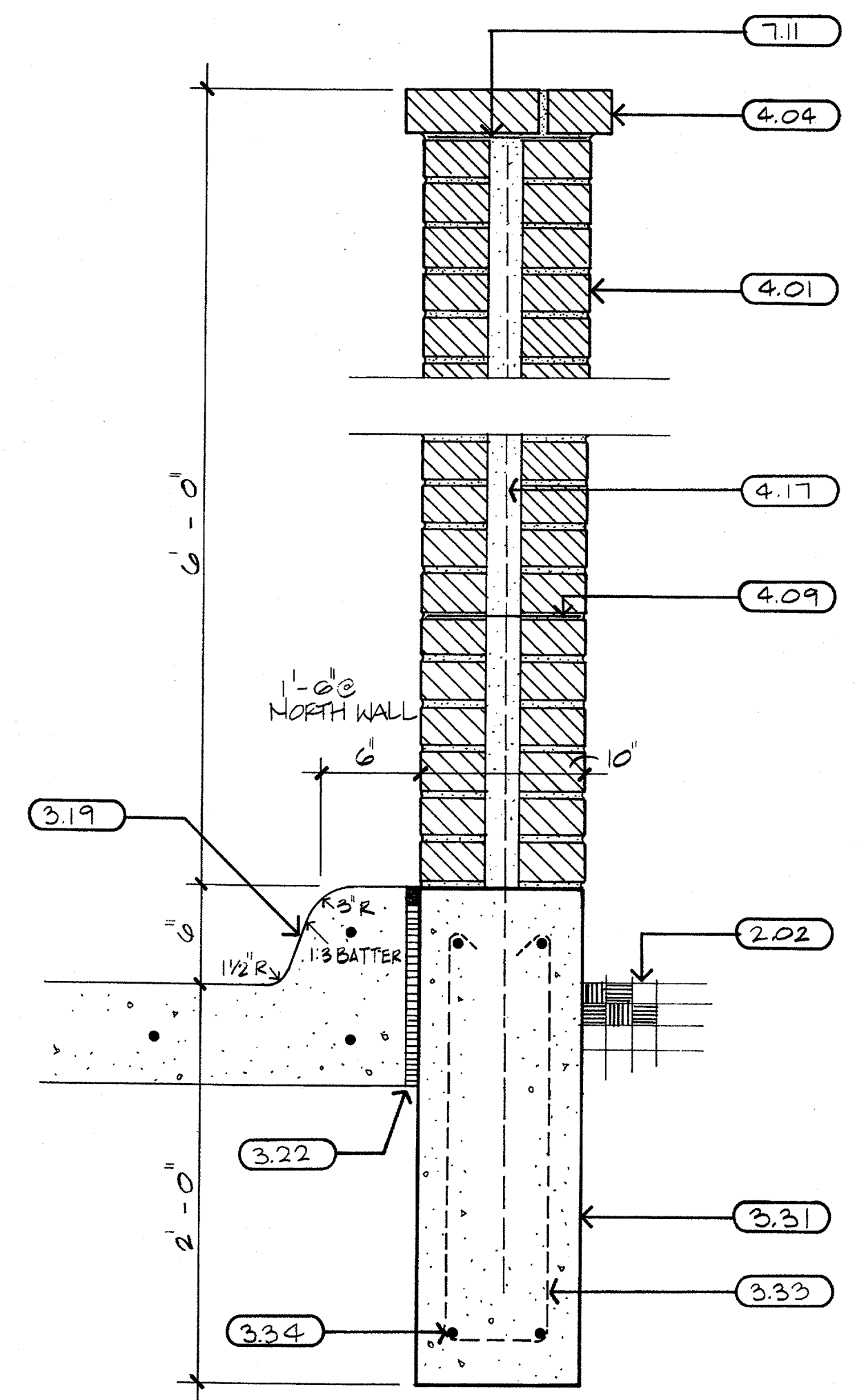
05 DETAIL
11/2" : 1'-0"



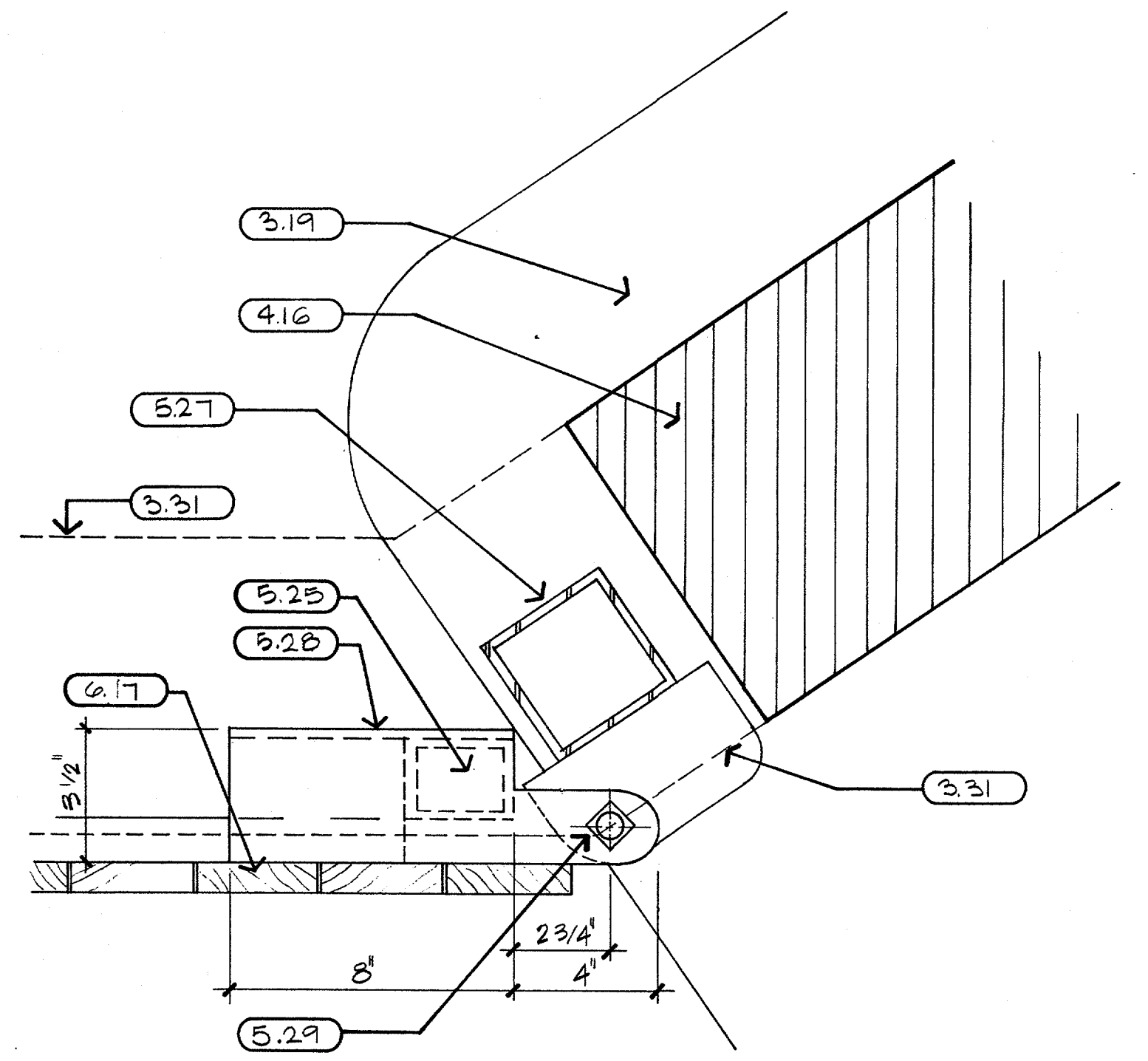
12 DETAIL
11/2" : 1'-0"



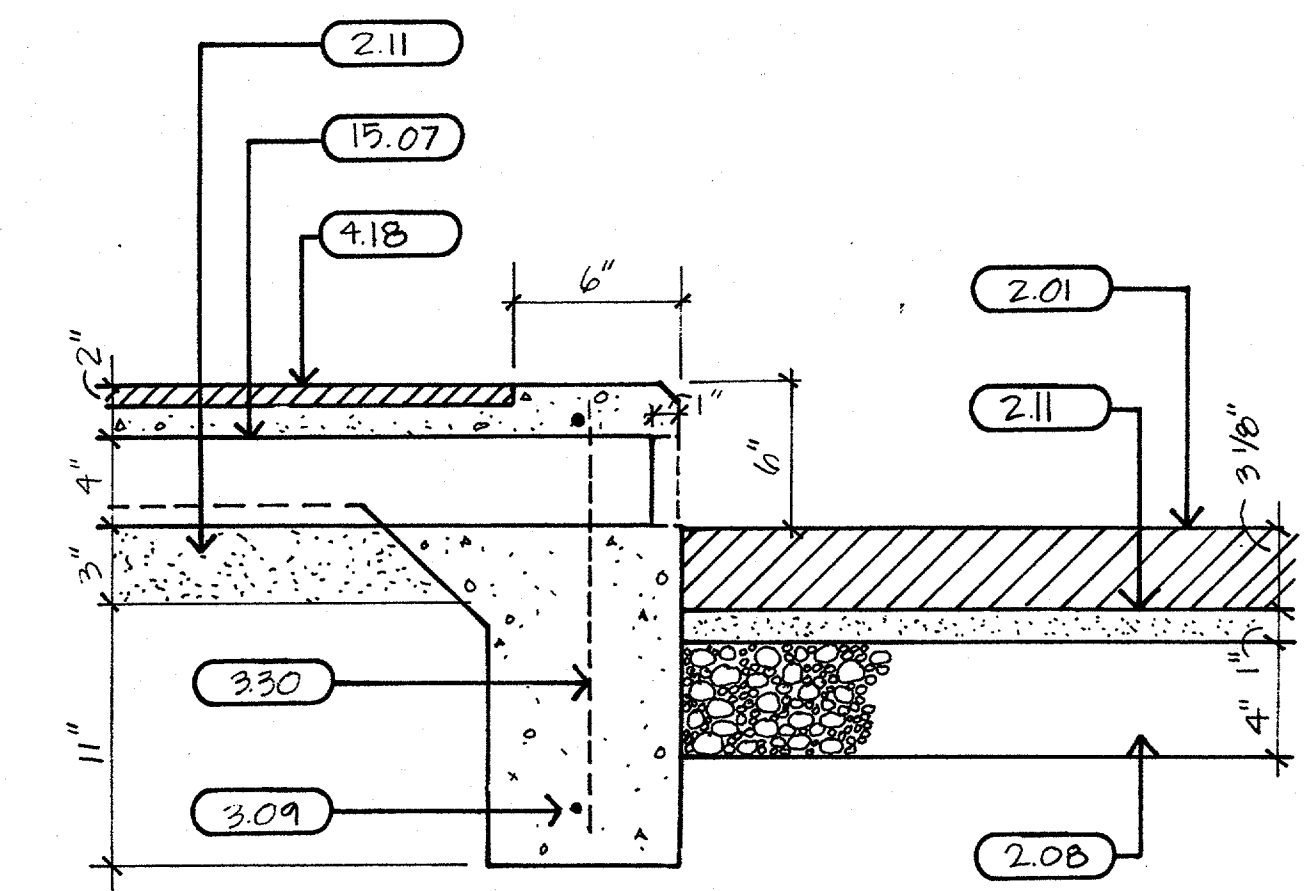
08 DETAIL
11/2" : 1'-0"



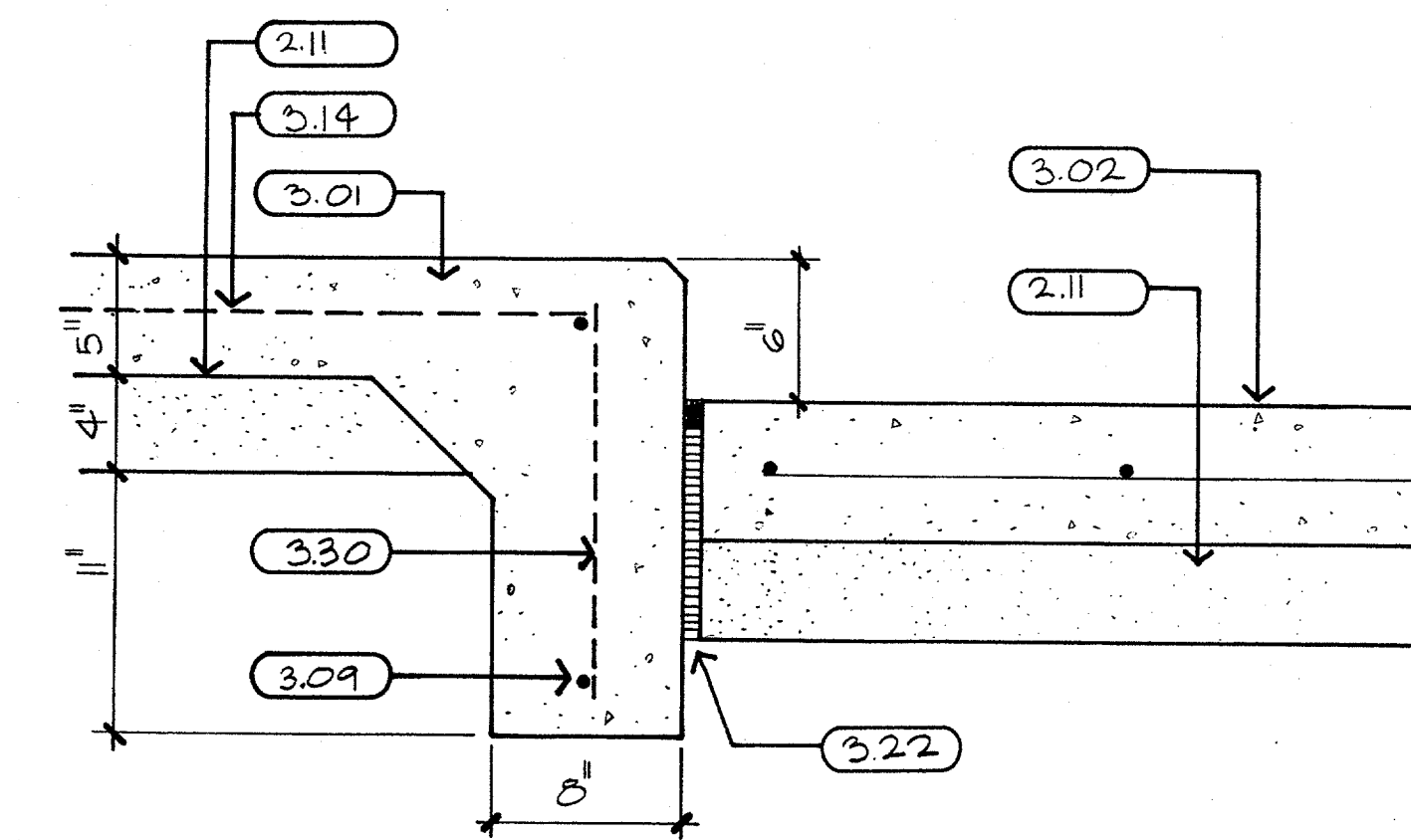
04 SECTION
11/2" : 1'-0"



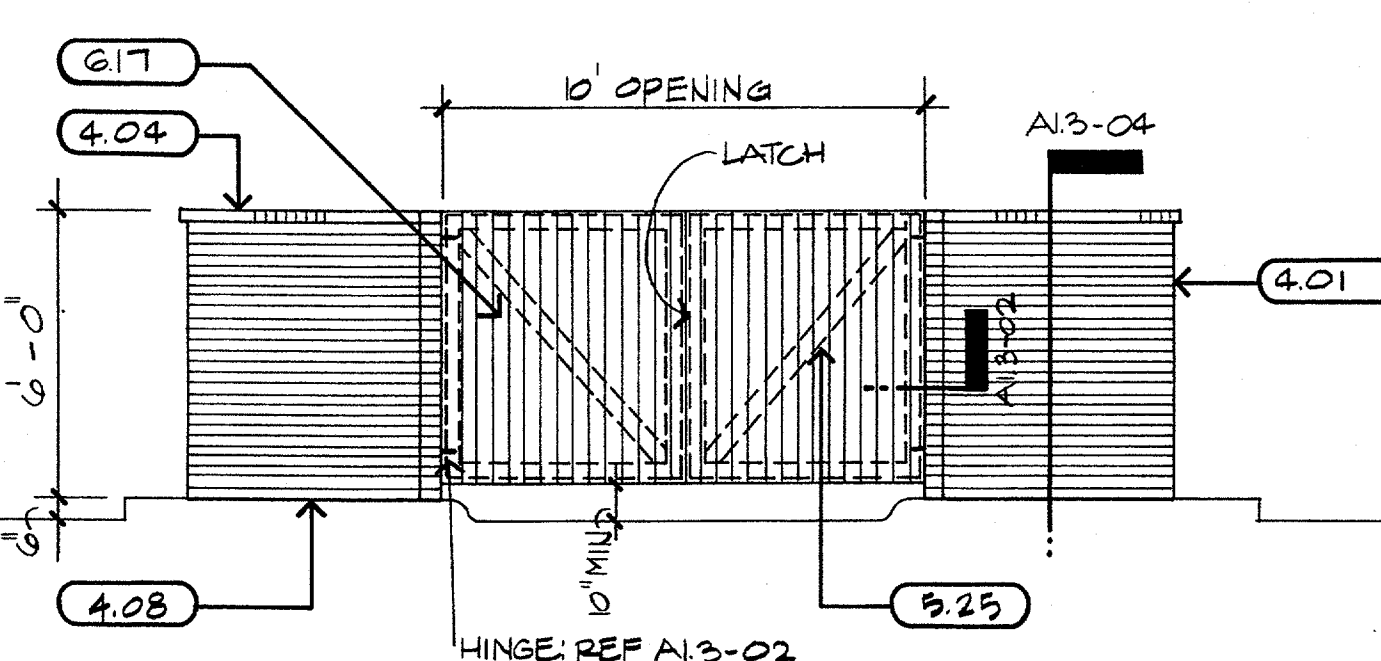
02 JAMB
3" : 1'-0"



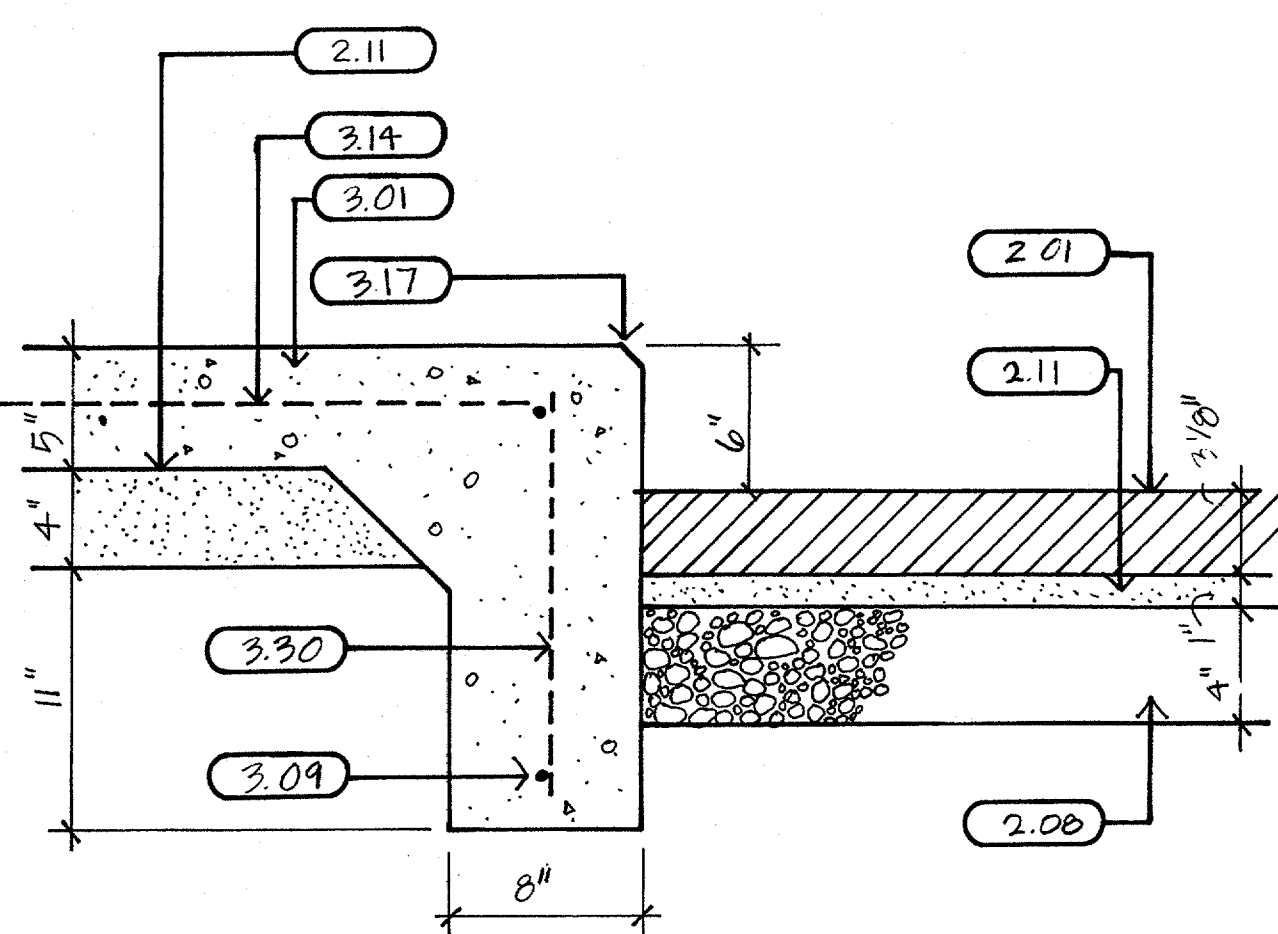
11 DETAIL
11/2" : 1'-0"



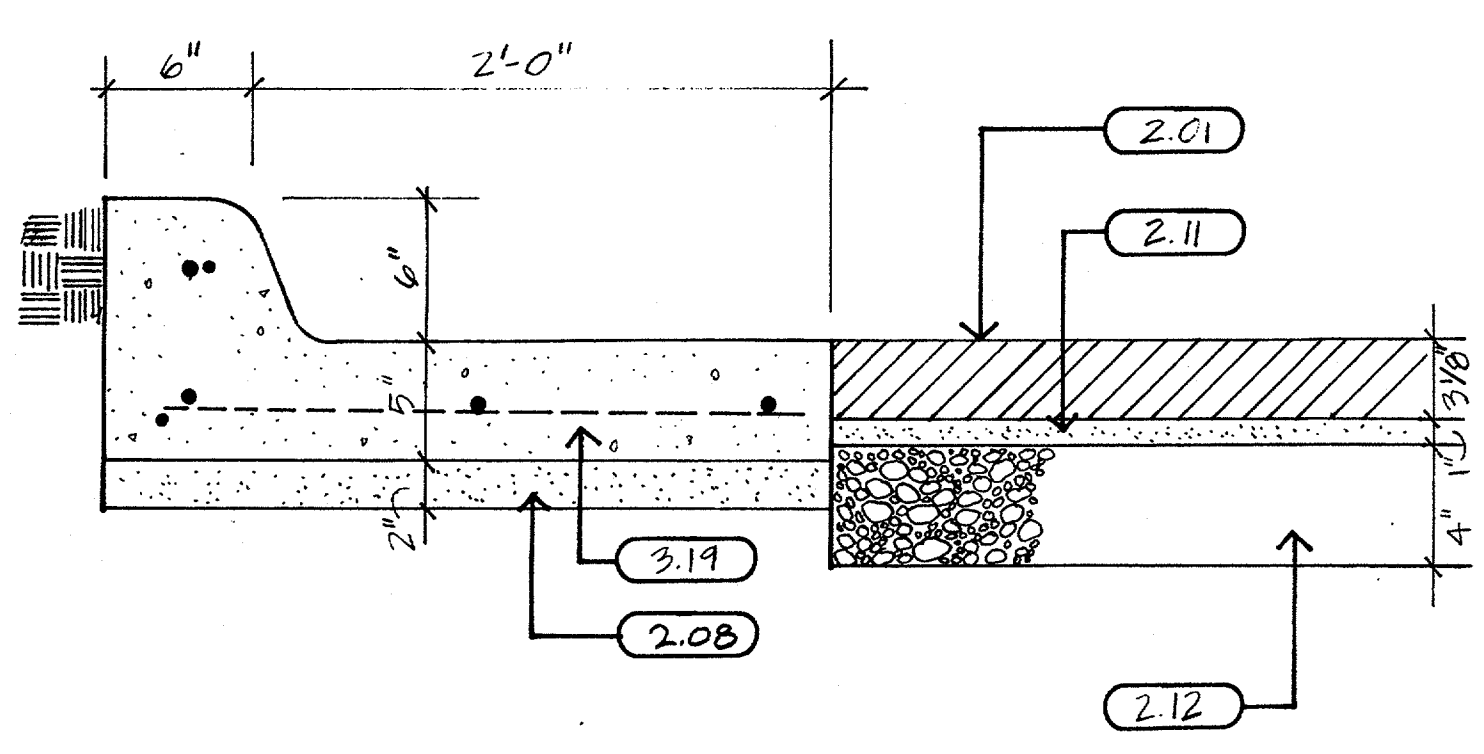
07 DETAIL
11/2" : 1'-0"



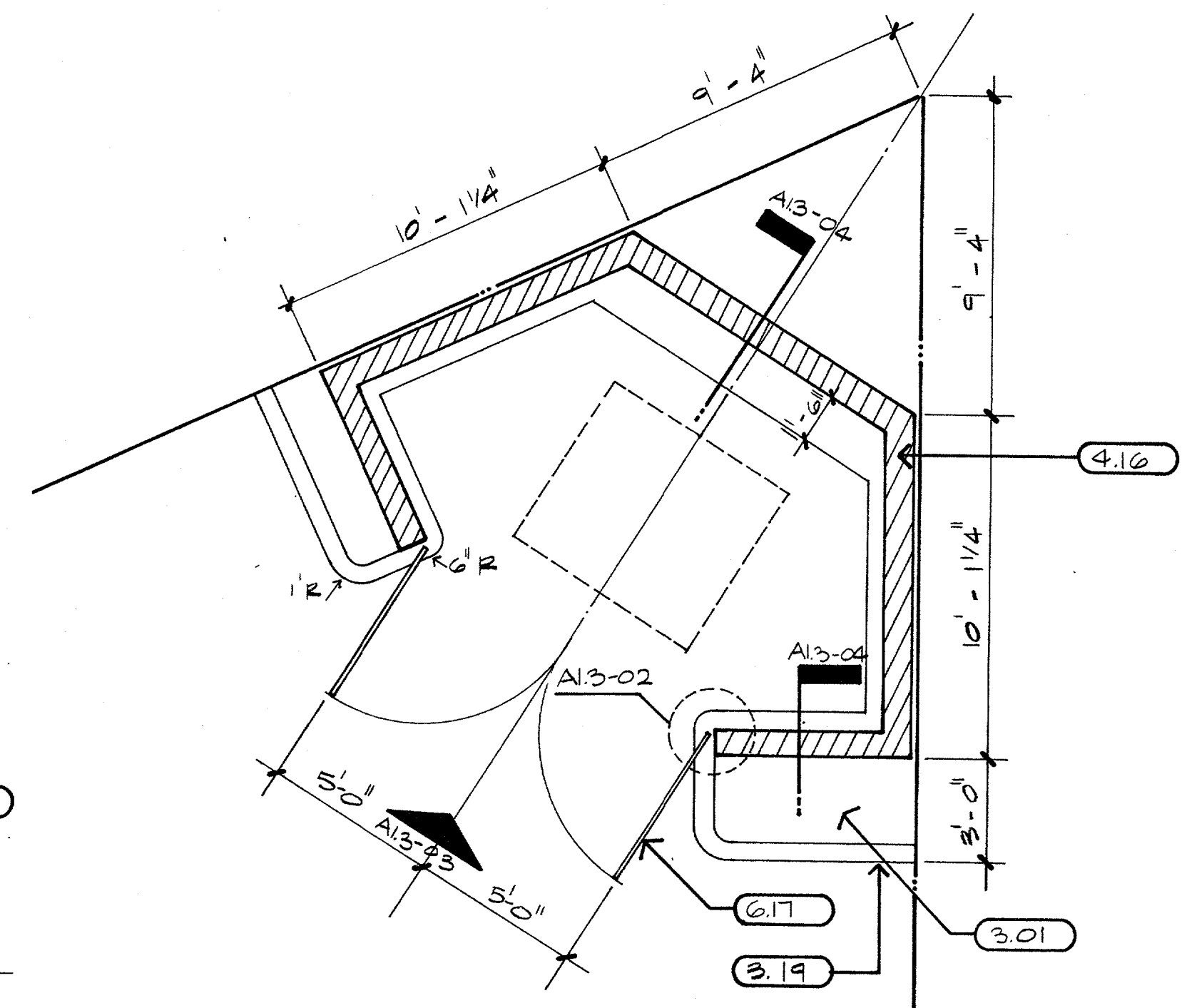
03 ELEVATION
1/4" : 1'-0"



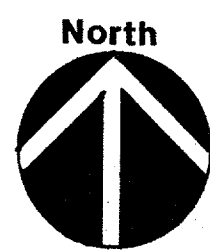
10 DETAIL
11/2" : 1'-0"



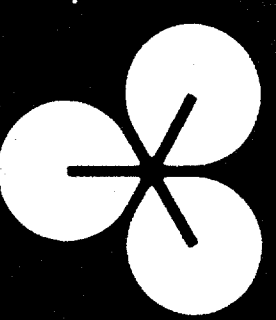
06 DETAIL
11/2" : 1'-0"



01 PLAN
1/4" : 1'-0"



ISSUED FOR PERMIT ONLY



EDI ARCHITECTS, INC.
 ARCHITECTURE PLANNING ENGINEERING INTERIOR DESIGN
 8440 WALNUT HILL LANE
 AMERICAN BANK TOWER
 SUITE 2000
 DALLAS, TEXAS 75201
 214 / 750-1945 512 / 468-8308

Old Town 7-11 / Strip Center
 Ben Pinnell
 Addison, Texas

DATE: 14 MAR 85

SHEET NO: **A1.3**
 OF SHEETS
 JOB NO: 8431.00