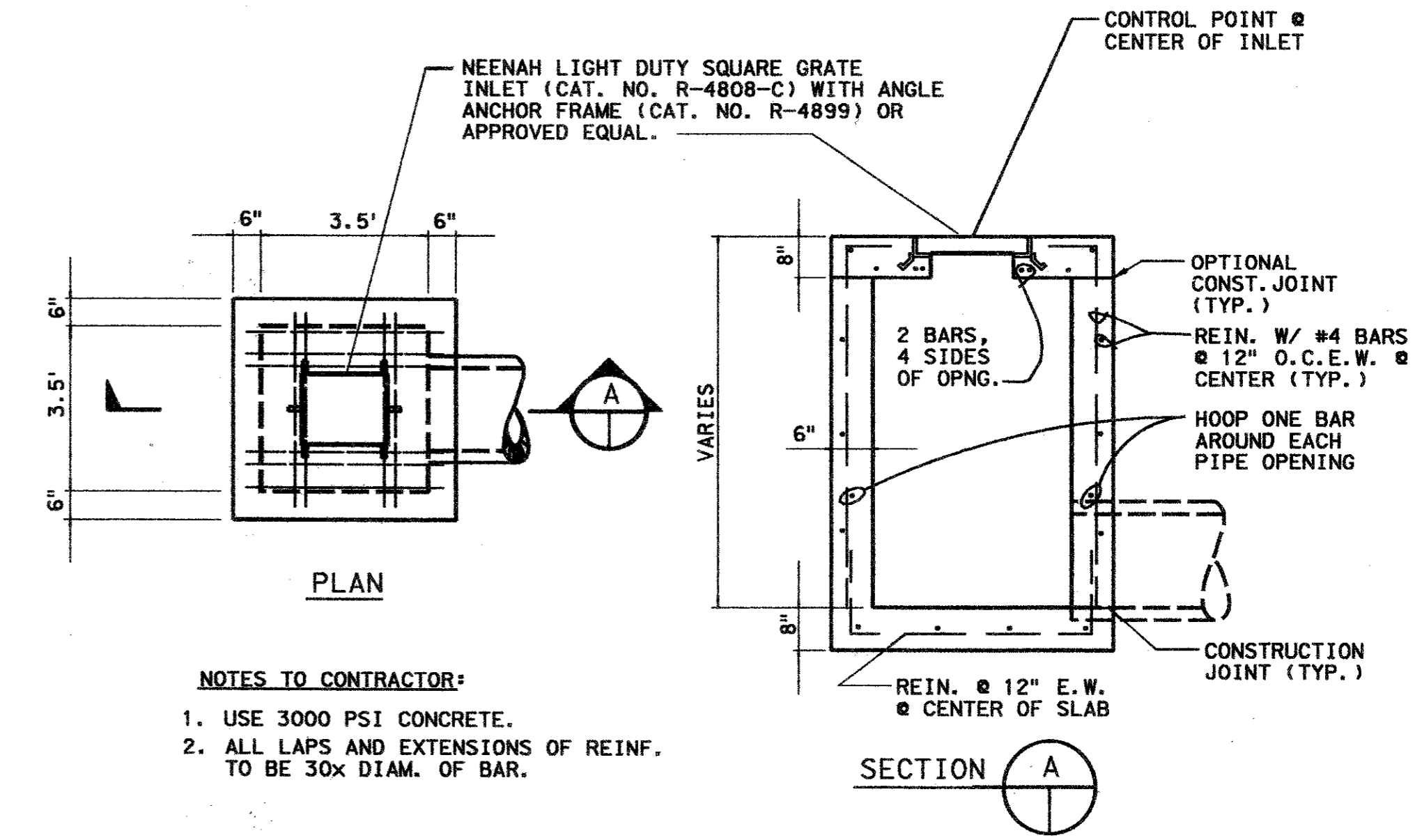
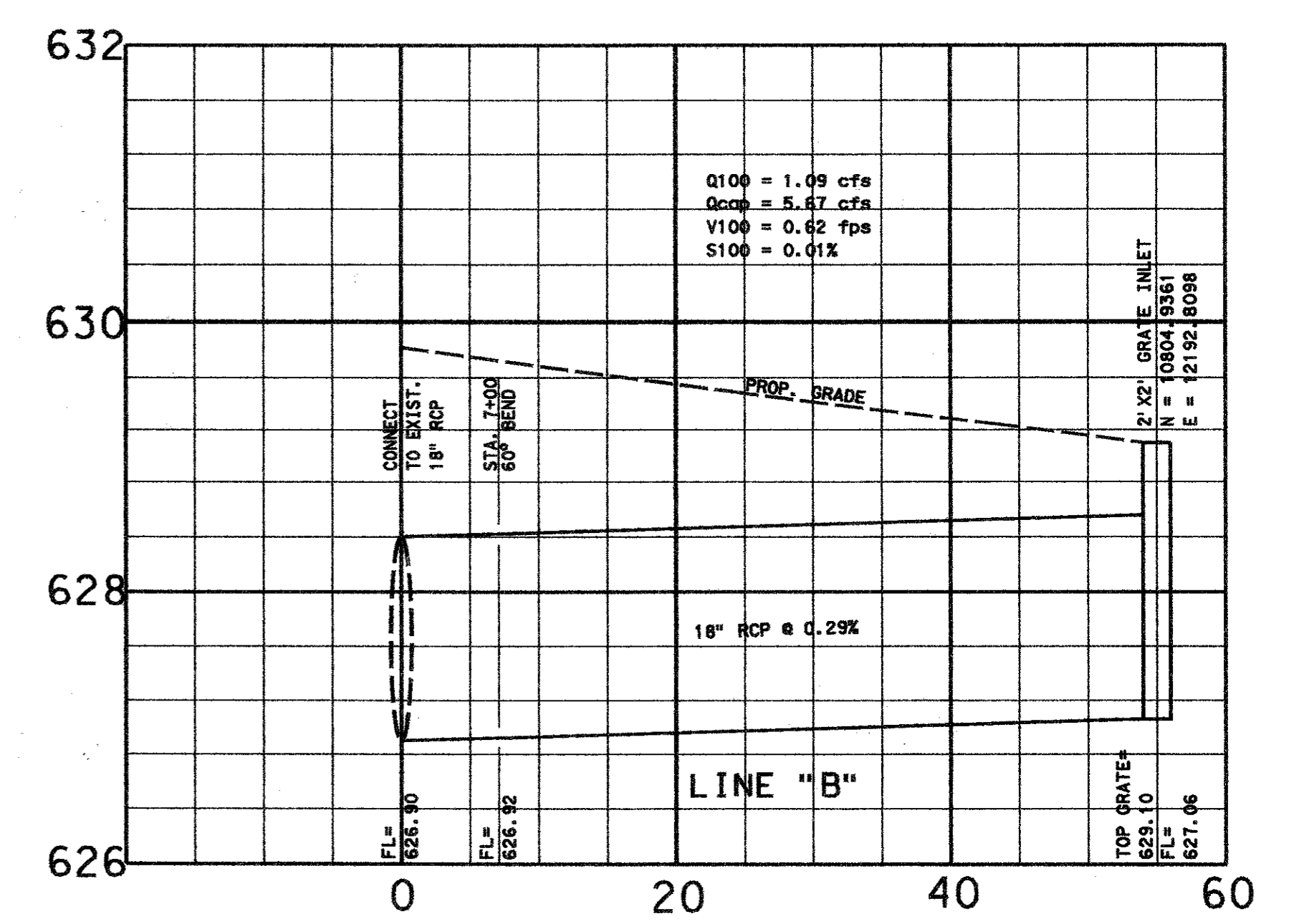
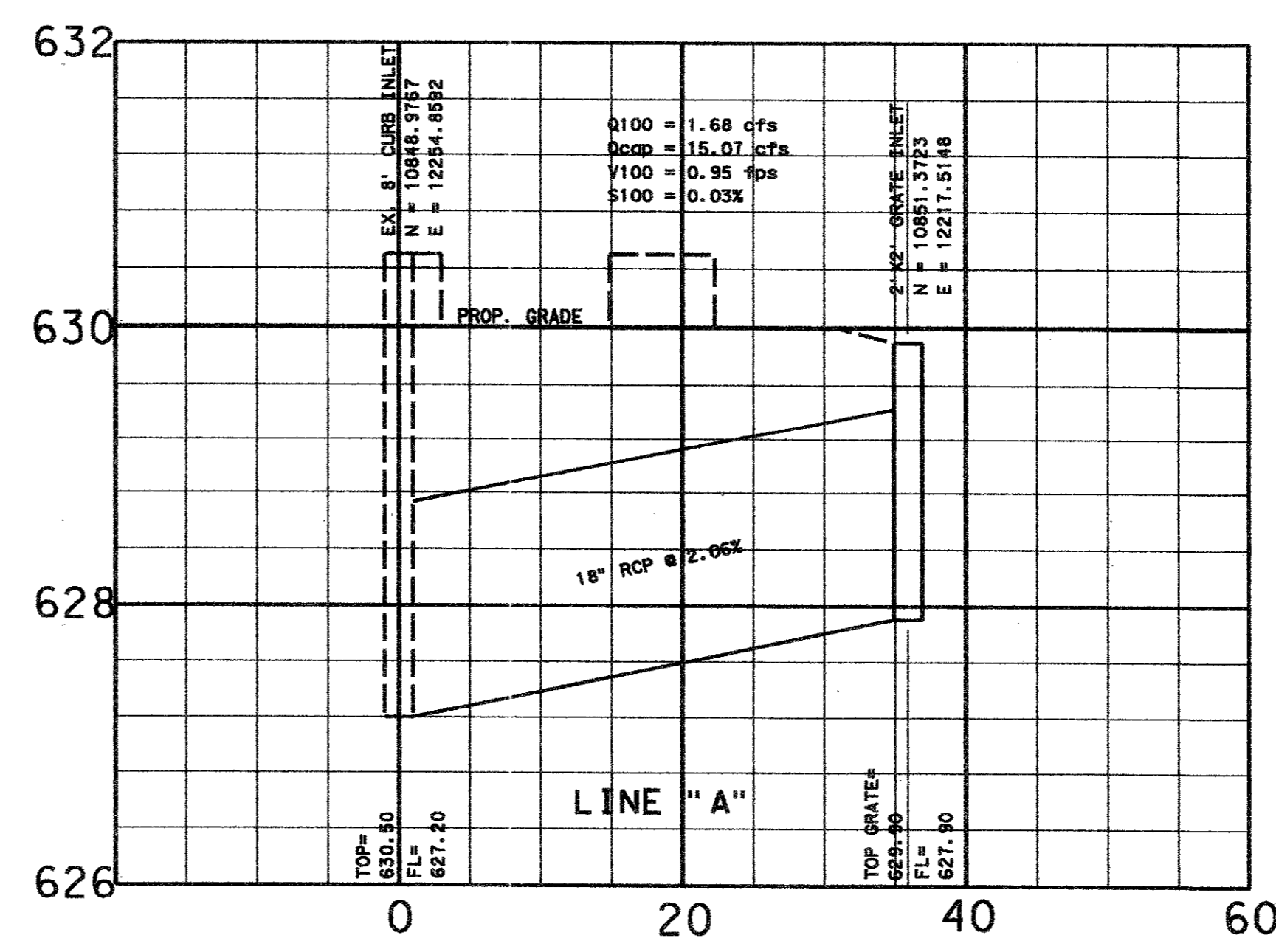
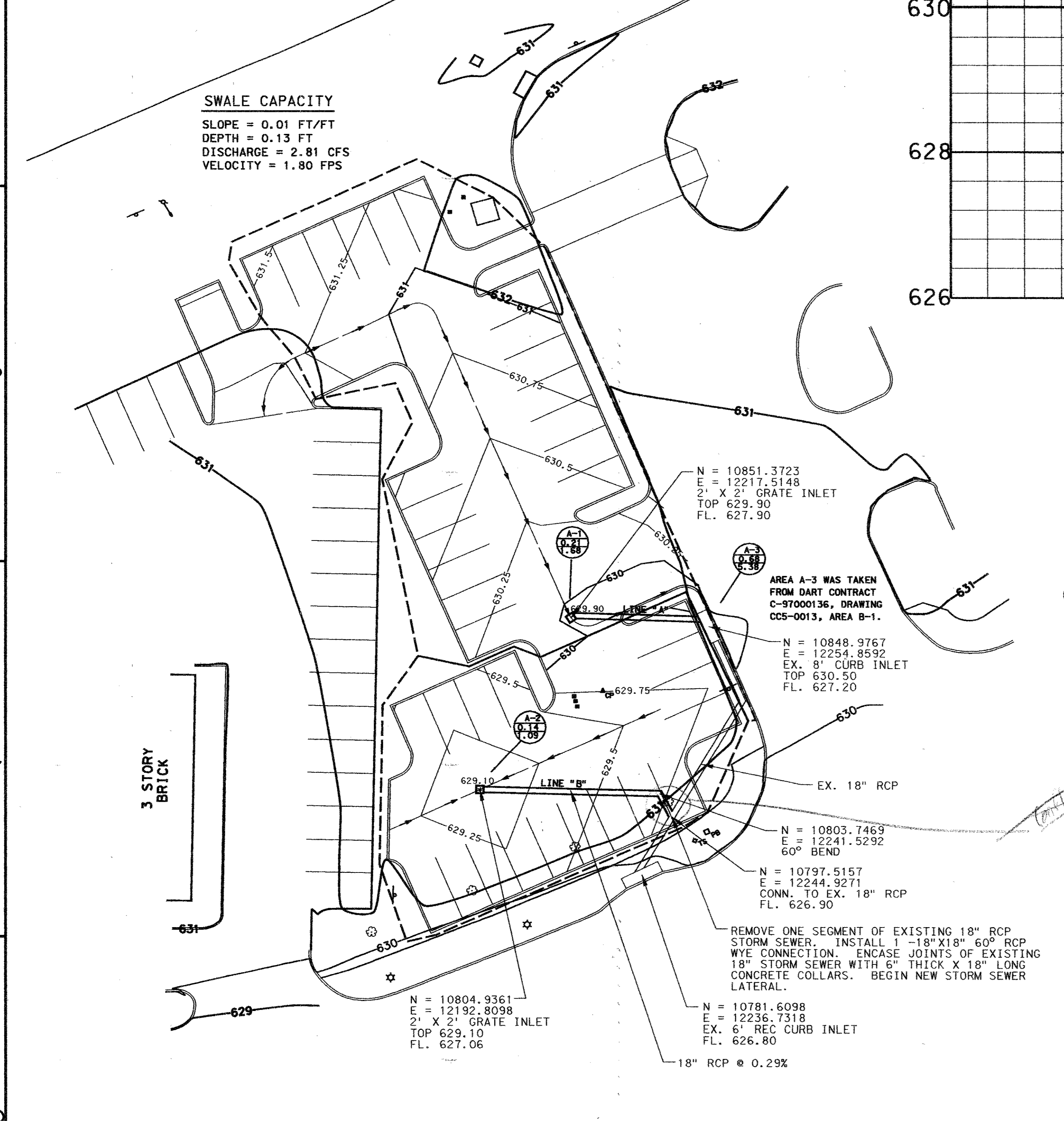


LEGEND

- DRAINAGE AREA DIVIDES
- DRAINAGE FLOW ARROWS
- DRAINAGE AREA NUMBER
- DRAINAGE AREA IN ACRES
- 100 YEAR STORM RUNOFF IN c.f.s.
- $Q_{100} = CIA$ WHERE $C=0.90$
- $I_{100} = 8.74$ (T/C=10 MIN.)

SWALE CAPACITY

SLOPE = 0.01 FT/FT
 DEPTH = 0.13 FT
 DISCHARGE = 2.81 CFS
 VELOCITY = 1.80 FPS



REV	DATE	DESCRIPTION	BY	ENG	CHK	APP	REV	DATE	DESCRIPTION	BY	ENG	CHK	APP

TURNER COLLIE & BRADEN INC.

LINDA TYCHER & ASSOCIATES

ARS ENGINEERS INC.

DART PROJECT

SCALE 1"=20'

DRAWN J. RATCLIFF
 DESIGNED J. RATCLIFF
 CHECKED C. BENNETT
 IN CHARGE G. SHIPPY
 DATE APRIL 2002

CONTRACT SHEET NO. 5 OF 13

ADDISON TRANSIT CENTER DRAINAGE + GRADING PLAN

CONTRACT C-96000124-28 DWG NO. REV 0