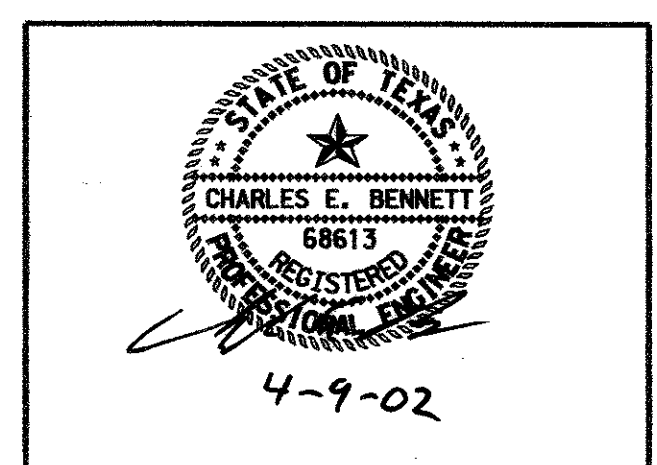
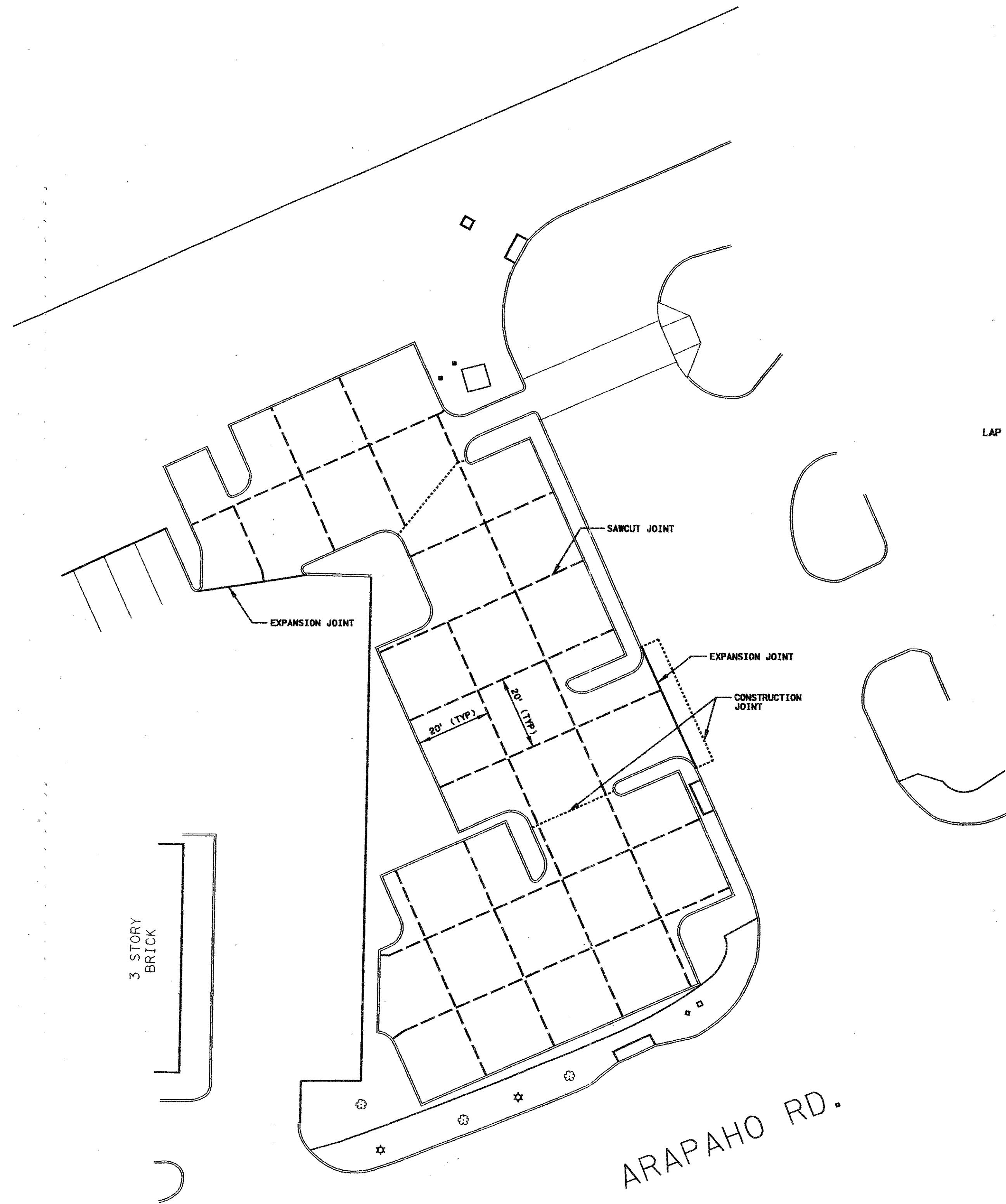
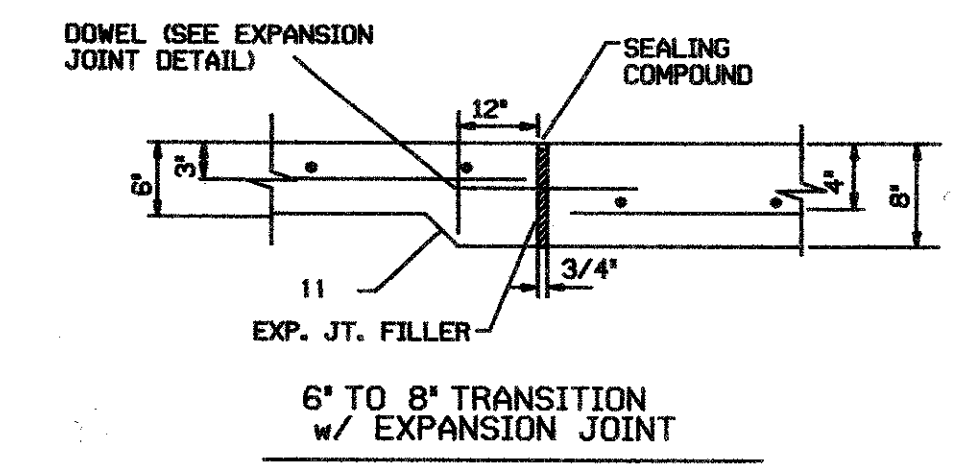
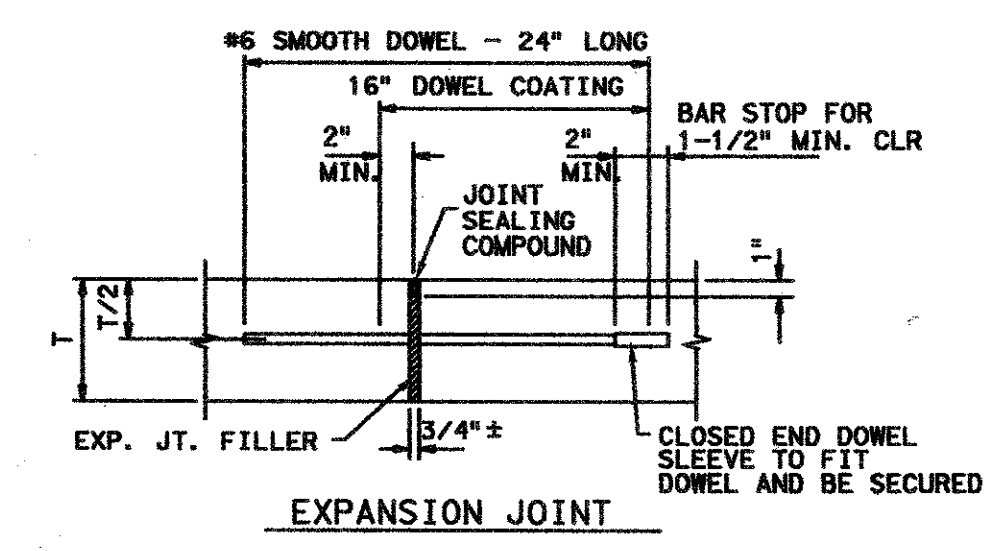
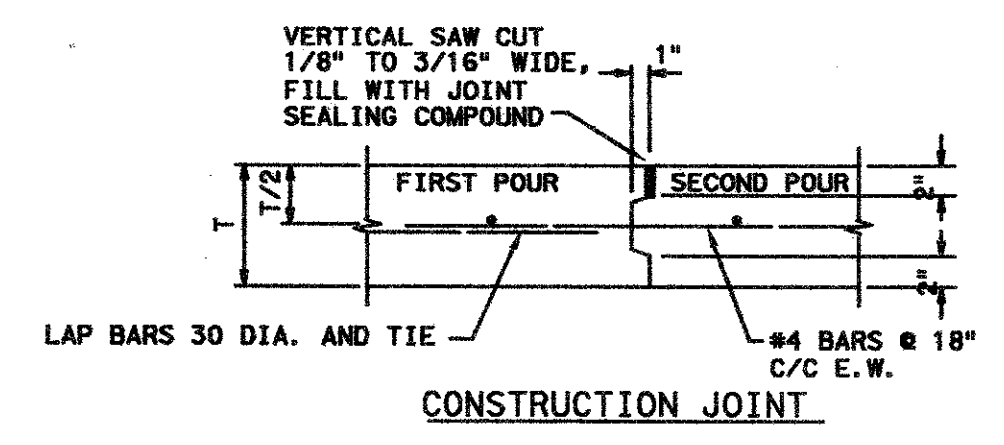
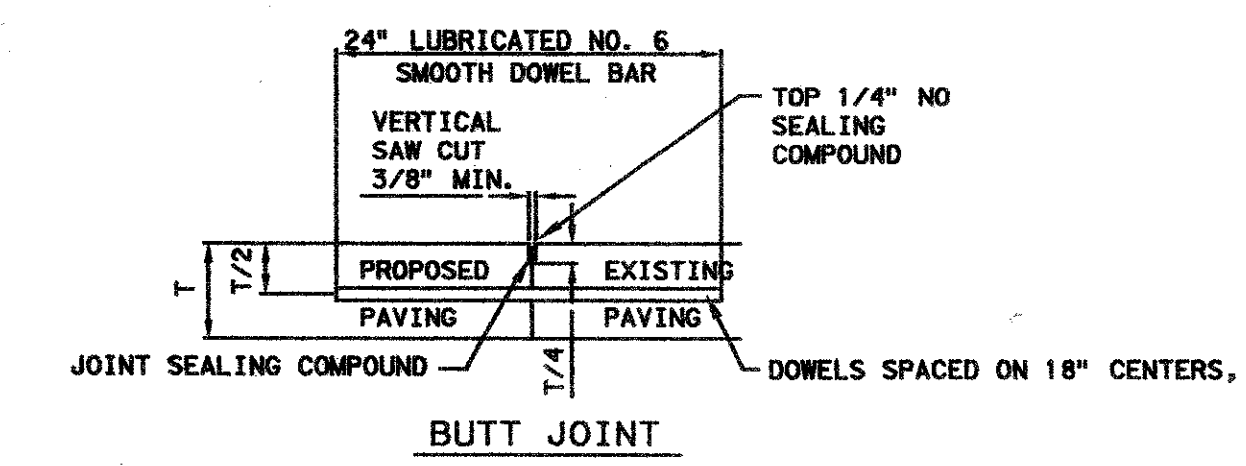


SCALE IN FEET
0 20 40



CONTRACT SHEET NO. 6 OF 13

ADDISON
TRANSIT CENTER
PAVEMENT
JOINT LAYOUT

DART PROJECT



SCALE 1"=20'
DRAWN J. RATCLIFF
DESIGNED J. RATCLIFF
CHECKED C. BENNETT
IN CHARGE G. SHIPPY
DATE APRIL 2002

CONTRACT C-96000124-28 DWG NO. REV 0

REV	DATE	DESCRIPTION	BY	ENG	CHK	APP	REV	DATE	DESCRIPTION	BY	ENG	CHK	APP

TURNER COLLIE & BRADEN INC.
LINDA TYCHER & ASSOCIATES
ARS ENGINEERS INC.