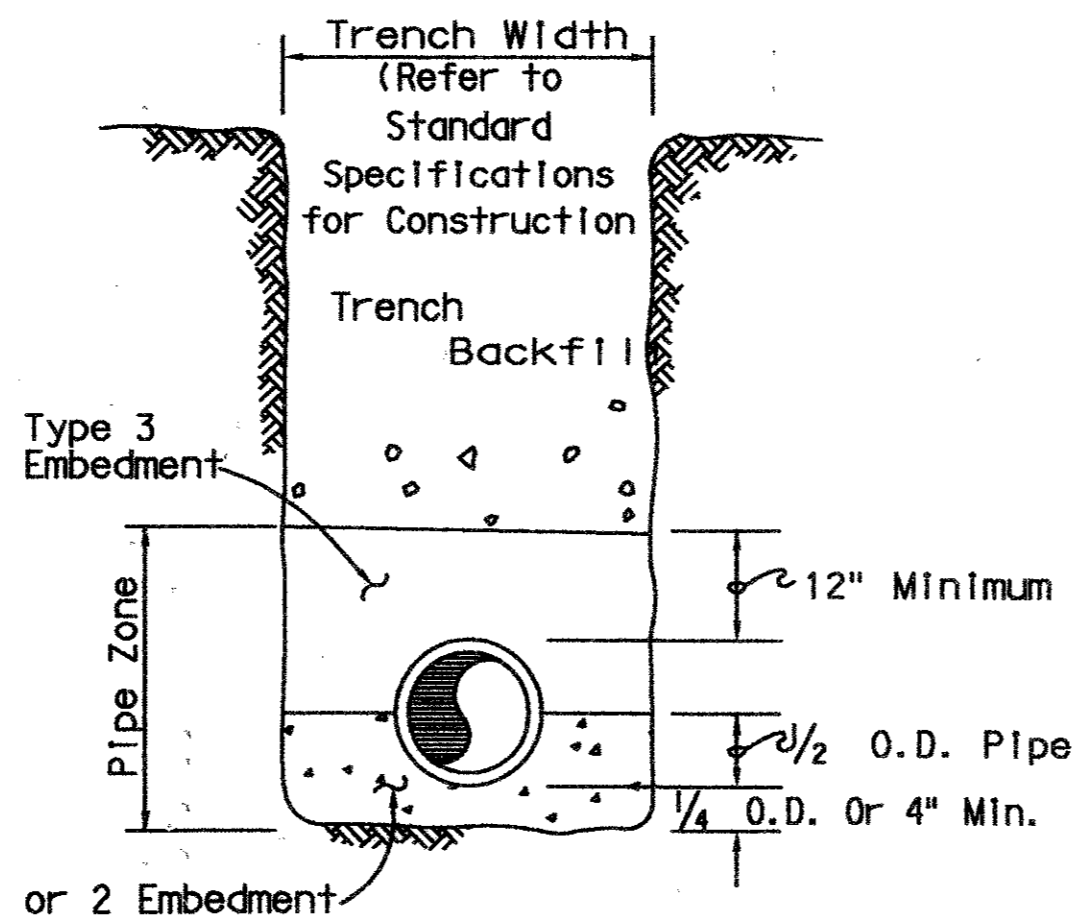


CRUSHED LIMESTONE, TYPE 1, EMBEDMENT: Crushed limestone shall consist of durable particles of crushed stone ranging in size from 3/4" to 1 1/4" with percent of wear not exceeding 35%. The gradation based on ASTM D448 size 67 use as follows:

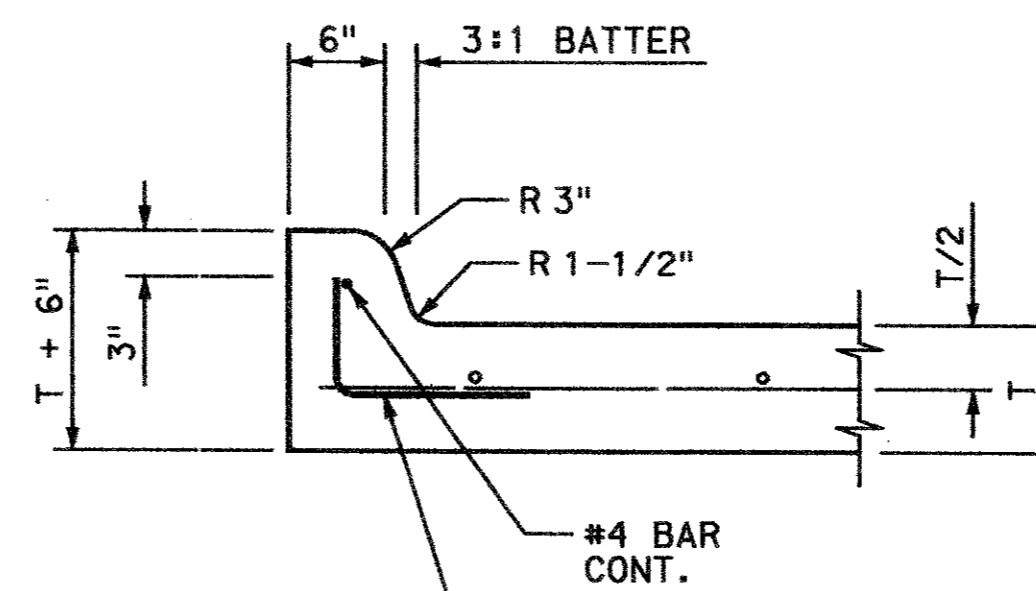
Sieve Size	% By Weight Passing
1"	100
3/4"	90 - 100
3/8"	20 - 55
No. 4	0 - 10
No. 8	0 - 5

GRAVEL, TYPE 2, EMBEDMENT: Gravel for embedment and/or encasement shall be washed gravel ranging in size from 3/4" diameter to 1 1/4" inch diameter meeting the requirements of ASTM designation C33, Gradation 67. The material shall be free from clay and organic material.

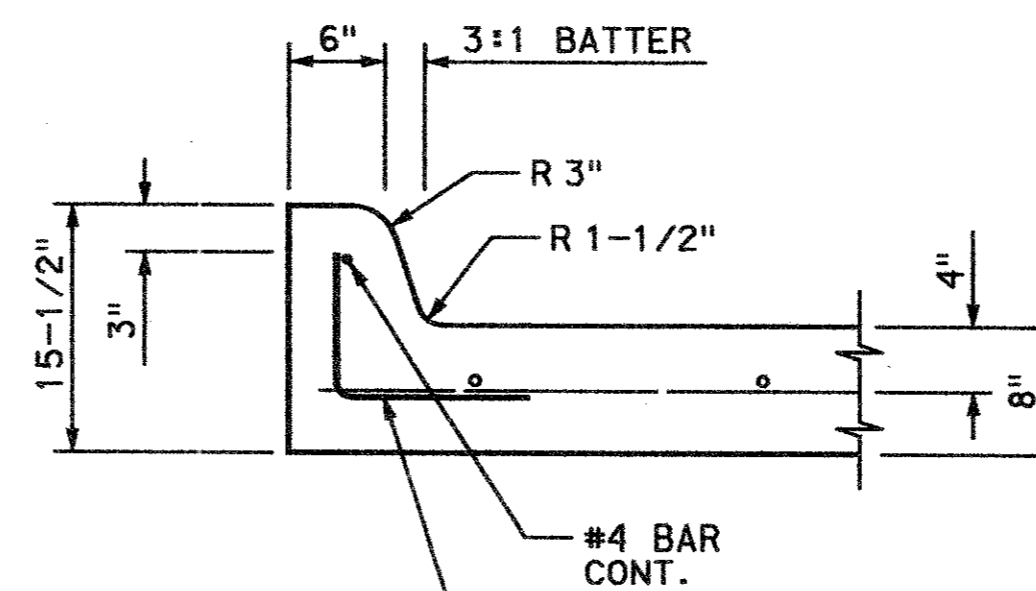
GRANULAR, TYPE 3, EMBEDMENT: Pit run granular embedment material shall be free flowing sand or mixed sand and pea gravel free from large stones, clay and organic material. The material may be an inferior grade of pit run or blow sand not normally considered satisfactory for concrete aggregate and may be used directly from pits without processing, provided it complies with the qualities described herein. The material shall be such that when wet it will not form a mud ball or tend to clog together. The material shall have 100% passing one inch (1") sieve and the plasticity index of that part passing the sieve is obtained from the City.



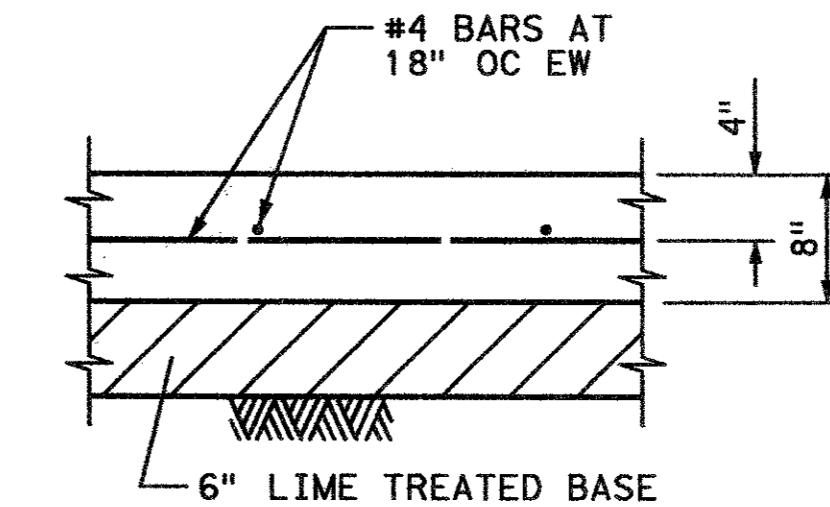
PIPE EMBEDMENT DETAIL
Not To Scale



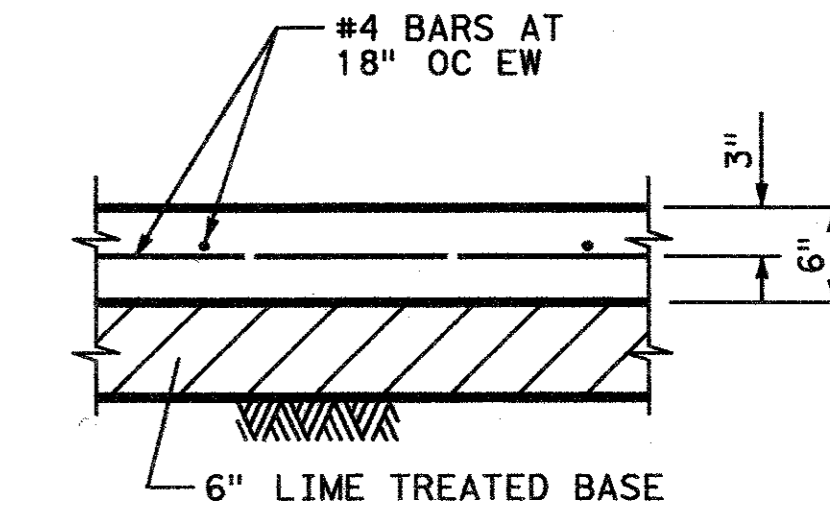
6" CURB
DETAIL
SCALE: N.T.S.



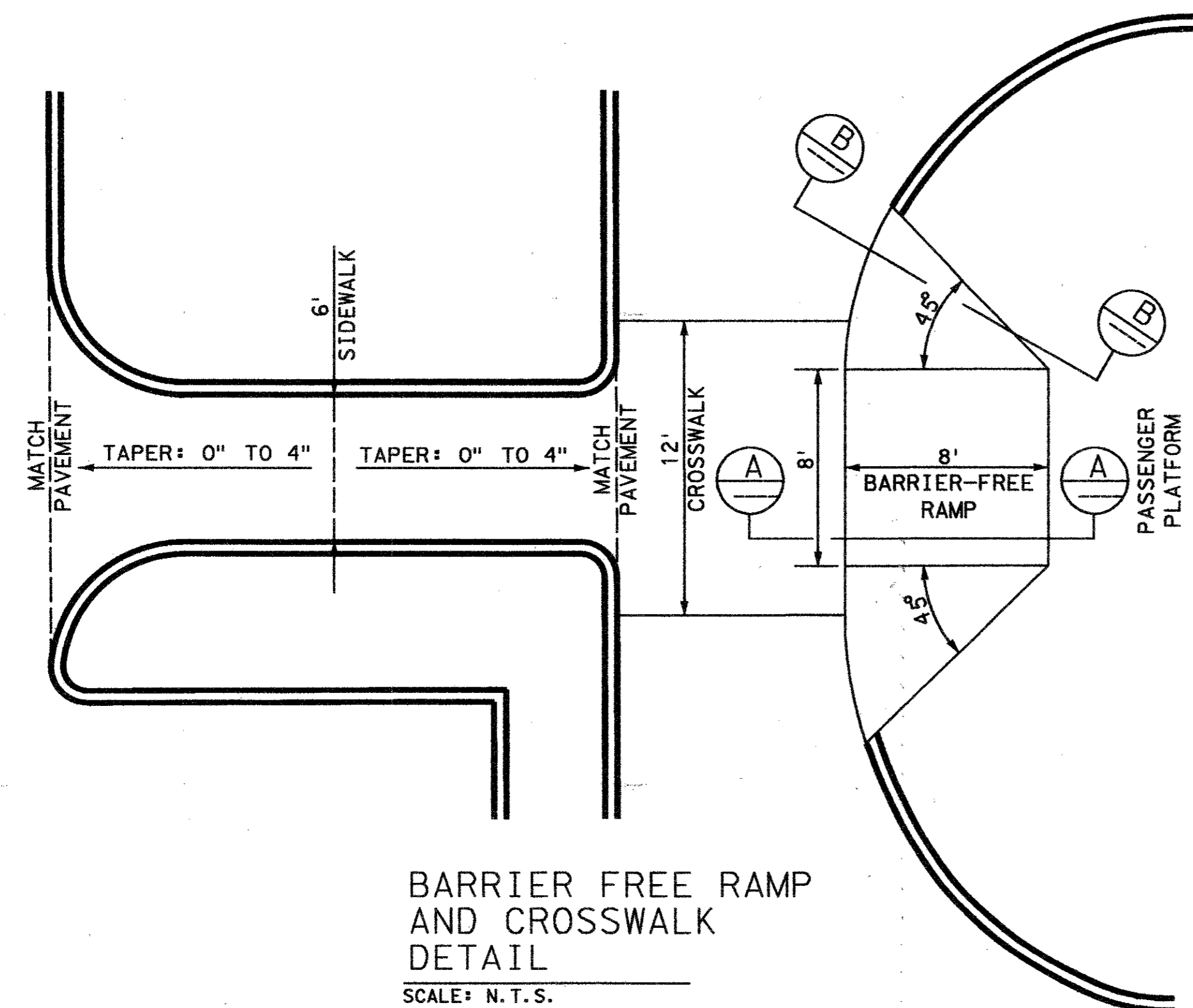
7-1/2" CURB
DETAIL
SCALE: N.T.S.



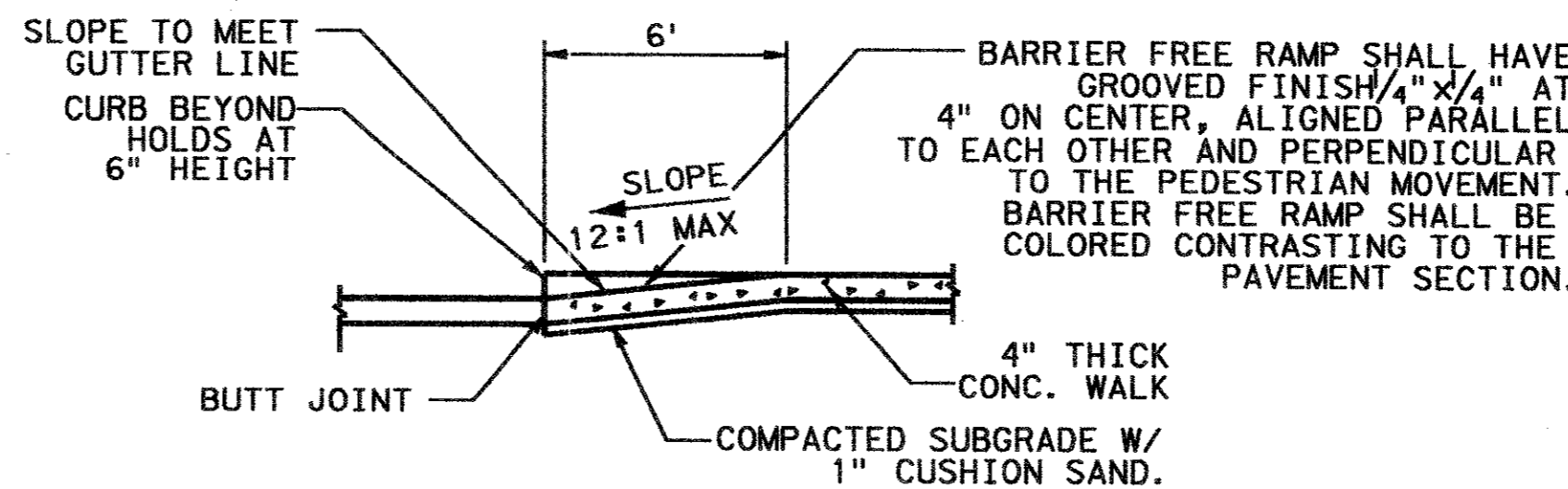
BUSWAY
PAVEMENT
DETAIL
SCALE: N.T.S.



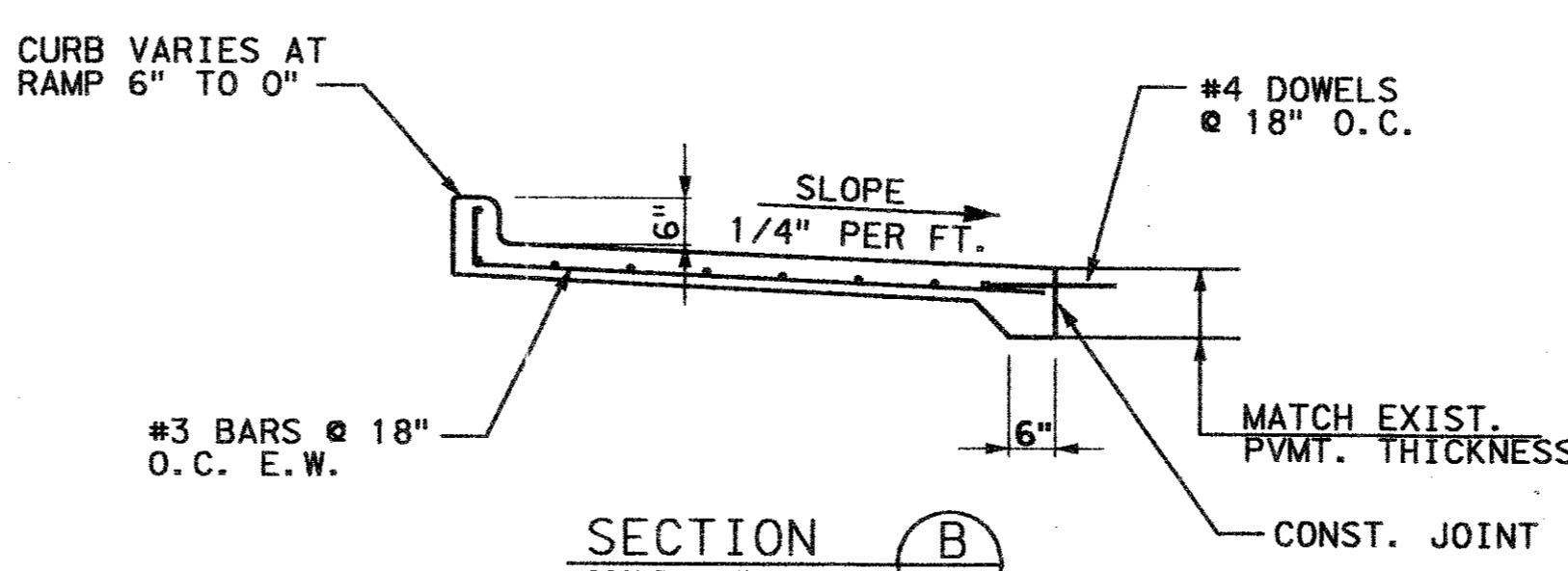
NON-BUSWAY
PAVEMENT
DETAIL
SCALE: N.T.S.



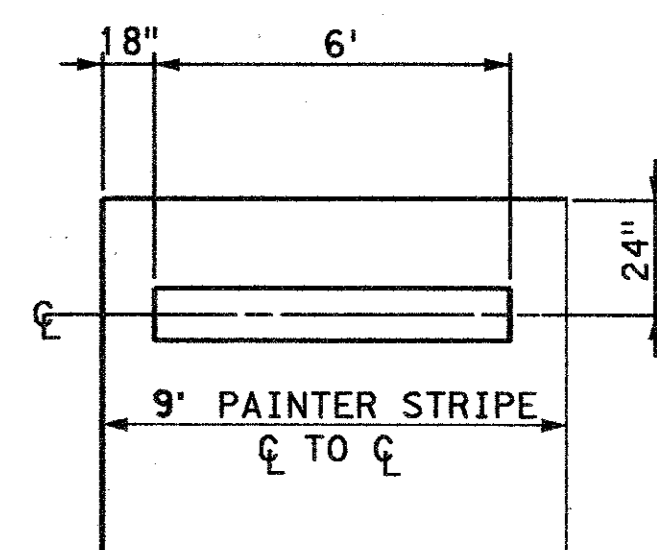
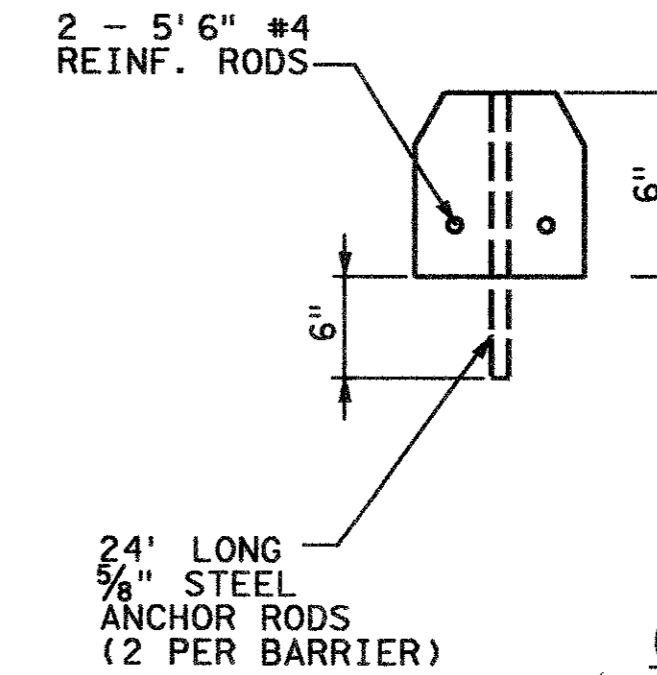
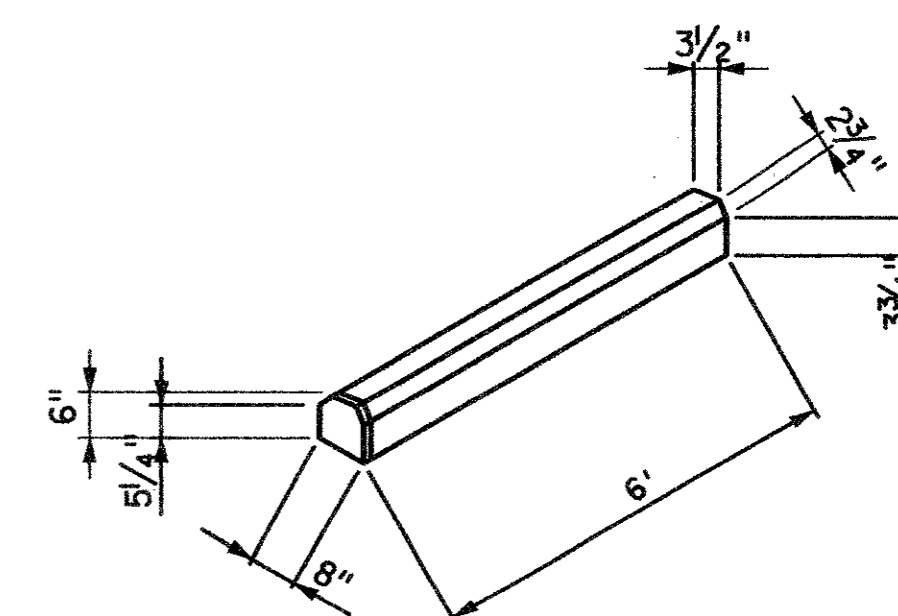
BARRIER FREE RAMP
AND CROSSWALK
DETAIL
SCALE: N.T.S.



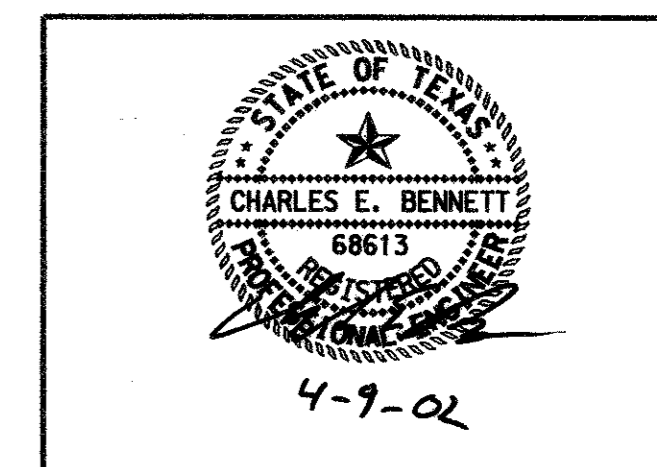
BARRIER FREE RAMP
SECTION A
SCALE: N.T.S.



BARRIER FREE RAMP
SECTION B
SCALE: N.T.S.



CONCRETE WHEEL STOP
SCALE: N.T.S.



CONTRACT SHEET NO. 8 OF 13

ADDISON
TRANSIT CENTER
PAVING + WALK DETAILS

CONTRACT C-96000124-28 DWG NO. REV 0

T: \TRANS\ARTHOV\T028-ADDI SON\MI CROSTATI ON\SHEETS\DETAILS.DGN 04/09/02

REV	DATE	DESCRIPTION	BY	ENG	CHK	APP	REV	DATE	DESCRIPTION	BY	ENG	CHK	APP

TURNER COLLIE & BRADEN INC.
LINDA TYCHER & ASSOCIATES
ARS ENGINEERS INC.



SCALE	NOT TO SCALE
DRAWN	J. RATCLIFF
DESIGNED	J. RATCLIFF
CHECKED	C. BENNETT
IN CHARGE	G. SHIPPY
DATE	APRIL 2002