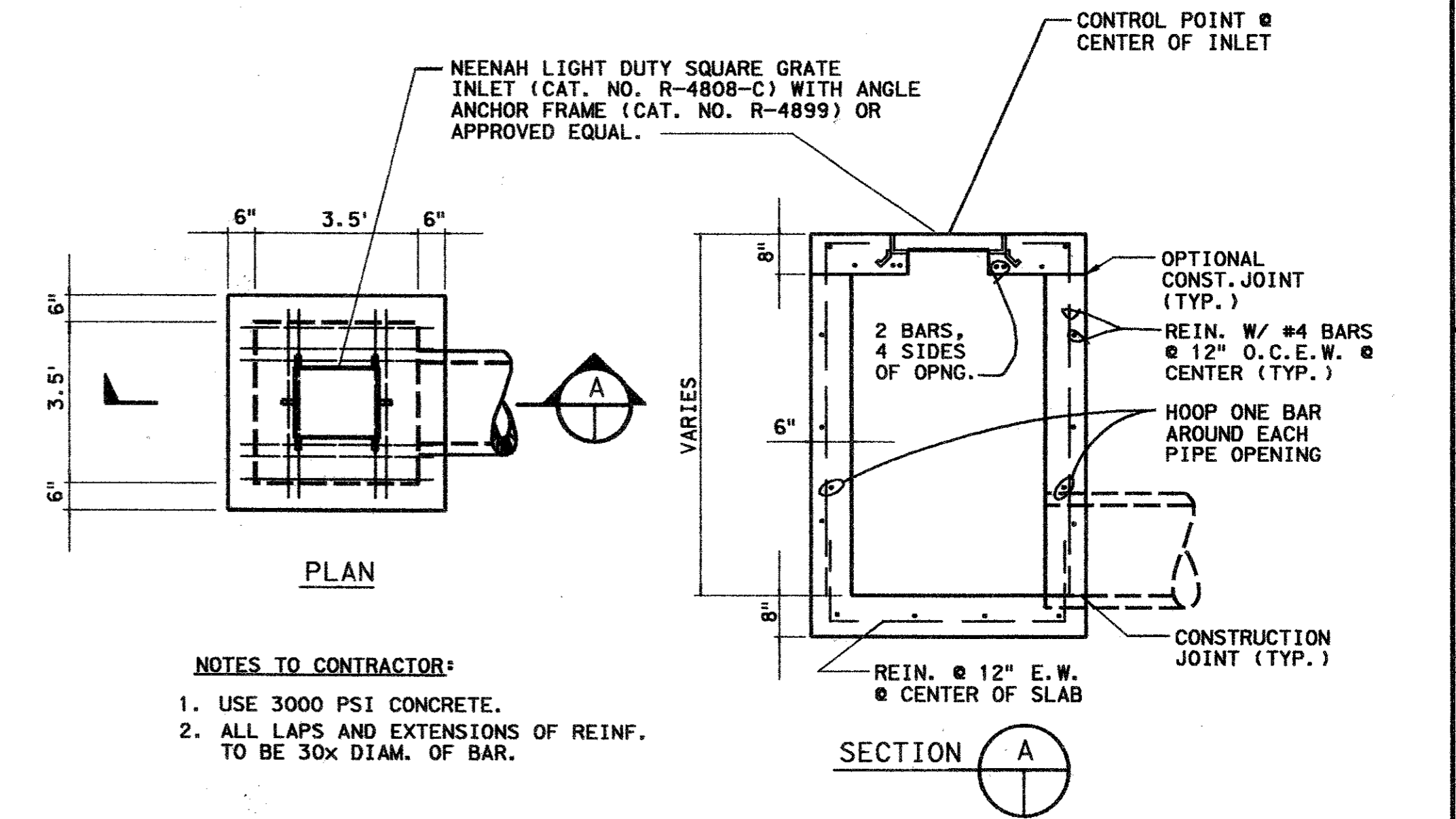
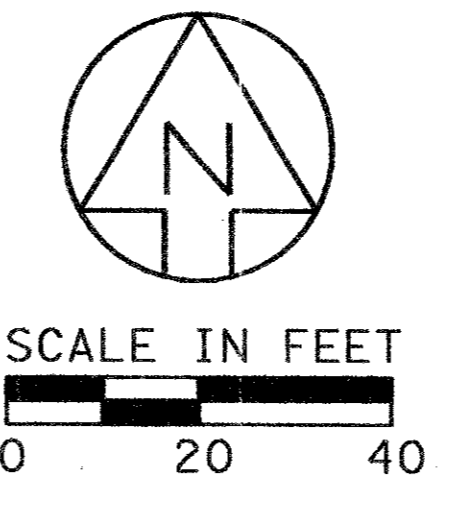
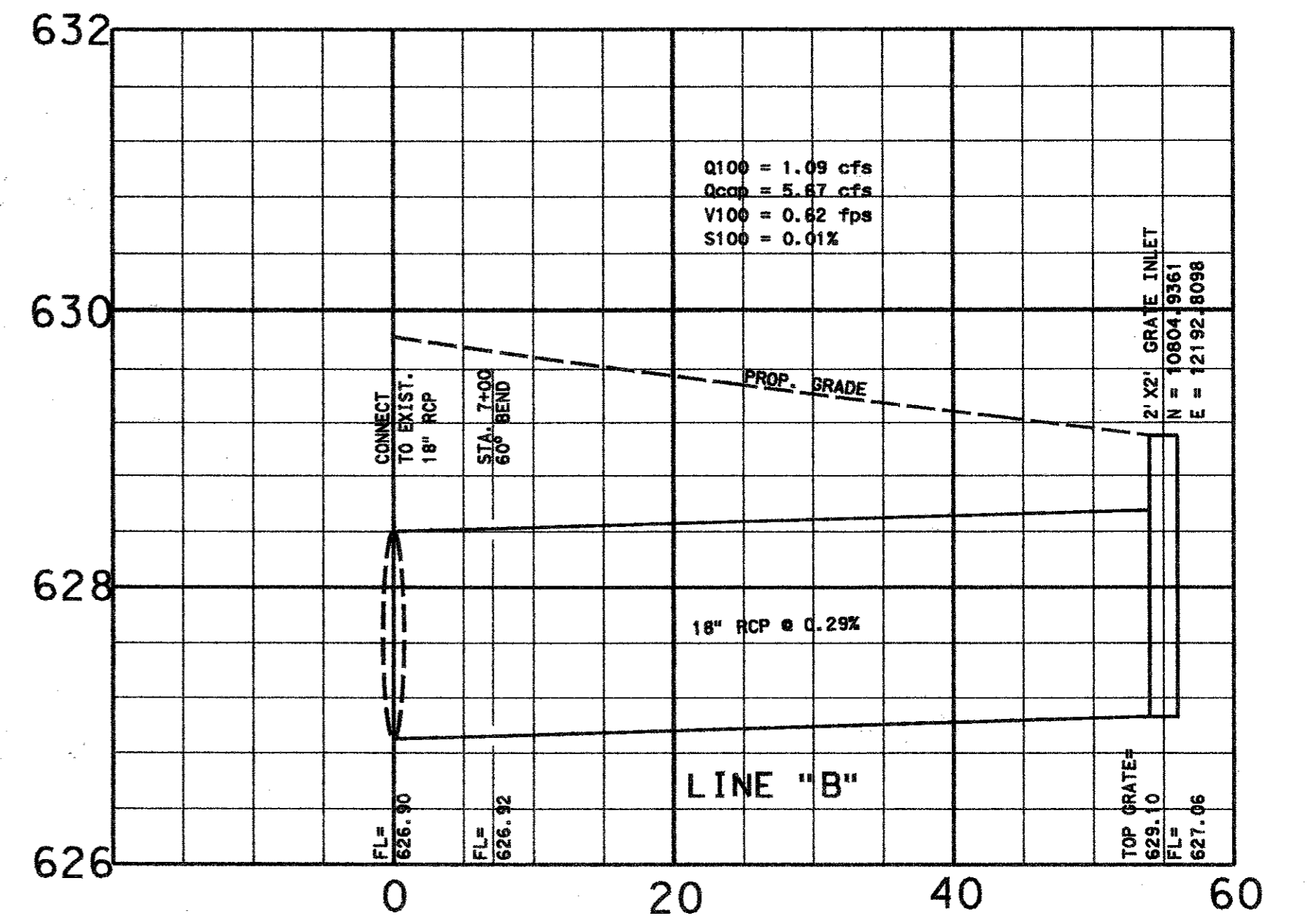
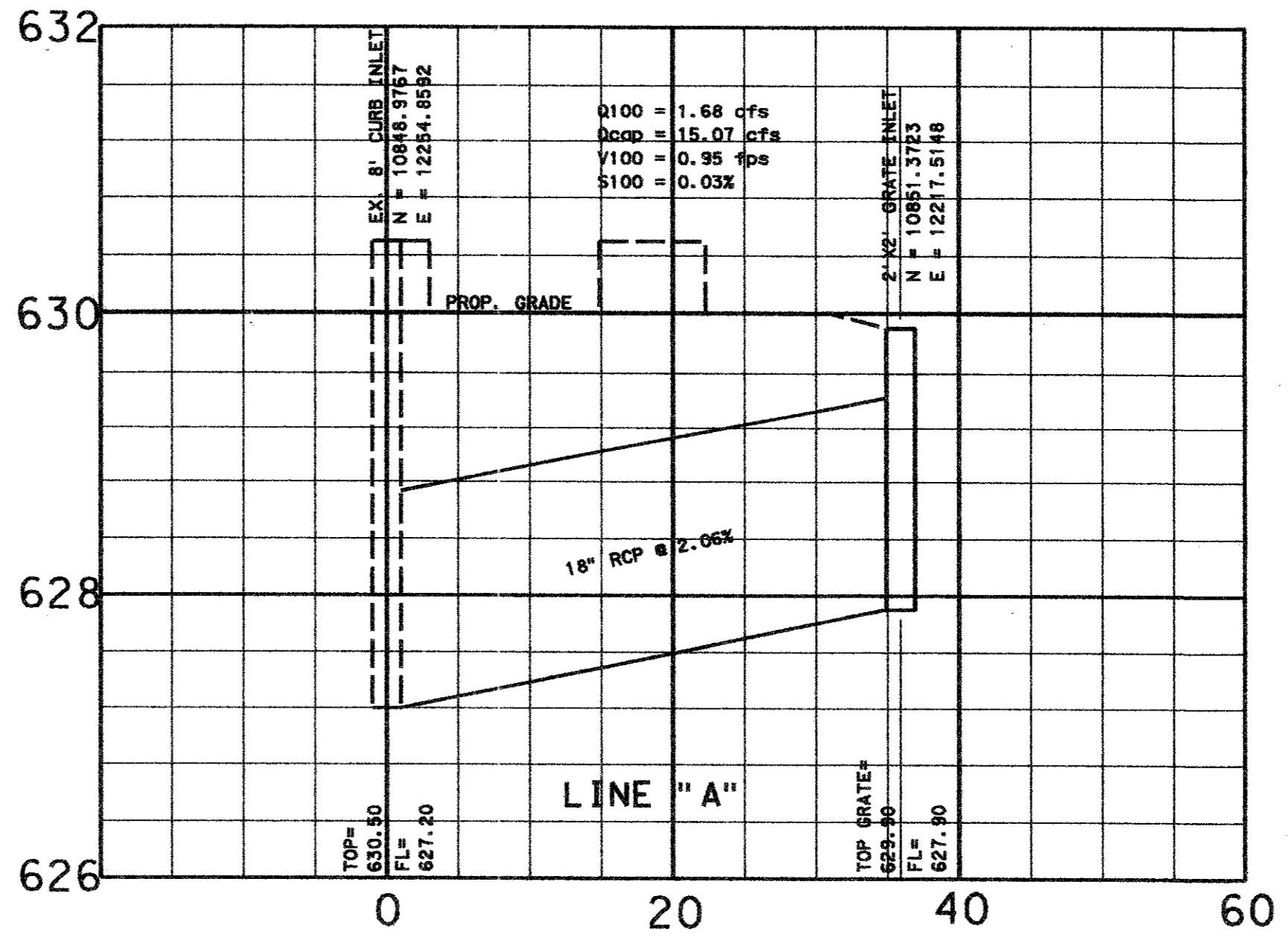
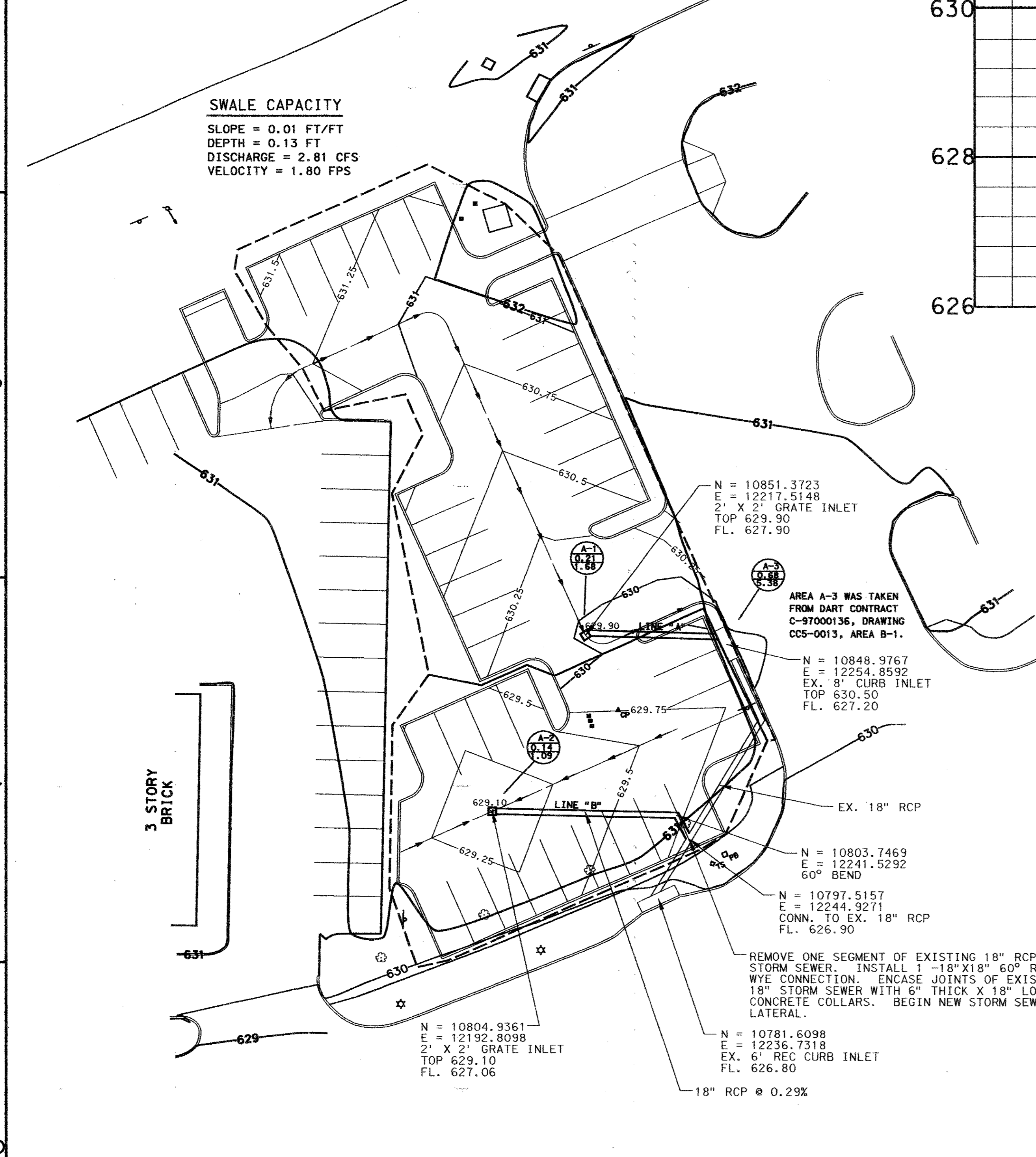


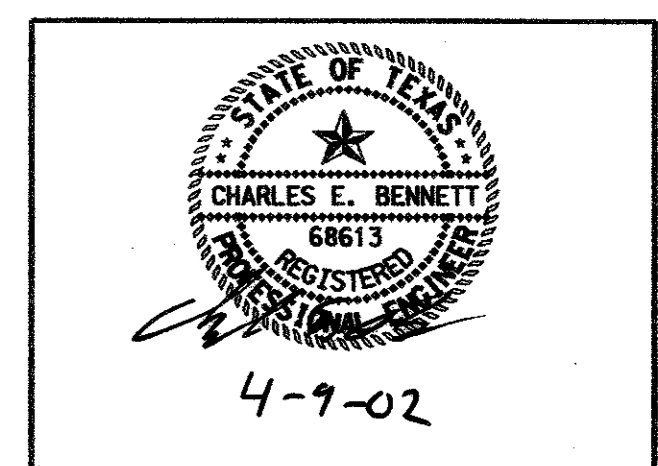
LEGEND

	DRAINAGE AREA DIVIDES
	DRAINAGE FLOW ARROWS
	DRAINAGE AREA NUMBER
	DRAINAGE AREA IN ACRES
$Q_{100}=CIA$	100 YEAR STORM RUNOFF IN c.f.s.
WHERE C=0.90	
$T_{100}=8.74 (T/C=10 \text{ MIN.})$	

SWALE CAPACITY
 SLOPE = 0.01 FT/FT
 DEPTH = 0.13 FT
 DISCHARGE = 2.81 CFS
 VELOCITY = 1.80 FPS



- NOTES TO CONTRACTOR:**
- USE 3000 PSI CONCRETE.
 - ALL LAPS AND EXTENSIONS OF REINF. TO BE 30x DIAM. OF BAR.



CONTRACT SHEET NO. 5 OF 13

REV	DATE	DESCRIPTION	BY	ENG	CHK	APP	REV	DATE	DESCRIPTION	BY	ENG	CHK	APP

TURNER COLLIE & BRADEN INC.
 LINDA TYCHER & ASSOCIATES
 ARS ENGINEERS INC.

DART PROJECT

SCALE 1"=20'

DRAWN J. RATCLIFF
 DESIGNED J. RATCLIFF
 CHECKED C. BENNETT
 IN CHARGE G. SHIPPY
 DATE APRIL 2002

ADDISON TRANSIT CENTER DRAINAGE + GRADING PLAN

CONTRACT C-96000124-28	DWG NO.	REV 0
------------------------	---------	-------