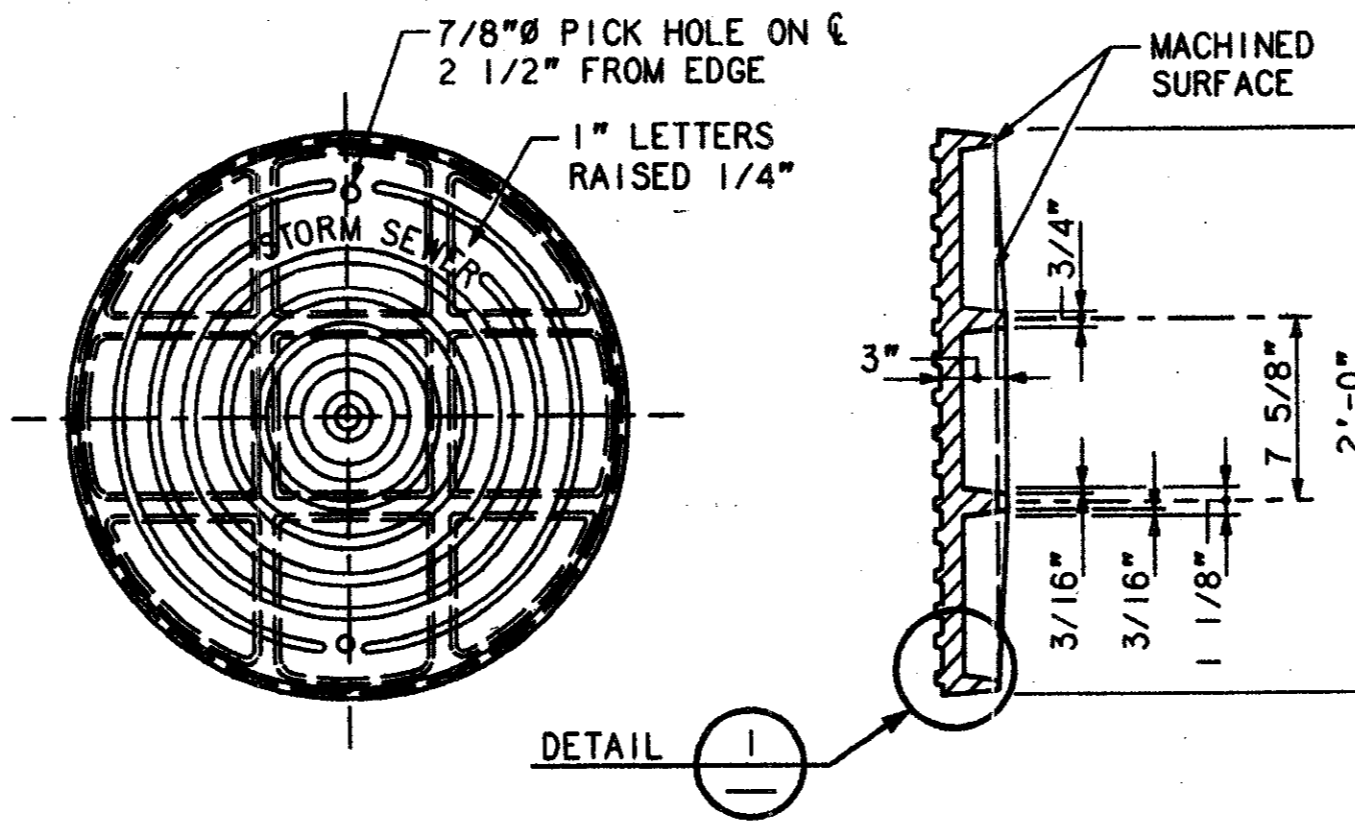
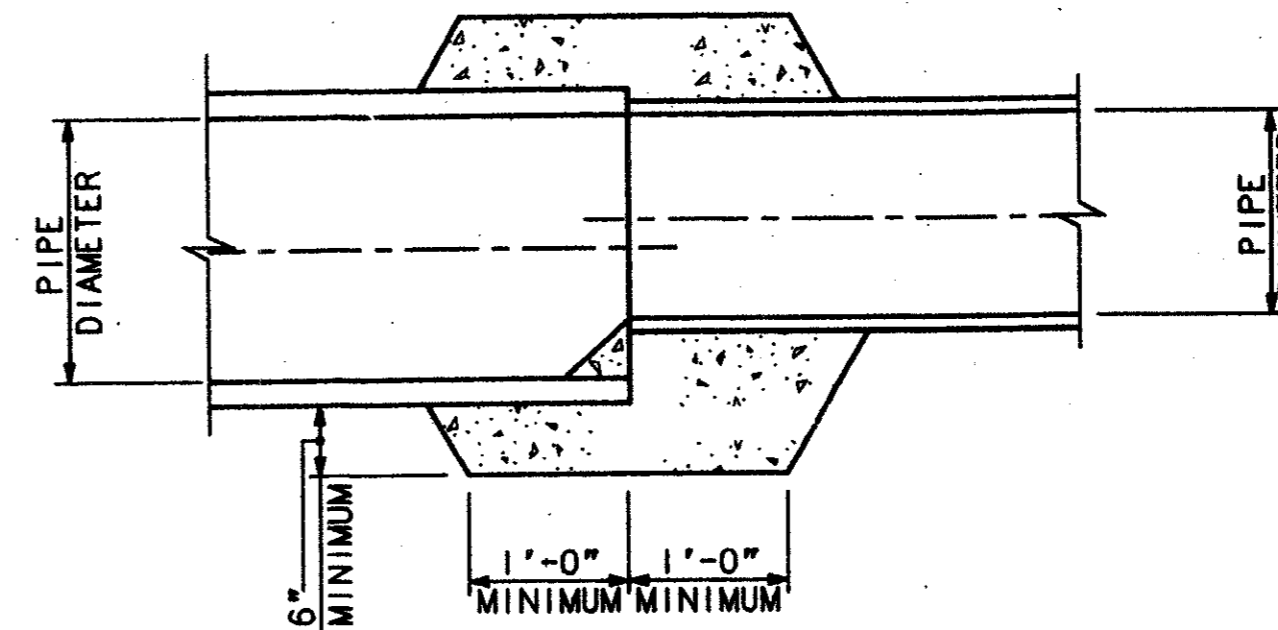


HALF PLAN AND SECTION OF FRAME



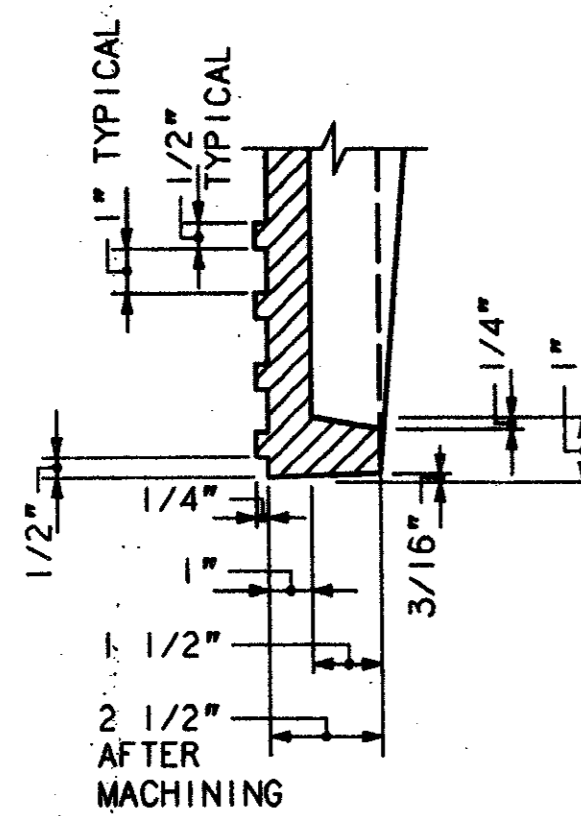
COVER COVER SECTION



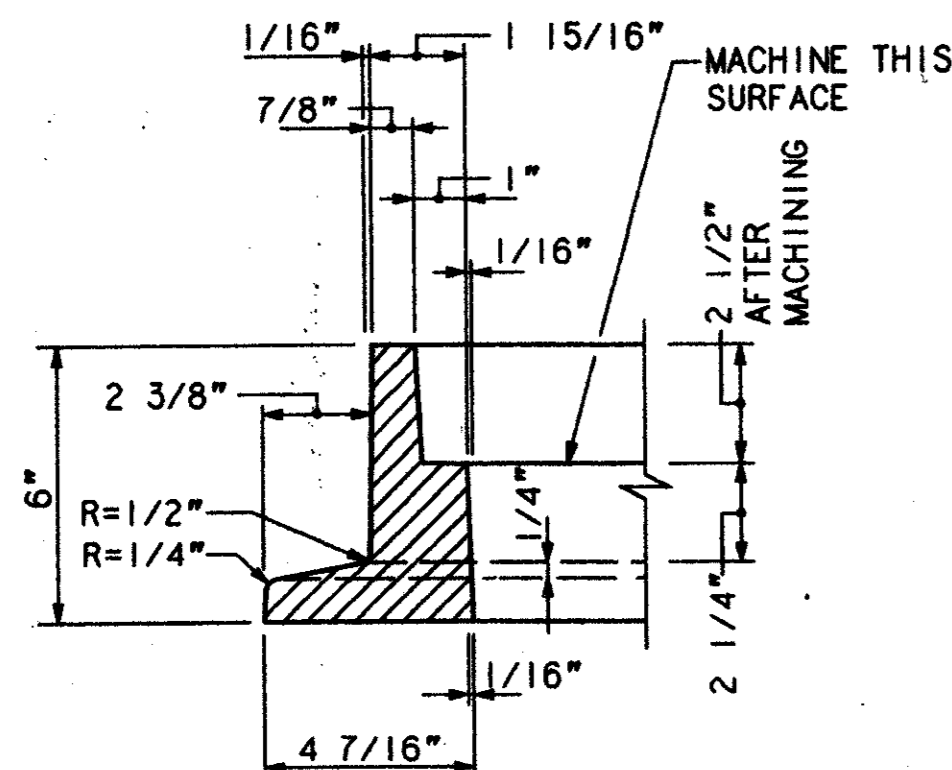
CONCRETE COLLAR FOR PIPE CONNECTION

NOTES:

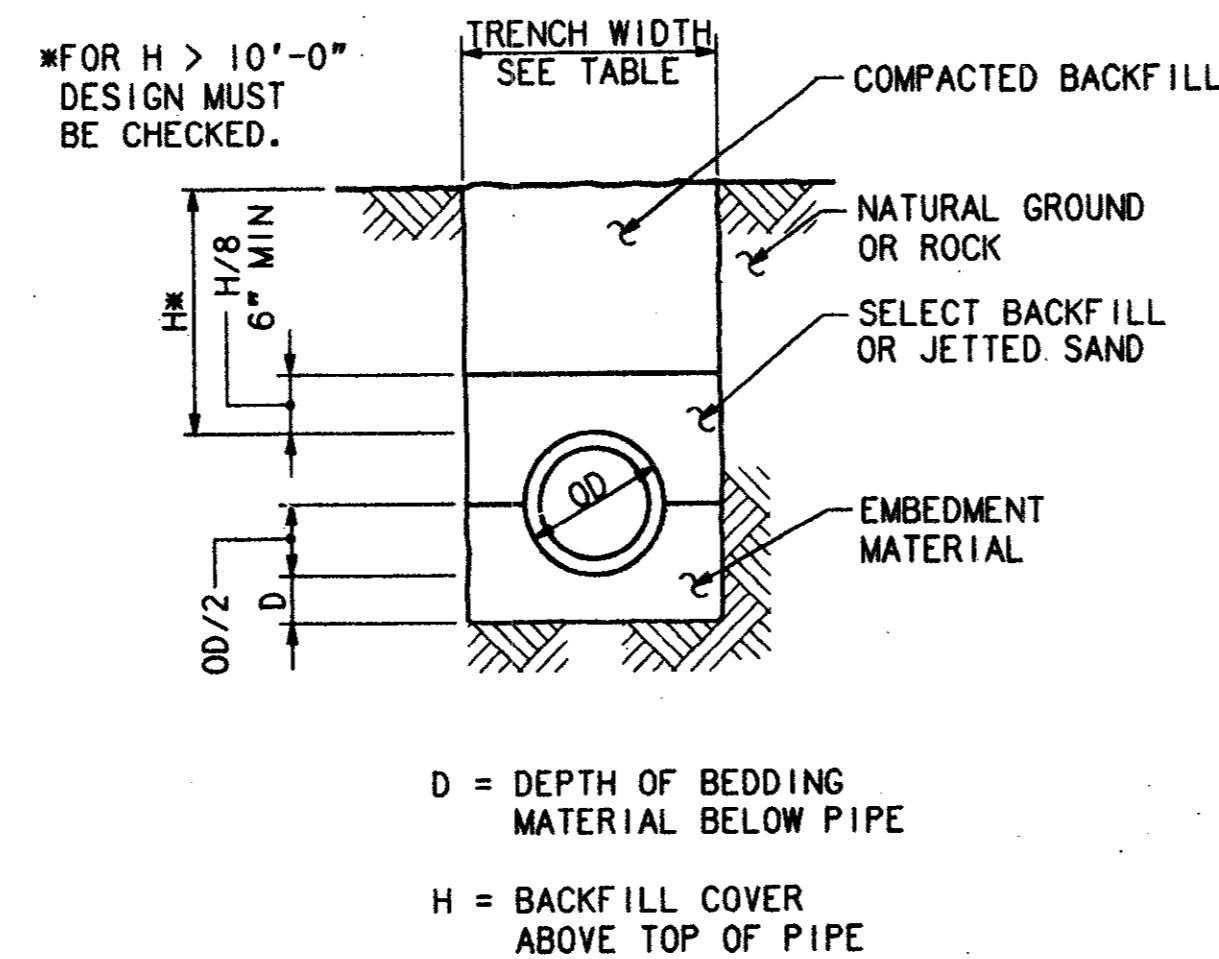
1. STORM SEWER PIPE SHALL BE CLASS III UNLESS OTHERWISE NOTED ON PLANS.
2. UNLIMITED TRENCH WIDTH NOT PERMITTED FOR CLASS III PIPE; A HIGHER TYPE EMBEDMENT MAY BE REQUIRED.



DETAIL 1



DETAIL 2



REINFORCED CONCRETE PIPE INSTALLATION

CLASS III PIPE	
PIPE DIAMETER (INCHES)	TRENCH WIDTH (FEET)
15	3.0
18	3.4
21	3.8
24	4.1
27	4.5
30	4.9
33	5.2
36	5.6
42	6.3
48	7.0
54	7.8
60	8.5
66	9.2
72	10.0
78	10.7
84	11.4
90	12.1
96	12.9

TRENCH WIDTHS BASED ON 1.25(OD) + 1'-0".

TRENCH WIDTHS SHOWN ARE MINIMUM FOR PROPER PLACEMENT AND COMPACTION OF EMBEDMENT AND BACKFILL.

TRENCH WIDTHS SHOWN WILL BE USED FOR CALCULATION OF ROCK EXCAVATION WHEN DESIGNATED AS A PAY ITEM.

DEPTH OF BEDDING CLASS III PIPE	
DIA (INSIDE DIAMETER)	D (MIN)
27" OR SMALLER	3"
30" TO 60"	4"
66" AND LARGER	6"

Handwritten notes and signatures:
 JOHN KADAR, President
 JOHN KADAR, President
 JOHN KADAR, President



CONFORMED

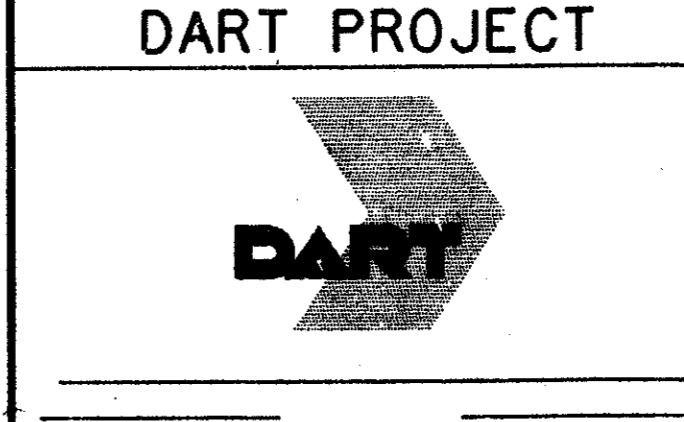
CONTRACT SHEET No. 20 of 95

REV	DATE	DESCRIPTION	BY	DES	CHK	APP	REV	DATE	DESCRIPTION	BY	DES	CHK	APP



Handwritten signature: John Anthony Bobbie, 04 Dec 1991

HUITT-ZOLLARS
 3131 MCKINNEY AVENUE/SUITE 600
 DALLAS, TEXAS 75244-8711
 Sverdrup Corporation
 Barton-Aschman Associates, Inc.
 Arredondo, Brunz & Associates, Inc.
 LS Transit Systems
 Hellmuth Obata & Kassabaum, Inc.



SCALE	NO SCALE
DRW	W.C. HALL
DESIGNED	E.A. RAINOSEK
CHECKED	R. GRICE
IN CHARGE	D. KELLY
DATE	06 DEC 91

CIVIL STANDARD
MANHOLE COVER DETAILS, STORM SEWER PIPE EMBEDMENT AND CONNECTION DETAILS

CONTRACT C-97000136 DWG No. CS6-0054 REV 0

