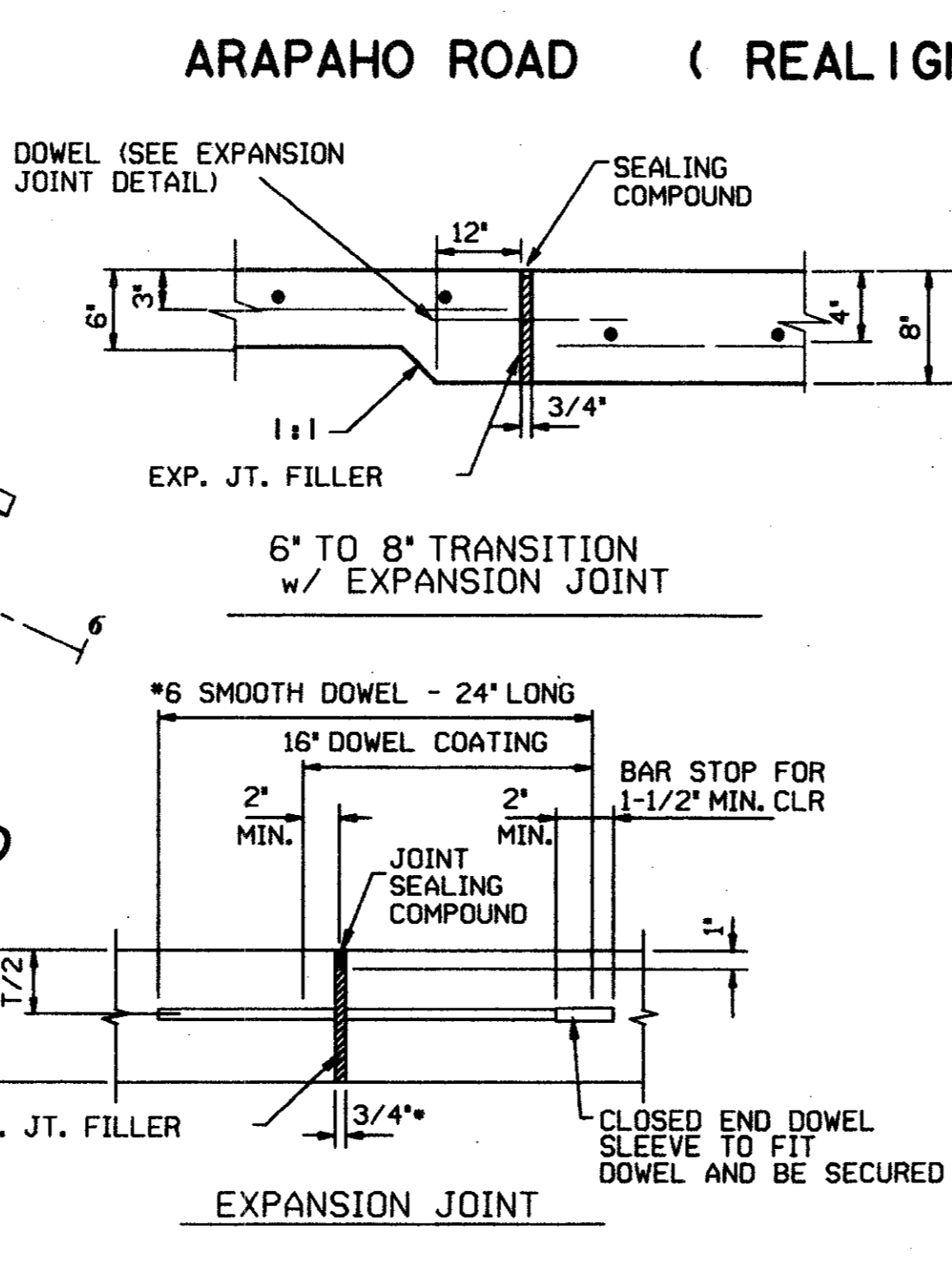
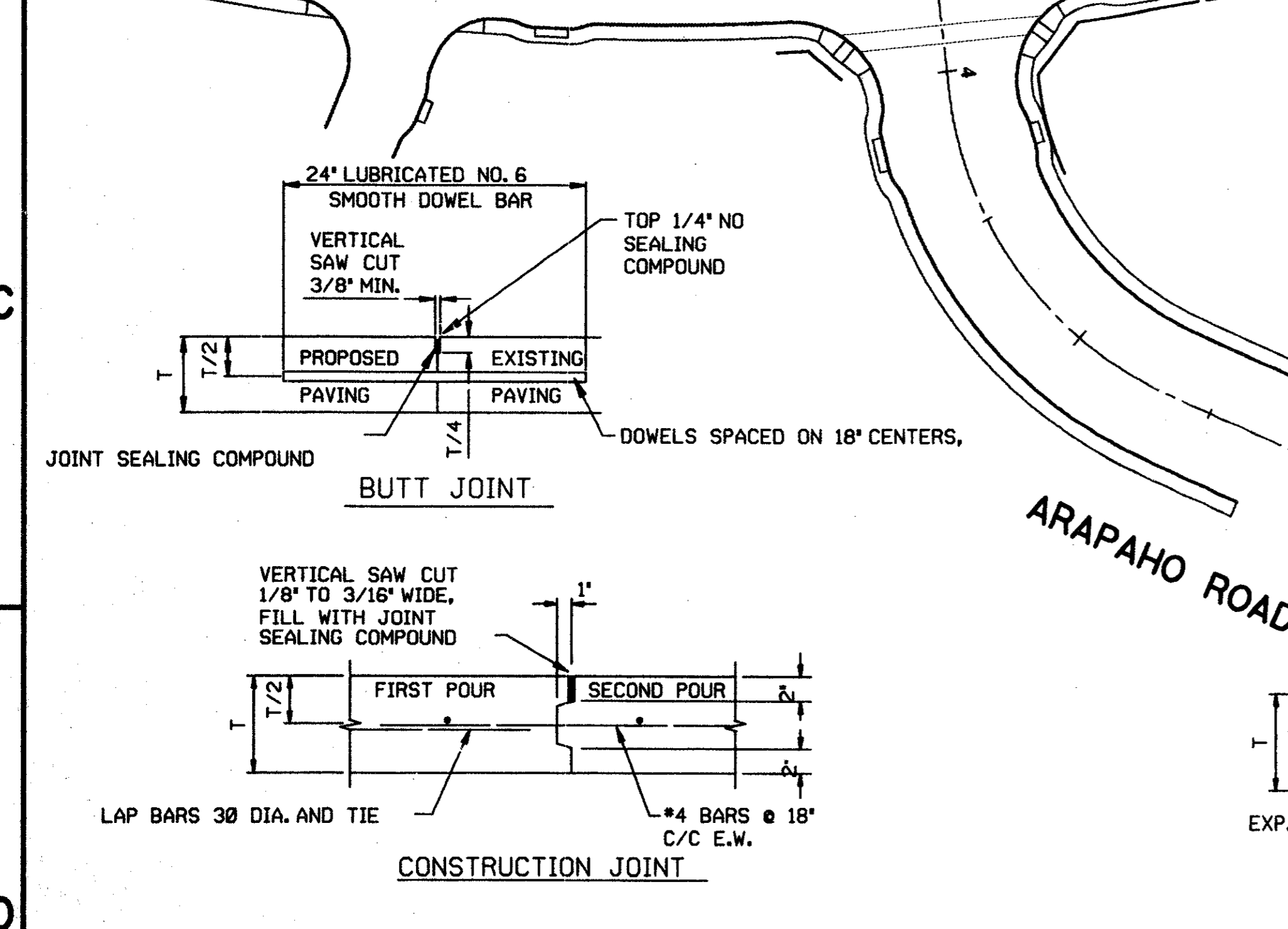
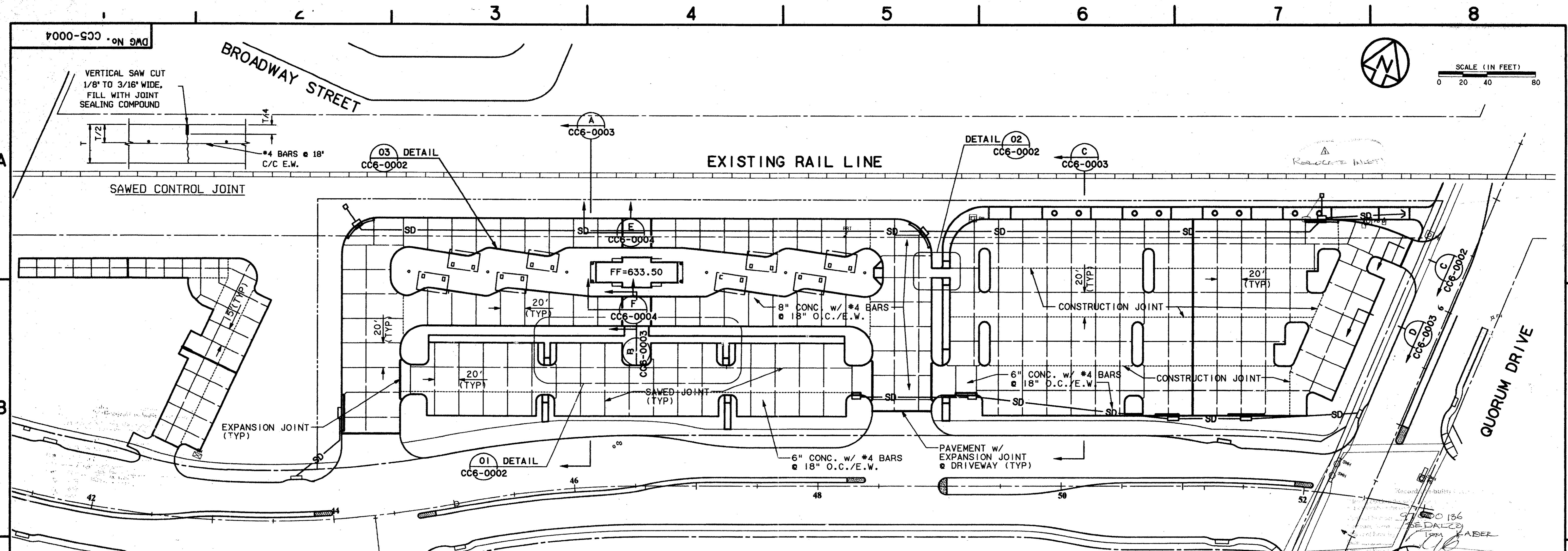


c:\cadd\94010-212\shf\abtc001
 02 MAR 98
 DART.TBL
 \$(USER)



- NOTES:**
- BUSWAY AREA AND RELATED DRIVEWAY SHALL BE PAVED WITH 8" 4000 PSI CONCRETE REINFORCED WITH #4 BARS AT 18" O.C.E.W. SEE DWG. CC6-0004 FOR LIMITS OF 12" THICKENED PAVEMENT AREA.
 - PARK AND RIDE, KISS AND RIDE, HANDICAP, AND RELATED DRIVES ARE TO BE PAVED WITH 6" 4000 PSI CONCRETE REINFORCED WITH #4 BARS AT 18" O.C.E.W.
 - ALL CONCRETE PAVING SHALL HAVE CURBS INTEGRAL WITH PAVEMENT. BUSWAY PEDESTRIAN PLATFORM CURBS SHALL BE 7-1/2" AND ALL OTHER CURBS SHALL BE 6".
 - BUSWAY, KISS AND RIDE, AND PARKING AREA PAVEMENT SURFACES SHALL RECEIVE A NON-SKID LIGHT BROOM FINISH PERPENDICULAR TO THE FLOW OF TRAFFIC.
 - ALL JOINTS SHALL BE CONSTRUCTED IN ACCORDANCE WITH THE DETAILS SHOWN ON THIS SHEET.
 - CONTRACTOR MAY SUBMIT ALTERNATE JOINT PLANS FOR ENGINEERS APPROVAL.
 - SEE IRRIGATION PLAN (DWG CC5-0012 & CC5-0014) FOR LOCATION OF 4" SLEEVES FOR IRRIGATION LINES.
 - SEE SITE ELECTRICAL PLAN (DWG EC2-0001) FOR ELECTRICAL CONDUIT LOCATIONS.
 - ALL JOINTS INTERSECTING RADIUS CURB SHALL INTERSECT RADIAL TO CURB WITH A JOINT LENGTH OF 2' MIN.

LEGEND

- EXPANSION JOINT
- CONSTRUCTION JOINT
- SAWED JOINT

CONFORMED

CONTRACT SHEET No. 22 OF 95

ADDISON TRANSIT CENTER PAVEMENT JOINT LAYOUT

SCALE 1"=40'

DRAWN D. KRUCIAK
 DESIGNED P. ZHAO
 CHECKED V. STEVENS
 IN CHARGE V. STEVENS
 DATE AUG. 14, 1997

CONTRACT C-97000136 DWG No. CC5-0004 REV 0

| REV | DATE | DESCRIPTION | BY | ENG | CHK | APP | REV | DATE | DESCRIPTION | BY | ENG | CHK | APP |
|-----|------|-------------|----|-----|-----|-----|-----|------|-------------|----|-----|-----|-----|
| | | | | | | | | | | | | | |

WENDY LOPEZ & ASSOC.
 LOCKWOOD, ANDREWS & NEWMAN
 THE SWA GROUP
 GERARD & ASSOCIATES
 ZAXON

WLA

WENDY LOPEZ & ASSOCIATES, INC.
 ENGINEERING • SURVEYING • CONSTRUCTION SERVICES
 205 MARKET CENTER BLVD - SUITE 20
 DALLAS, TEXAS 75207
 (214) 746-7777

DART PROJECT

SCALE 1"=40'

DRAWN D. KRUCIAK
 DESIGNED P. ZHAO
 CHECKED V. STEVENS
 IN CHARGE V. STEVENS
 DATE AUG. 14, 1997

CONFORMED

CONTRACT SHEET No. 22 OF 95

ADDISON TRANSIT CENTER PAVEMENT JOINT LAYOUT

SCALE 1"=40'

DRAWN D. KRUCIAK
 DESIGNED P. ZHAO
 CHECKED V. STEVENS
 IN CHARGE V. STEVENS
 DATE AUG. 14, 1997

CONTRACT C-97000136 DWG No. CC5-0004 REV 0