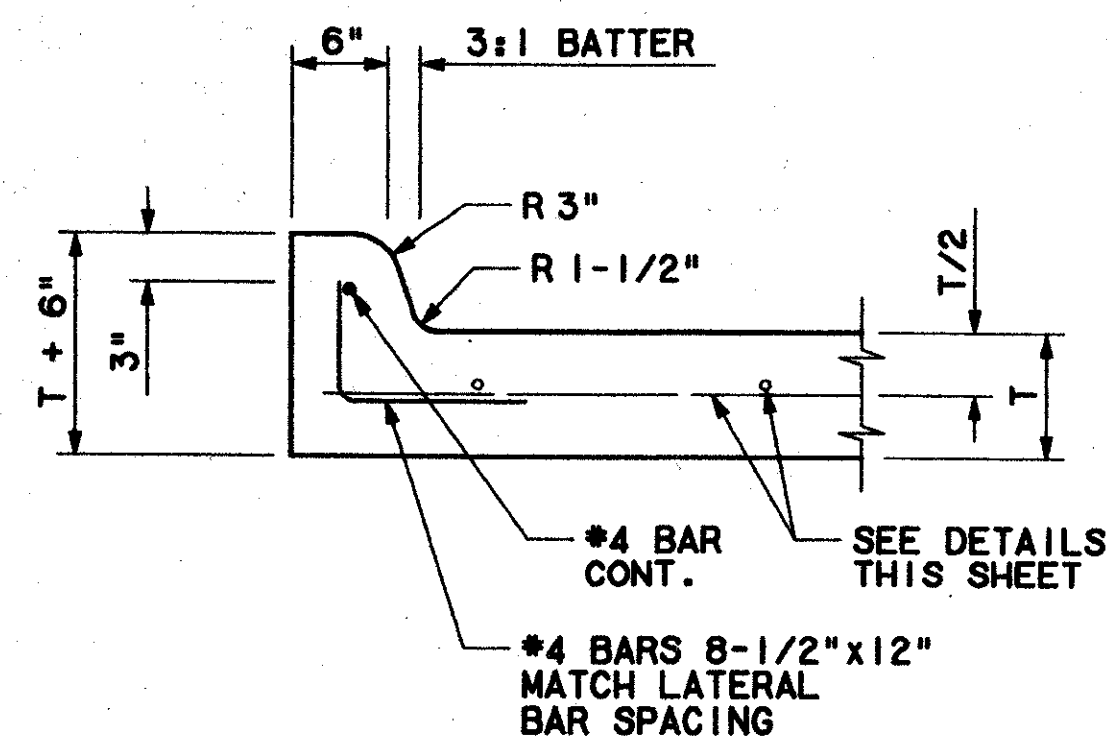
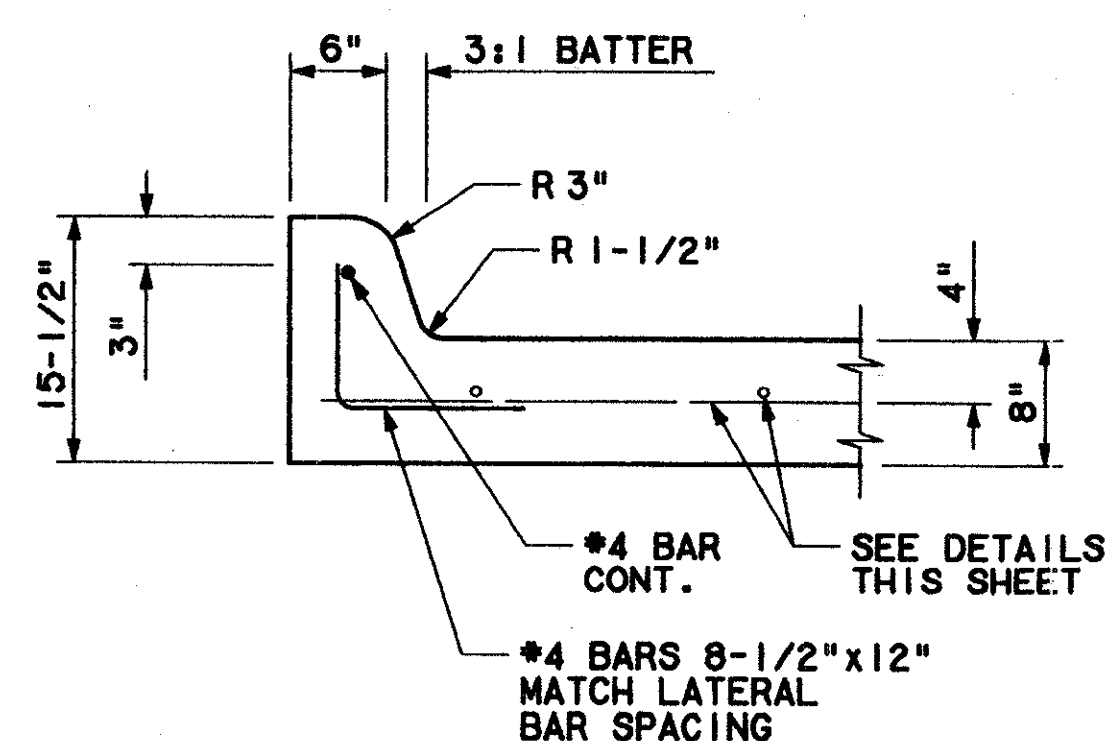


C:\cadd\94010.2\12\sh1\vb1\cc203.00
 02-MAR-99
 DART.TBL
 \$(USER)

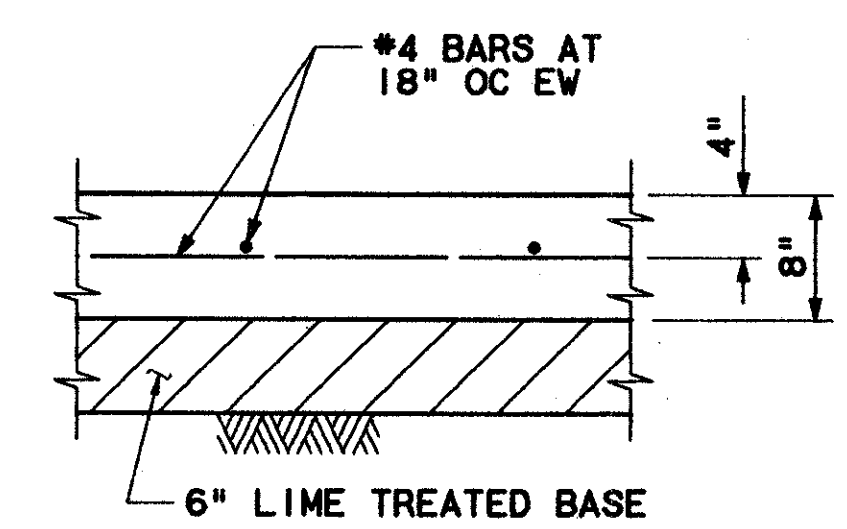
1000-900 ON 9AD



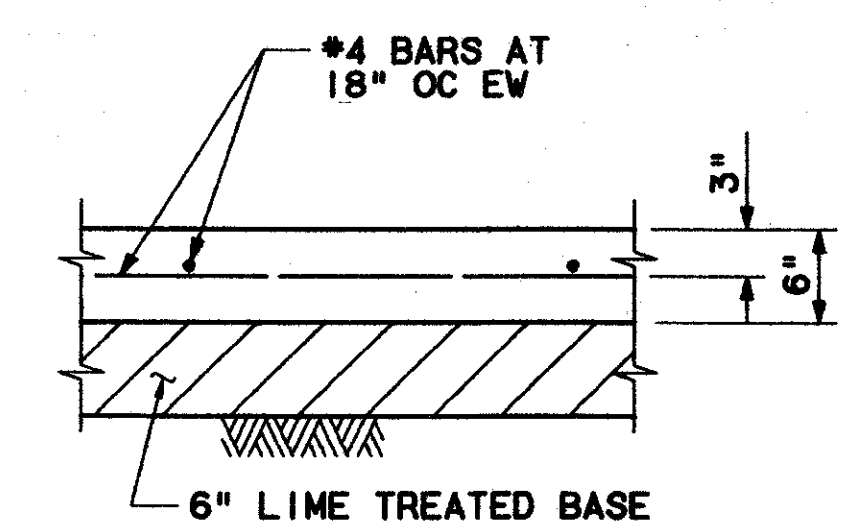
**6" CURB
 DETAIL**
 SCALE: 1"=1'-0"
 CC6-0003



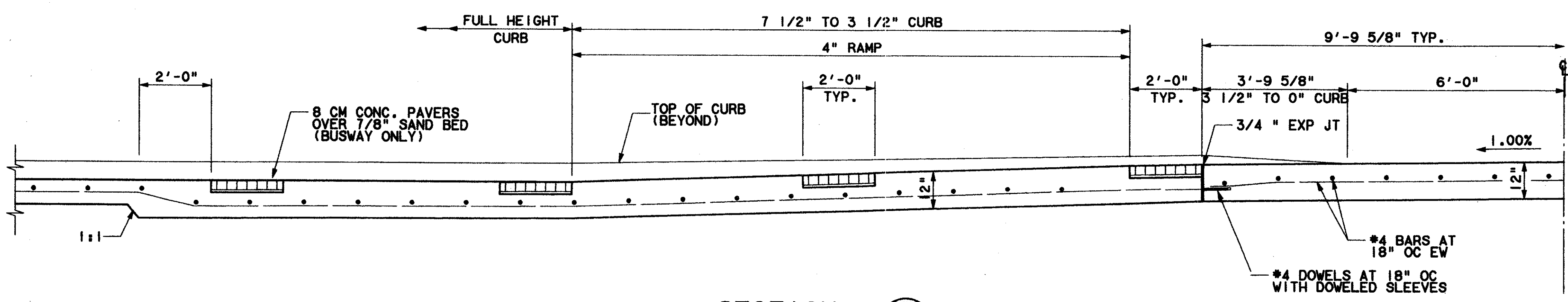
**7-1/2" CURB
 DETAIL**
 SCALE: 1"=1'-0"
 CC6-0003



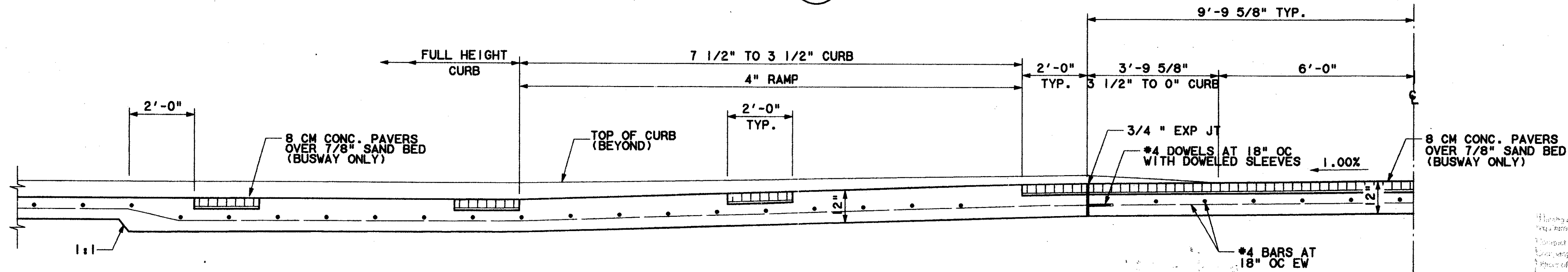
**BUSWAY
 PAVEMENT
 DETAIL**
 SCALE: 1"=1'-0"
 CC6-0003



**NON-BUSWAY
 PAVEMENT
 DETAIL**
 SCALE: 1"=1'-0"
 CC6-0003



SECTION E
 SCALE: 1/2"=1'-0"
 CC5-0004



SECTION F
 SCALE: 1/2"=1'-0"
 CC5-0004

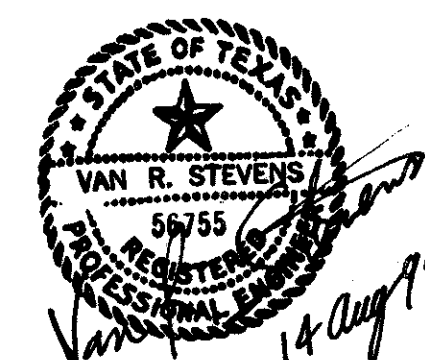
Receipt (As-built) Certification
 I have checked this submission, see cert, that it conforms to the requirements of this contract in all respects, except as otherwise noted.
 Project Number: 7-7-99
 Drawing Number: CC6-0003
 Name of Engineer: JIM KADIE
 Title of Engineer: PRESIDENT
 I hereby certify that the work shown on this drawing conforms to the requirements of the contract and the specifications for the work shown on this drawing.
 Date: 7-7-99

7-7-99

CONFORMED

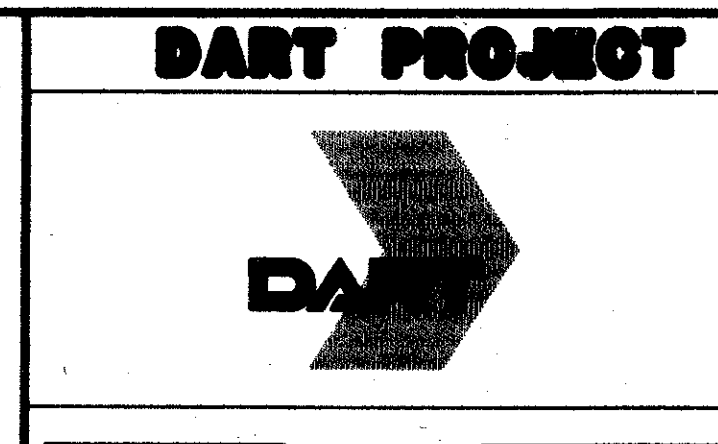
CONTRACT SHEET No. 25 OF 95

REV	DATE	DESCRIPTION	BY	ENG	CHK	APP	REV	DATE	DESCRIPTION	BY	ENG	CHK	APP



WENDY LOPEZ & ASSOC.
 LOCKWOOD, ANDREWS & NEWNAM
 THE SWA GROUP
 GERARD & ASSOCIATES
 ZAXON

WLA
 WENDY LOPEZ & ASSOCIATES, INC.
 ENGINEERING • SURVEYING • CONSTRUCTION SERVICES
 102 MARKET CENTER BLVD - SUITE 200
 DALLAS, TEXAS 75201
 (214) 76-7777



SCALE: AS NOTED
 DRAWN: N. DEREMER
 DESIGNED: D. KRUCIAK
 CHECKED: V. STEVENS
 IN CHARGE: V. STEVENS
 DATE: 14 AUG. 1997

**ADDISON
 TRANSIT CENTER
 PAVEMENT SECTIONS**

CONTRACT C-97000136 DWG No. CC6-0004 REV 0