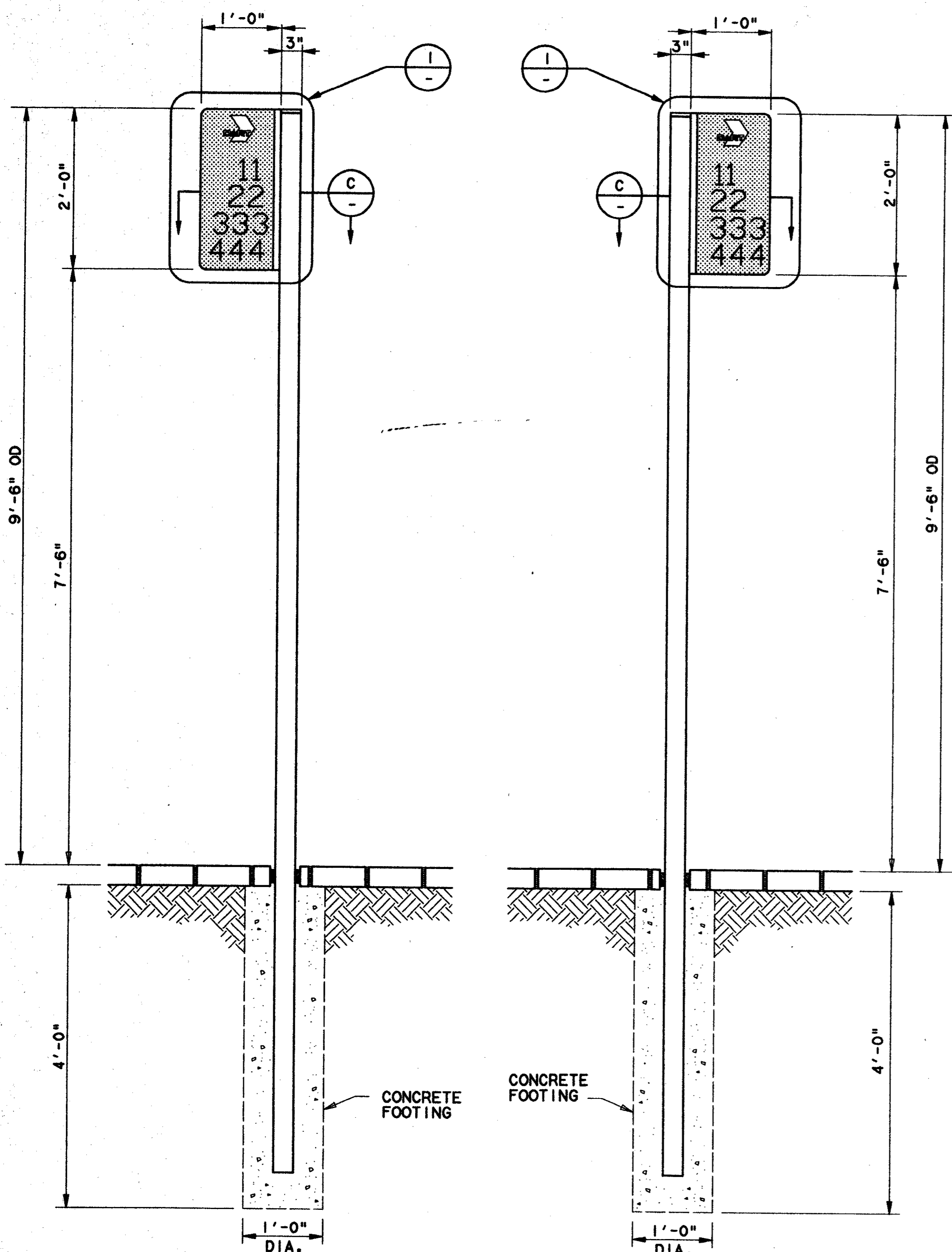


e:\94010.212\shht\abtrcs02.008
13 AUG 97
DART-TBI
JAMES LANDRY

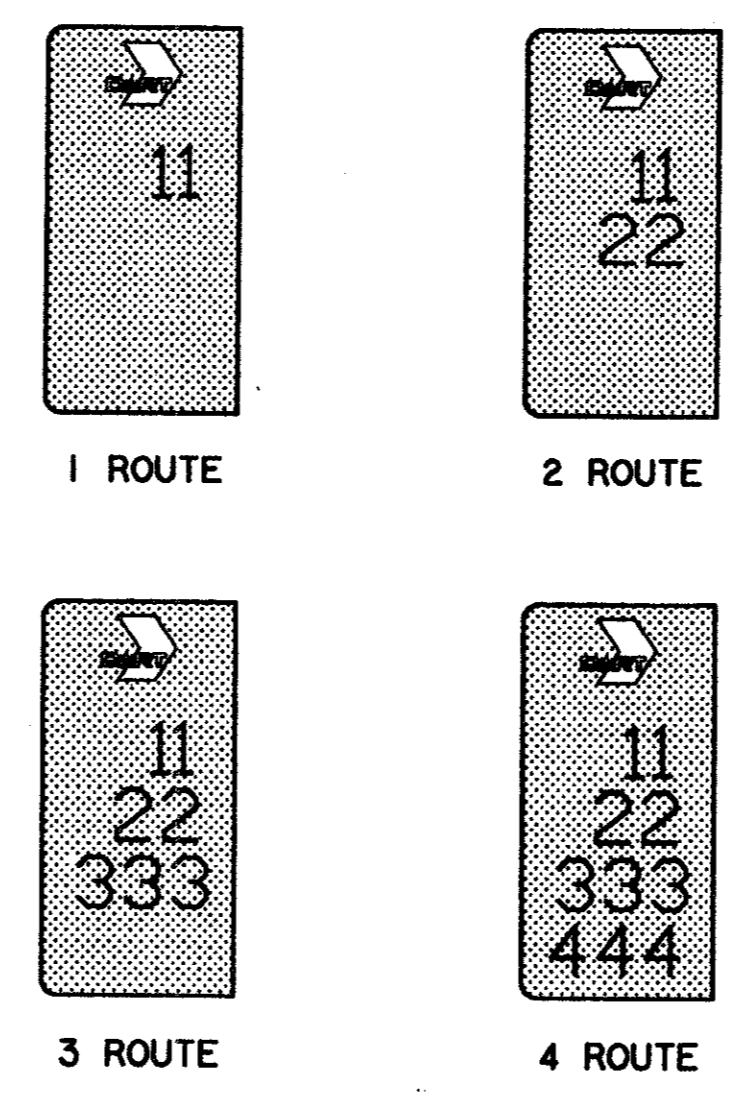
0000-6SV
ON GAD

- GENERAL NOTES
1. REFER TO DART SIGN STANDARDS MANUAL FOR CORRECT FONTS, SPACING, SYMBOLS AND REPRODUCTION ART.
 2. ALL S7.1 SIGNS ARE DOUBLE FACE CONFIGURATION.
 3. ROUTE NUMBERS VARY.
 4. FOR LOCATION, REFER DETAIL 3/CC6-0002

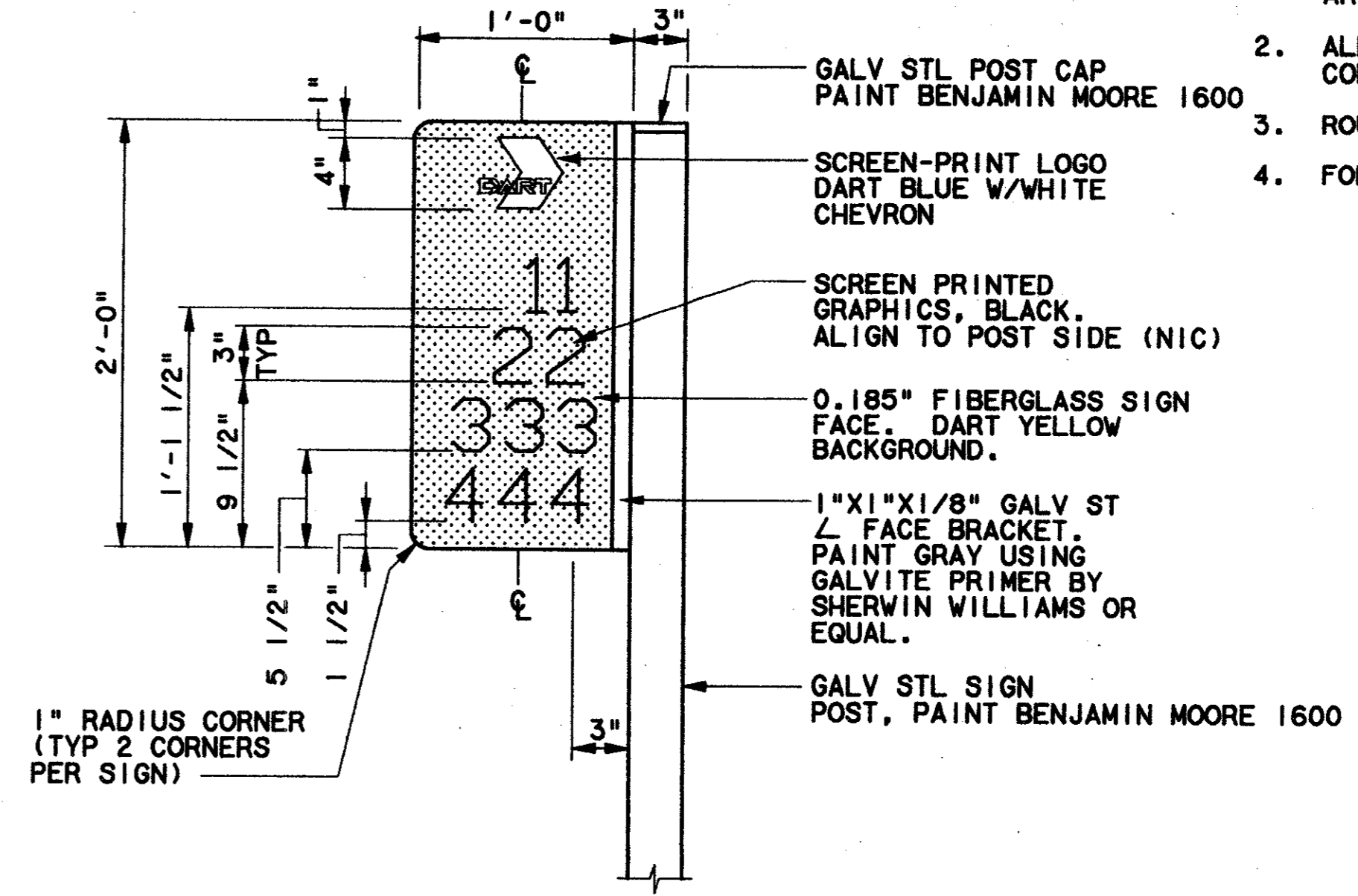


ELEVATION A
SCALE: 1"=1'-0"

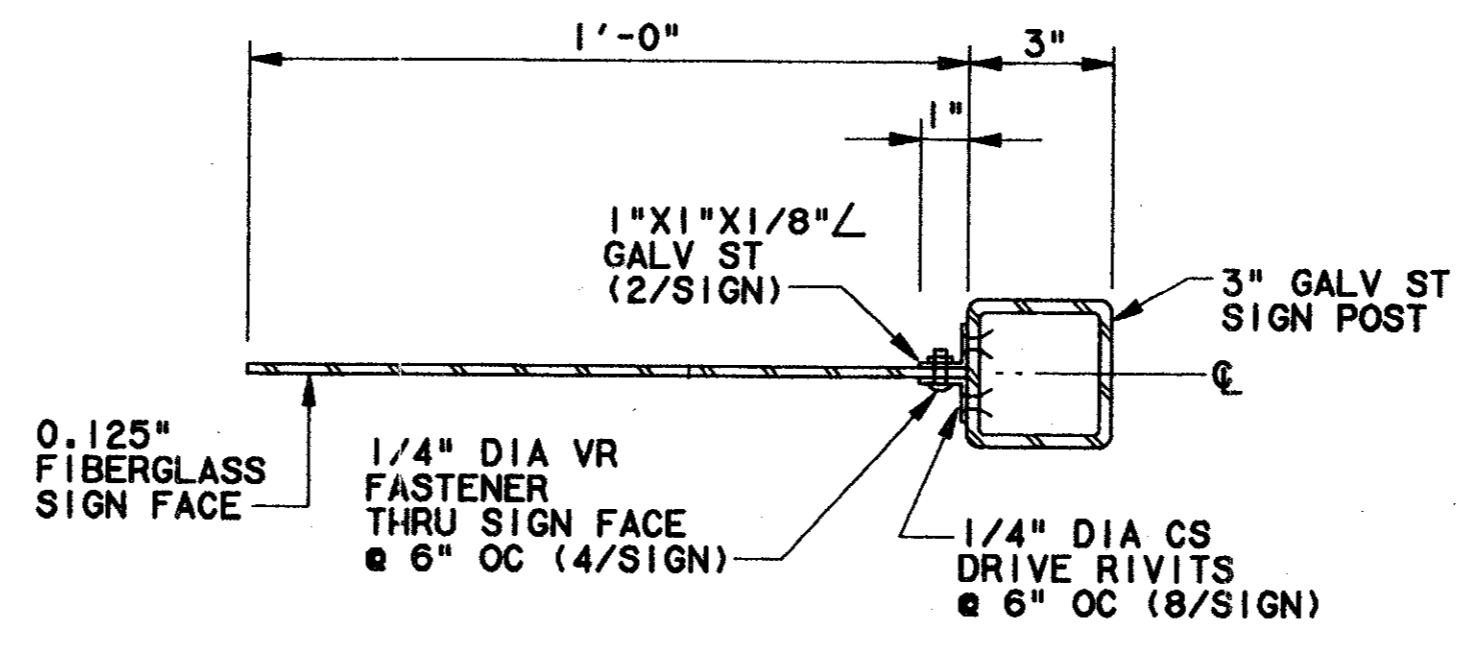
ELEVATION B
SCALE: 1"=1'-0"



ELEVATION-SIGN FACE LAYOUTS
SCALE: 1"=1'-0" **D**
A99-0015

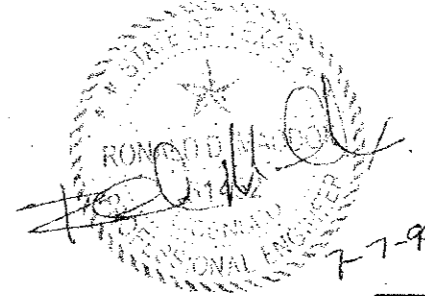


DETAIL I
SCALE: 1 1/2"=1'-0" **I**
A99-0015



SECTION C
SCALE: 3"=1'-0" **C**

APPROVED FOR CONSTRUCTION
TOM KADER
PRESIDENT



CONFORMED

CONTRACT SHEET No. 30 OF 95

REV	DATE	DESCRIPTION	BY	ENG	CHK	APP	REV	DATE	DESCRIPTION	BY	ENG	CHK	APP

WENDY LOPEZ & ASSOC.
LOCKWOOD, ANDREWS & NEWNAM
THE SWA GROUP
GERARD & ASSOCIATES
ZAXON

WLA
WENDY LOPEZ & ASSOCIATES, INC.
ENGINEERING • SURVEYING • CONSTRUCTION SERVICES
102 MARKET CENTER BLVD - SUITE 50
DALLAS, TEXAS 75201
(214) 748-7777

DART PROJECT

SCALE	AS NOTED
DRAWN	R. PIERCE
DESIGNED	A. ZREET
CHECKED	M. QUIMBY
IN CHARGE	V. STEVENS
DATE	14 AUG. 1997

SIGNAGE STANDARDS
SIGN TYPE S7.1
FACILITY BUS STOP SIGN
ELEVATIONS, DETAILS, SECTIONS