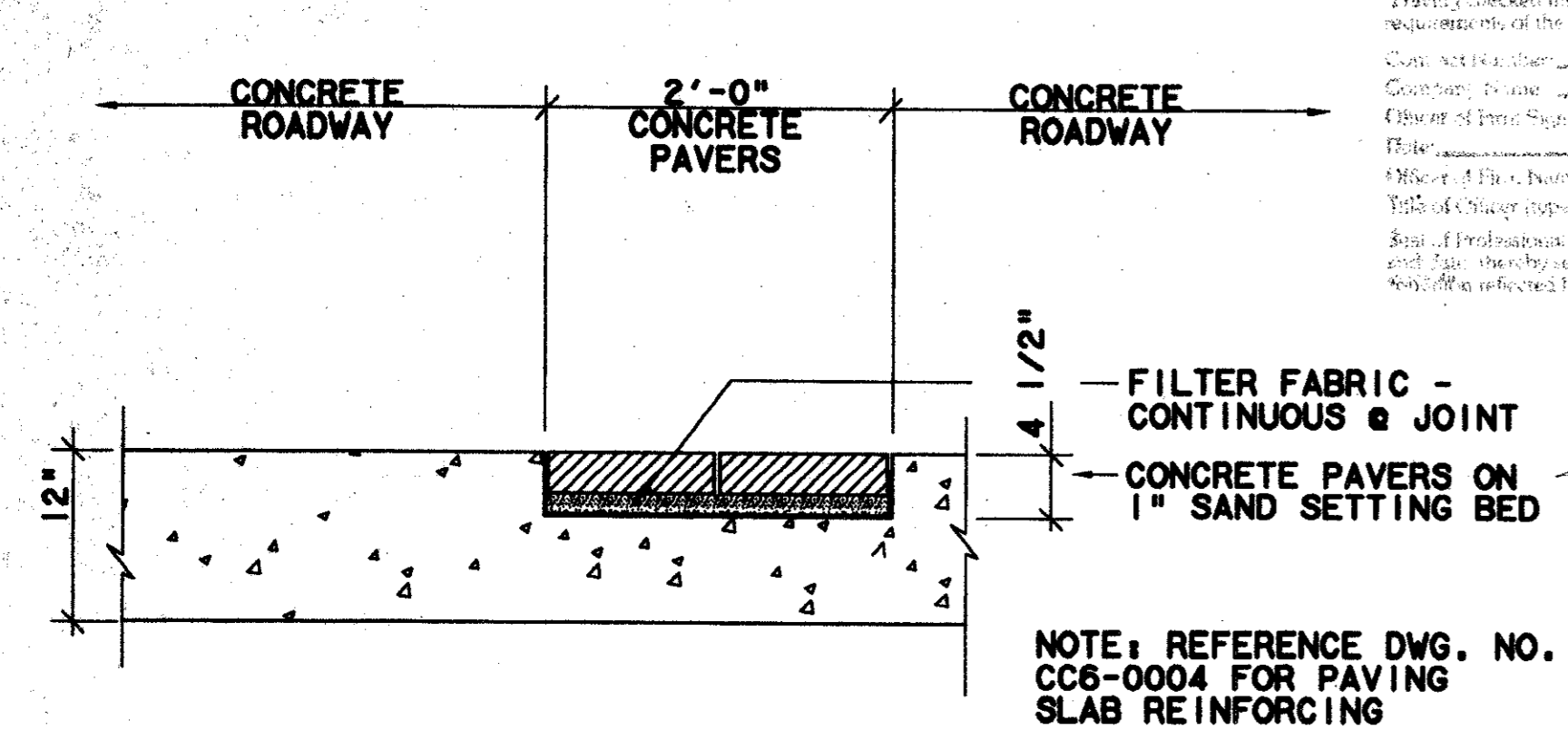


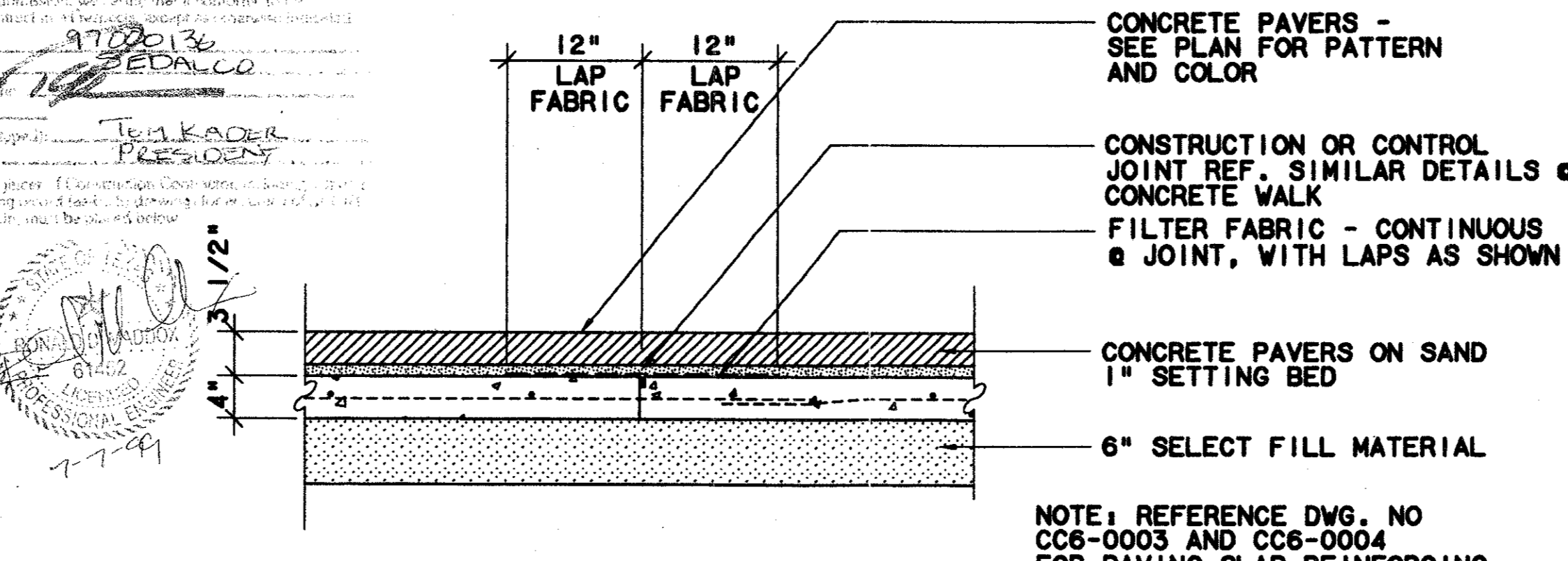
\$\$\$\$\$\$SPECIFICATION\$\$\$\$\$\$\$\$  
 \$\$\$\$SYTIME\$\$\$\$\$\$  
 \$\$\$\$PRF\$\$\$  
 \$\$\$\$USERNAME\$\$\$  
 \$\$\$\$PRF ROT\$\$\$  
 \$\$\$\$PEN\$\$\$  
 \$\$\$\$ILE6\$\$\$  
 \$\$\$\$ILE7\$\$\$  
 \$\$\$\$ILE8\$\$\$  
 \$\$\$\$ILE9\$\$\$  
 \$\$\$\$ILE10\$\$\$  
 \$\$\$\$ILE11\$\$\$  
 \$\$\$\$ILE12\$\$\$  
 \$\$\$\$ILE13\$\$\$  
 \$\$\$\$ILE14\$\$\$  
 \$\$\$\$ILE15\$\$\$

1000-2071 \*ON 04D

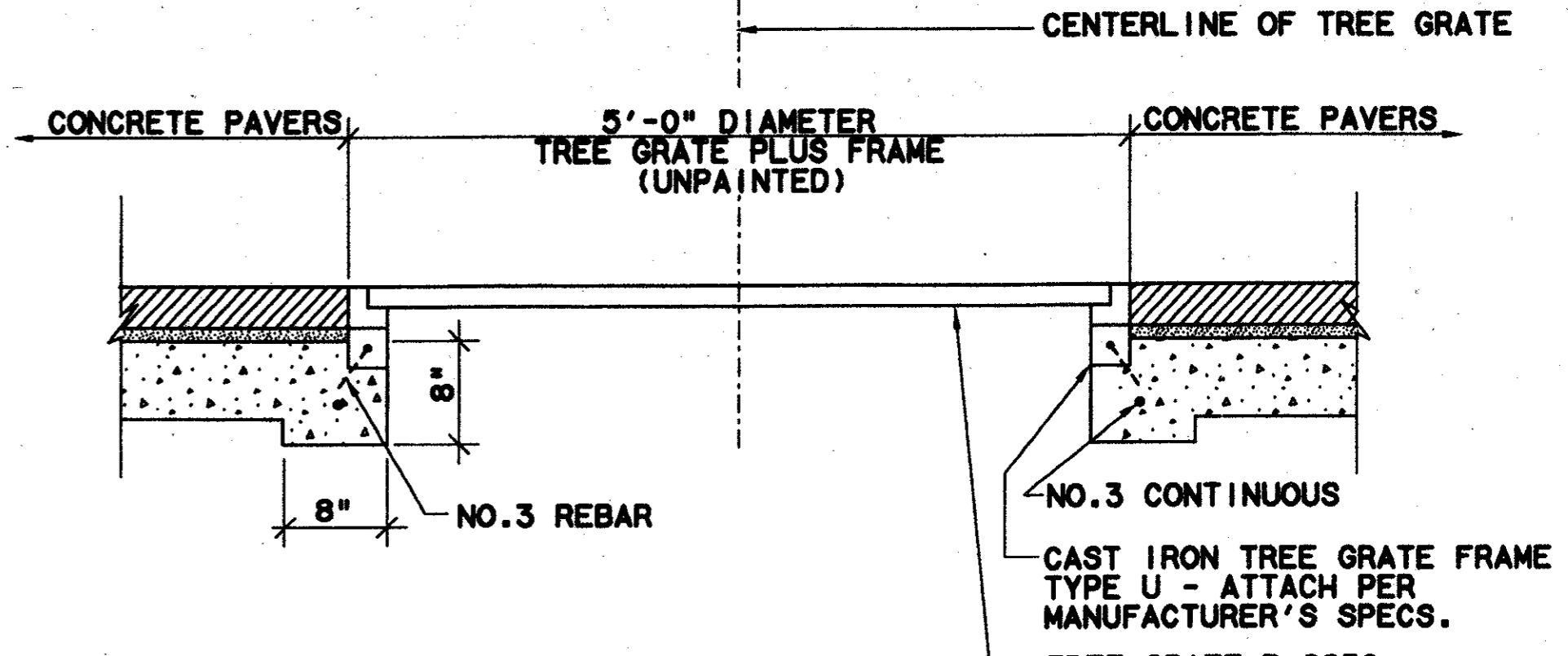
Record (A-424) Certificate  
 "Having checked the submission, we certify that it complies with the requirements of the contract documents and the applicable codes and regulations."  
 970013  
 PEDALLO  
 JENKADER  
 PRESIDENT  
 JENKADER  
 01/12  
 1791



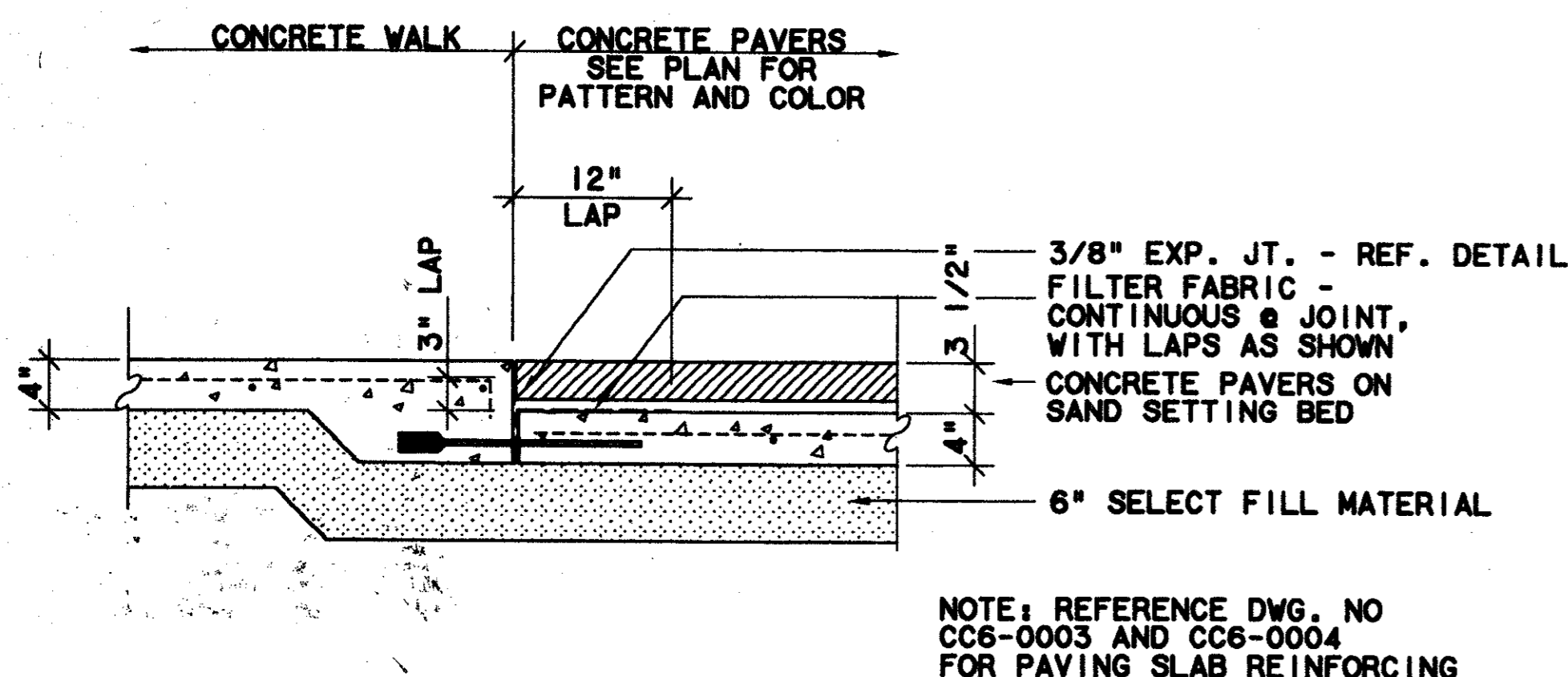
**PAVER INSET @ ROADWAY - SECTION**  
 SCALE: 1"=1'-0"  
 CC5-0009  
 CC5-0010



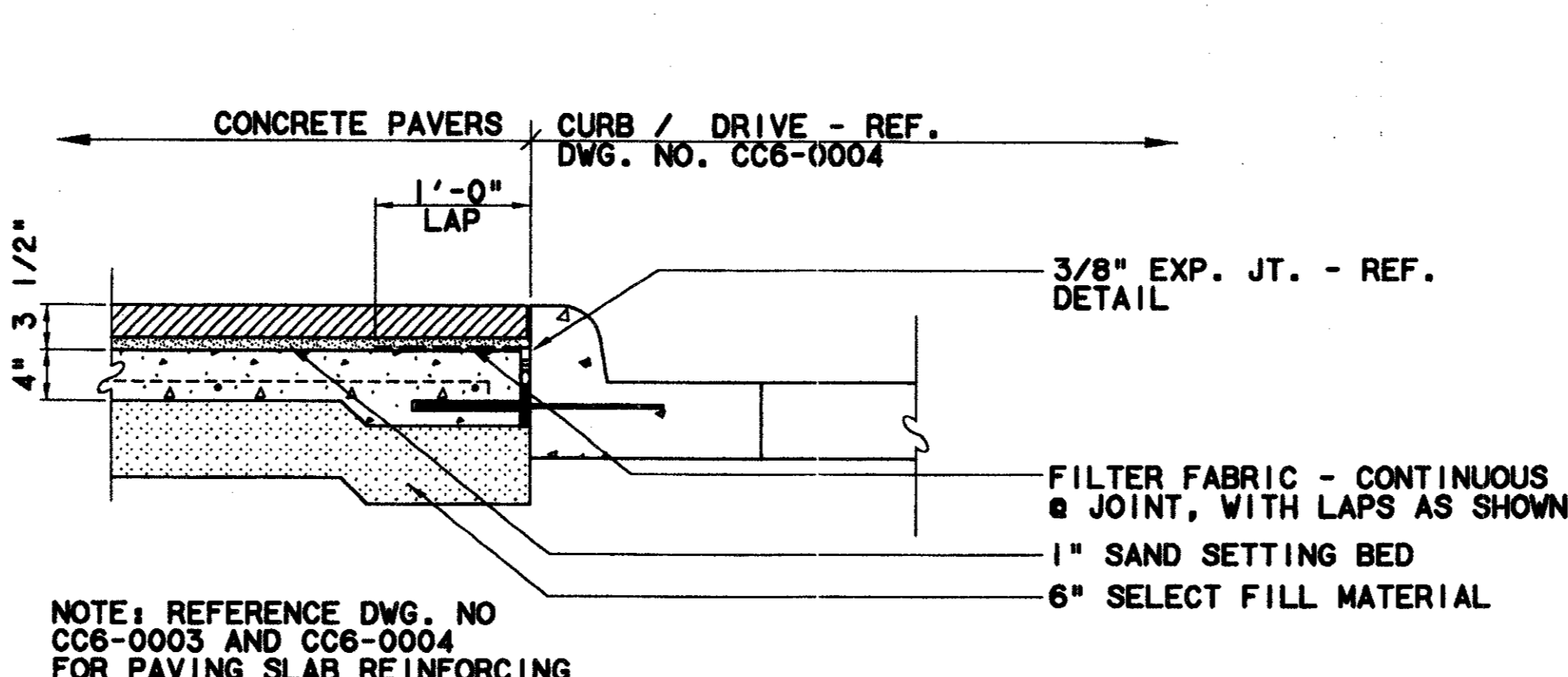
**PAVERS OVER CONTROL JOINT - SECTION**  
 SCALE: 1"=1'-0"  
 CC5-0008



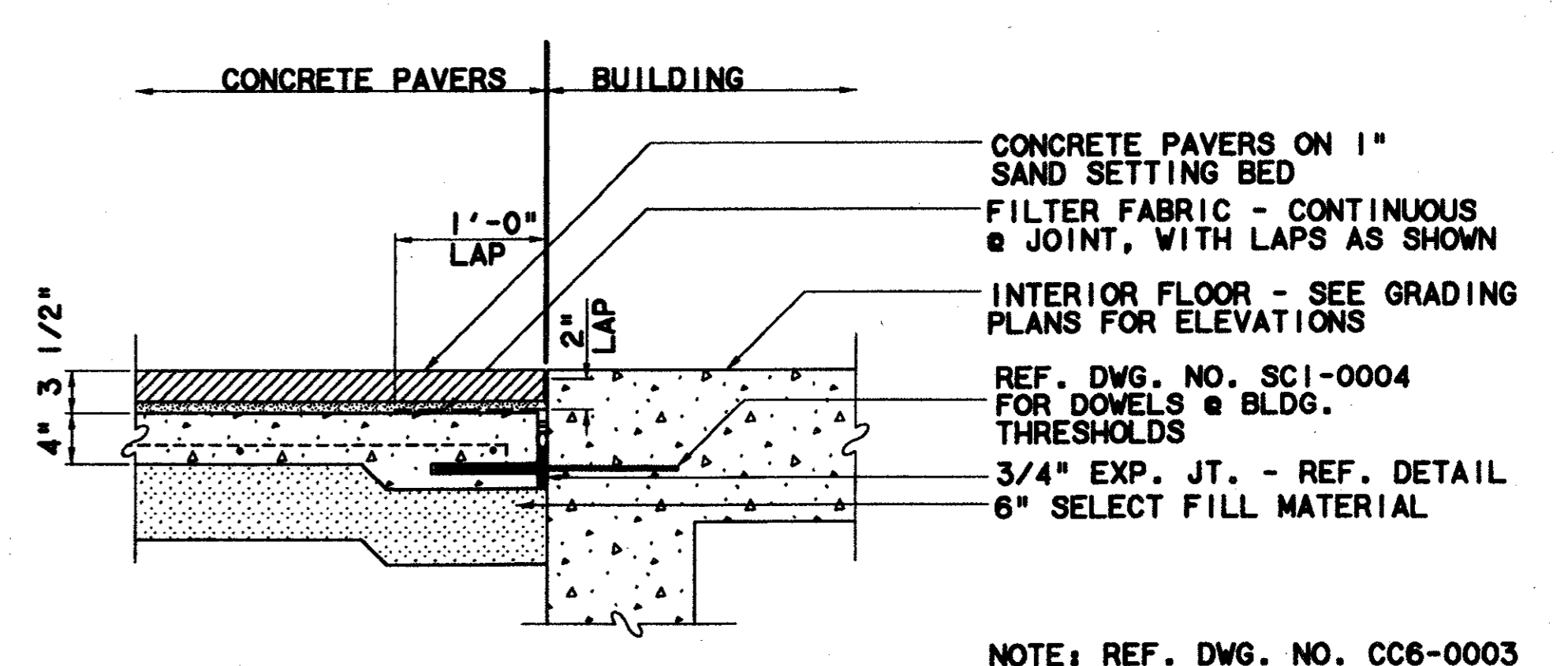
**PAVERS @ TREE GRATE - SECTION**  
 SCALE: 1"=1'-0"  
 CC5-0009



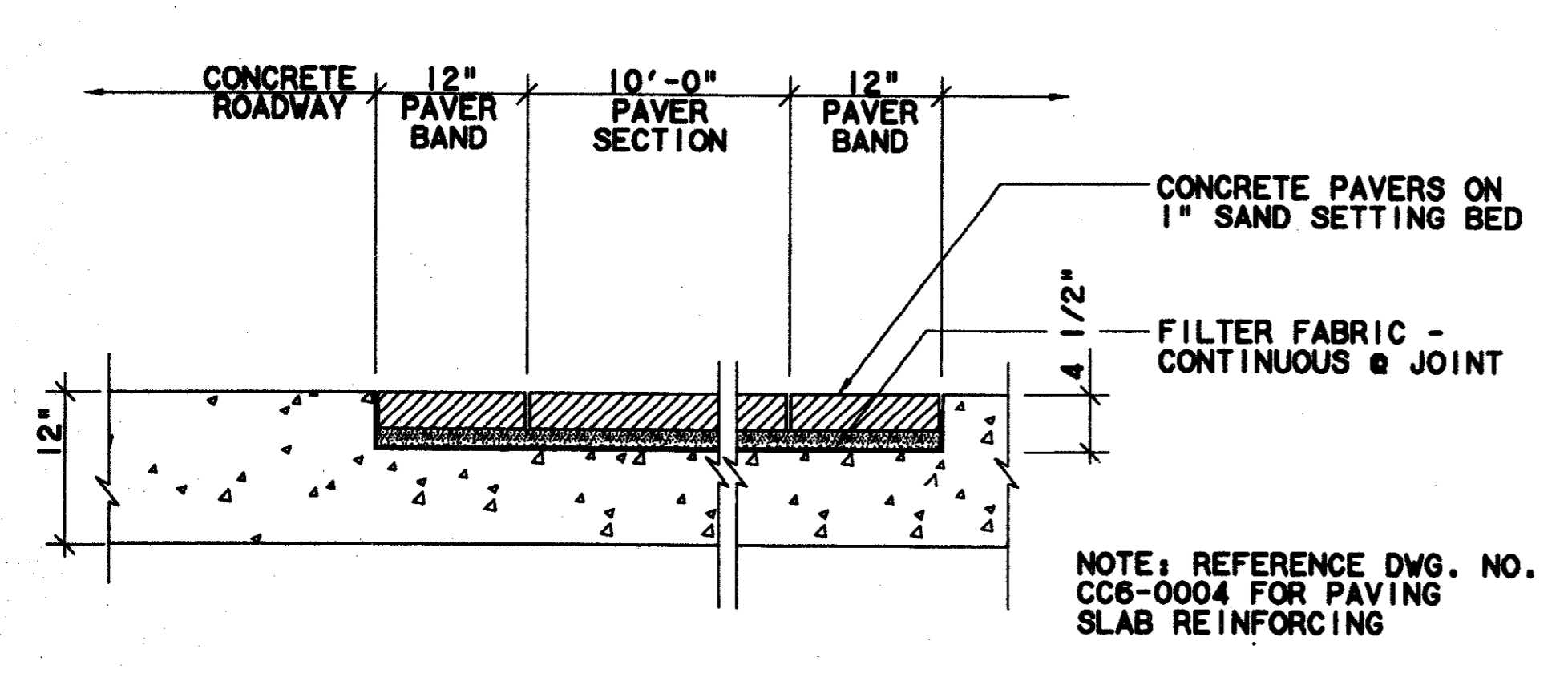
**PAVERS @ CONCRETE WALK - SECTION**  
 SCALE: 1"=1'-0"  
 CC5-0009  
 CC5-0010



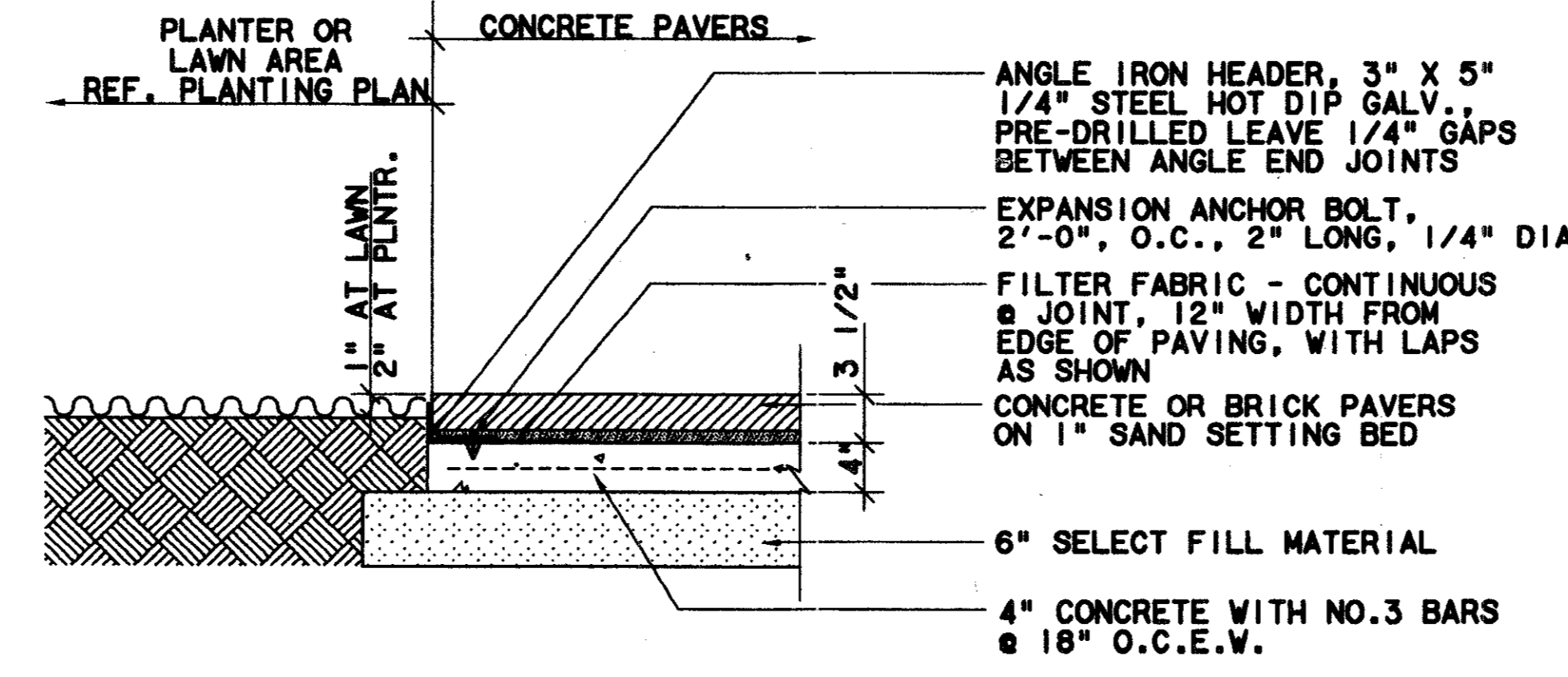
**PAVERS @ CURB - SECTION**  
 SCALE: 1"=1'-0"  
 CC5-0009



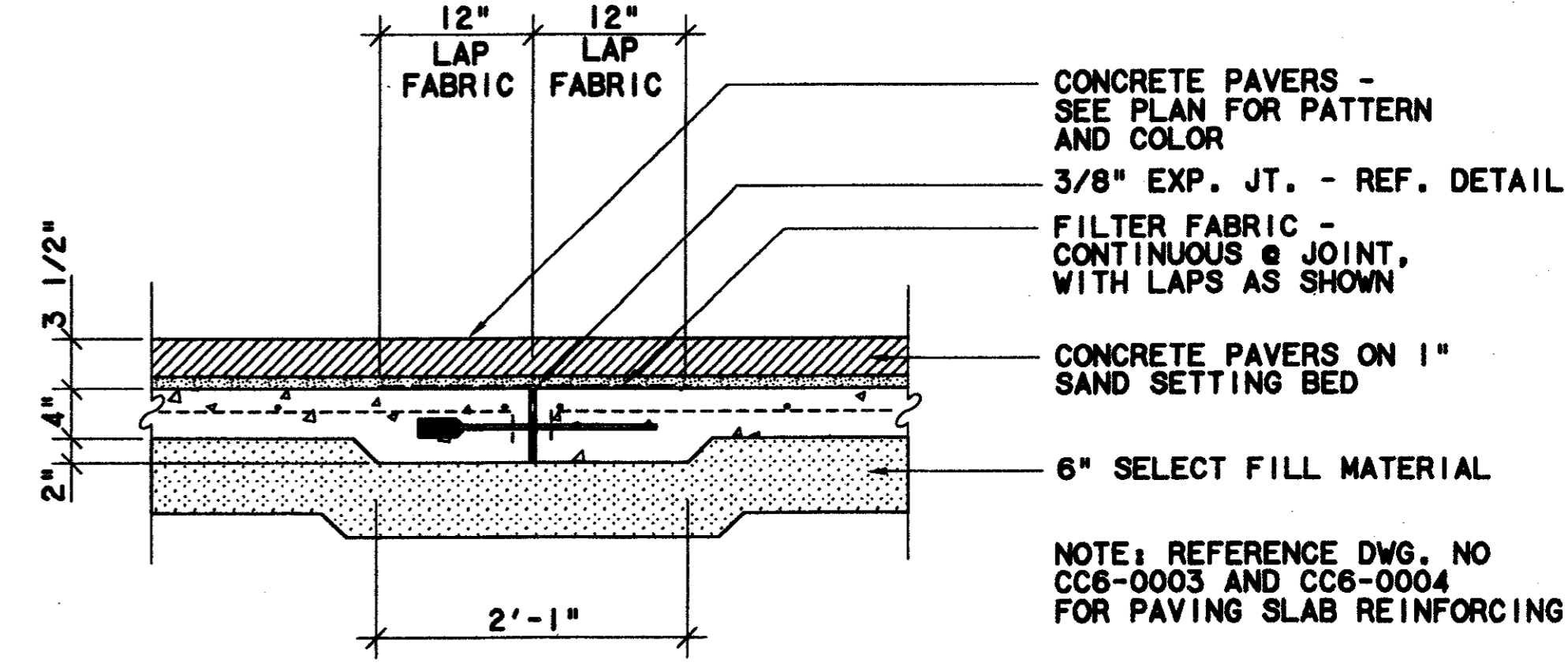
**PAVERS @ BUILDING - SECTION**  
 SCALE: 1"=1'-0"  
 CC5-0009



**PAVER INSET @ ROADWAY - SECTION**  
 SCALE: 1"=1'-0"  
 CC5-0010



**PAVERS @ PLANTER - SECTION**  
 SCALE: 1"=1'-0"  
 CC5-0009  
 CC5-0010

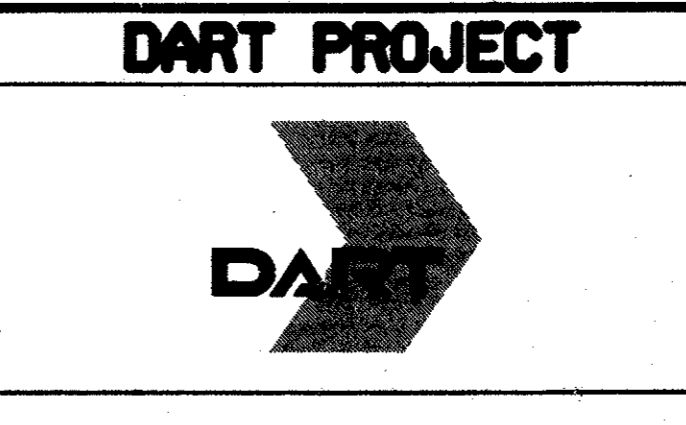
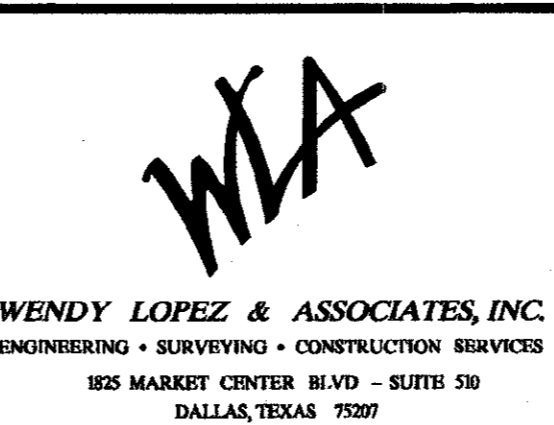
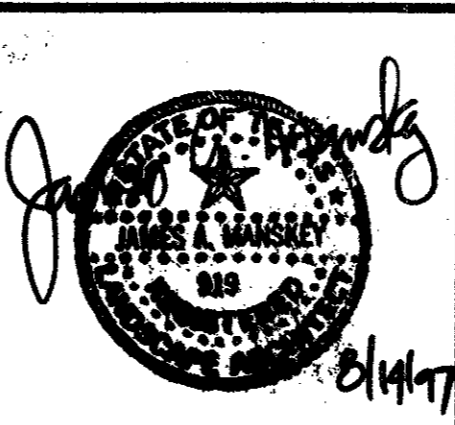


**PAVERS OVER EXPANSION JOINT - SECTION**  
 SCALE: 1"=1'-0"  
 CC5-0008

**CONFORMED**

CONTRACT SHEET No. 47 OF 95

REV	DATE	DESCRIPTION	BY	ENG	CHK	APP	REV	DATE	DESCRIPTION	BY	ENG	CHK	APP



SCALE	AS NOTED
DRAWN	N. AVETON
DESIGNED	C. MILLER
CHECKED	C. MILLER
IN CHARGE	V. STEVENS
DATE	14 AUGUST 97

**ADDISON TRANSIT CENTER**  
**HARDSCAPE DETAILS**  
 CONTRACT C-97000136  
 DWG No. LC2-0001  
 REV 0