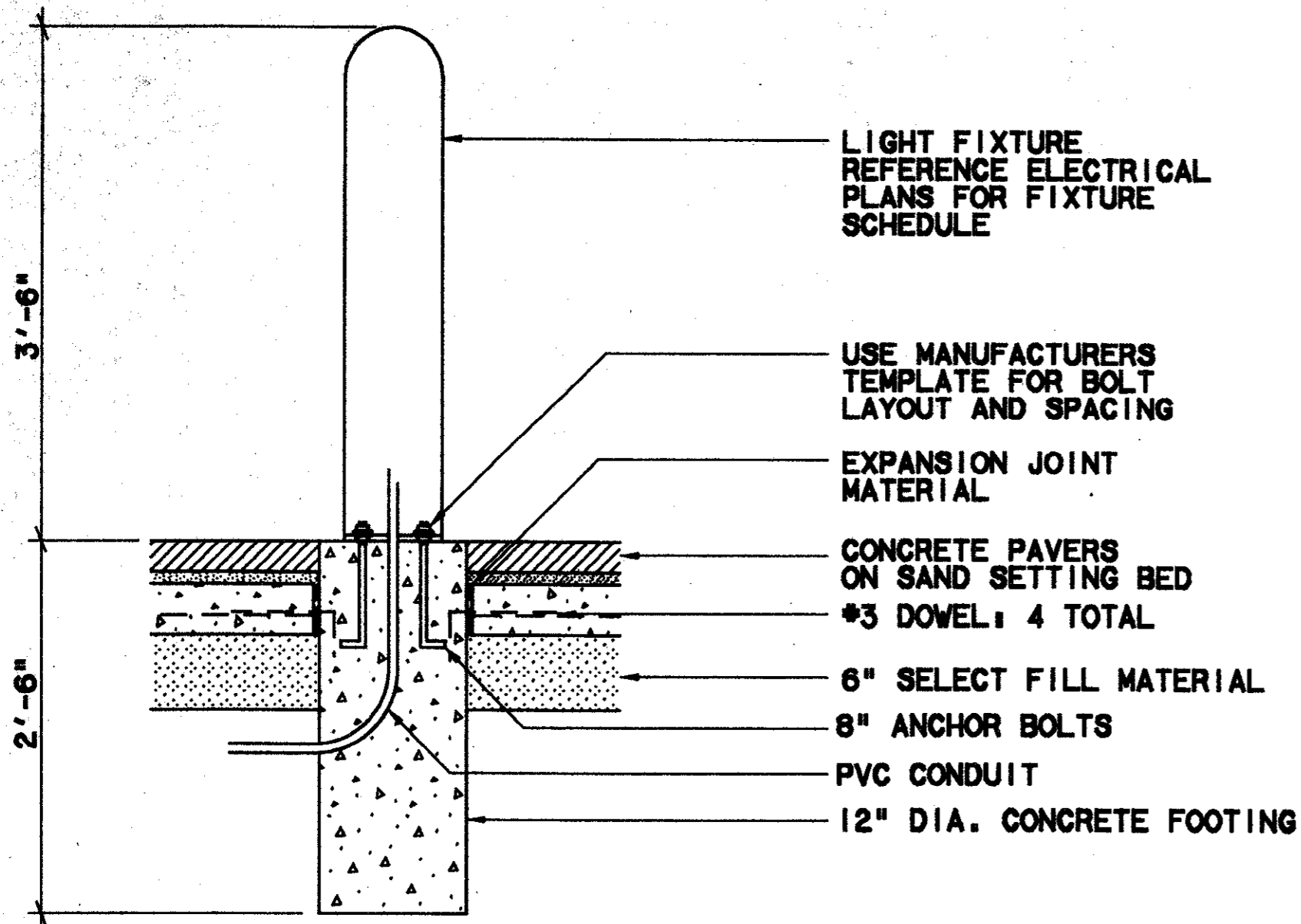


\$\$\$DN\$SPECIFICATION\$
 \$\$\$SYTIME\$\$\$
 \$\$\$USERNAME\$\$\$
 \$\$\$PRF ROT\$\$\$
 \$\$\$PEN\$\$\$
 \$\$\$FILE1\$\$\$
 \$\$\$FILE2\$\$\$
 \$\$\$FILE3\$\$\$
 \$\$\$FILE4\$\$\$
 \$\$\$FILE5\$\$\$

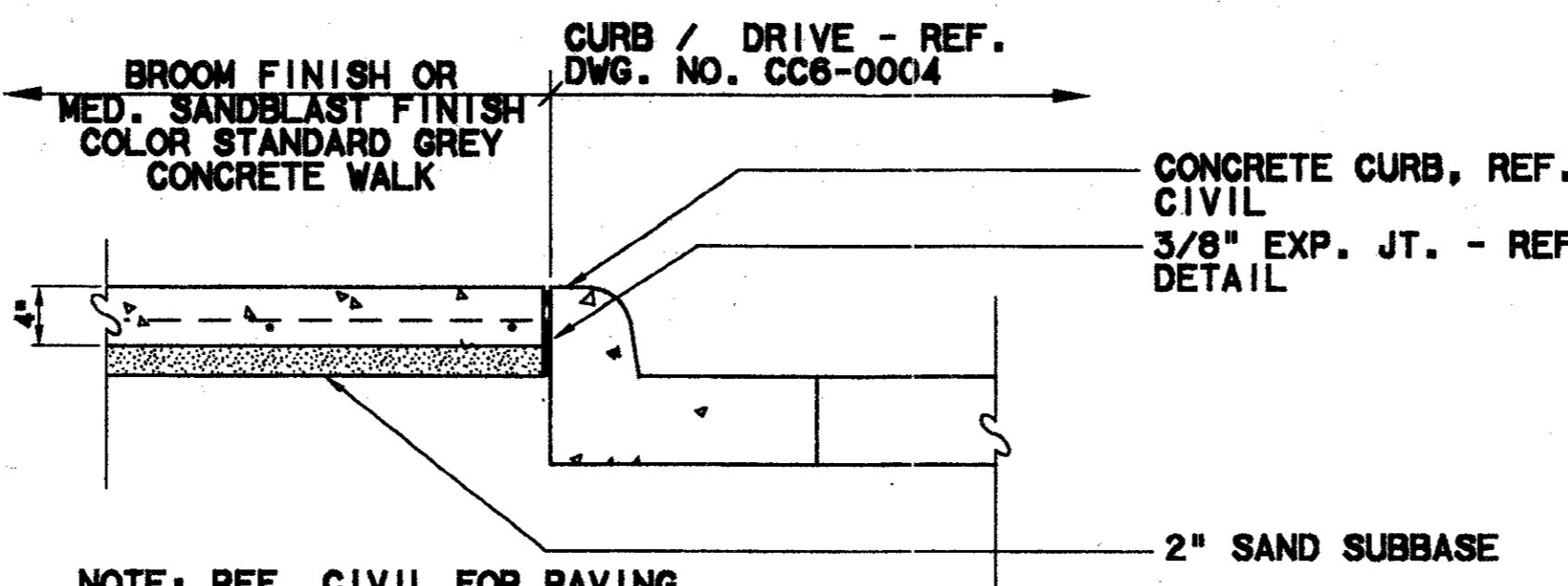
2000-237 *ON 9AC



PAVERS @ LIGHT BOLLARD - SECTION

SCALE: 1"=1'-0"

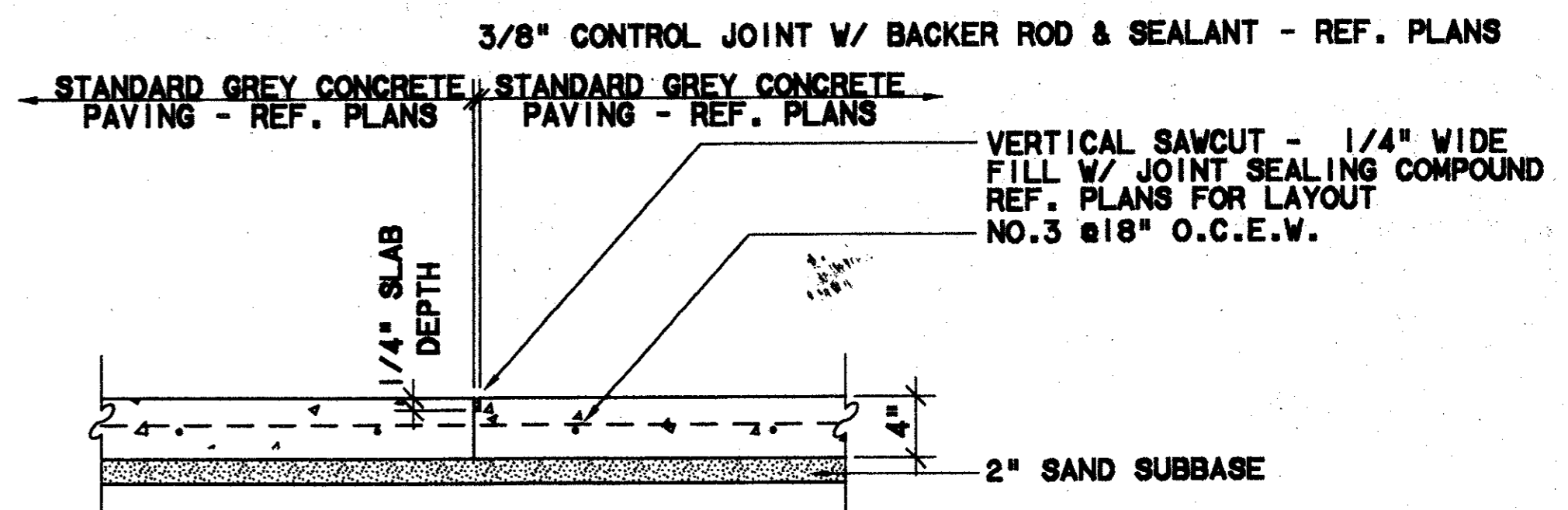
7
CC5-0009



CONC. WALK @ CURB - SECTION

SCALE: 1"=1'-0"

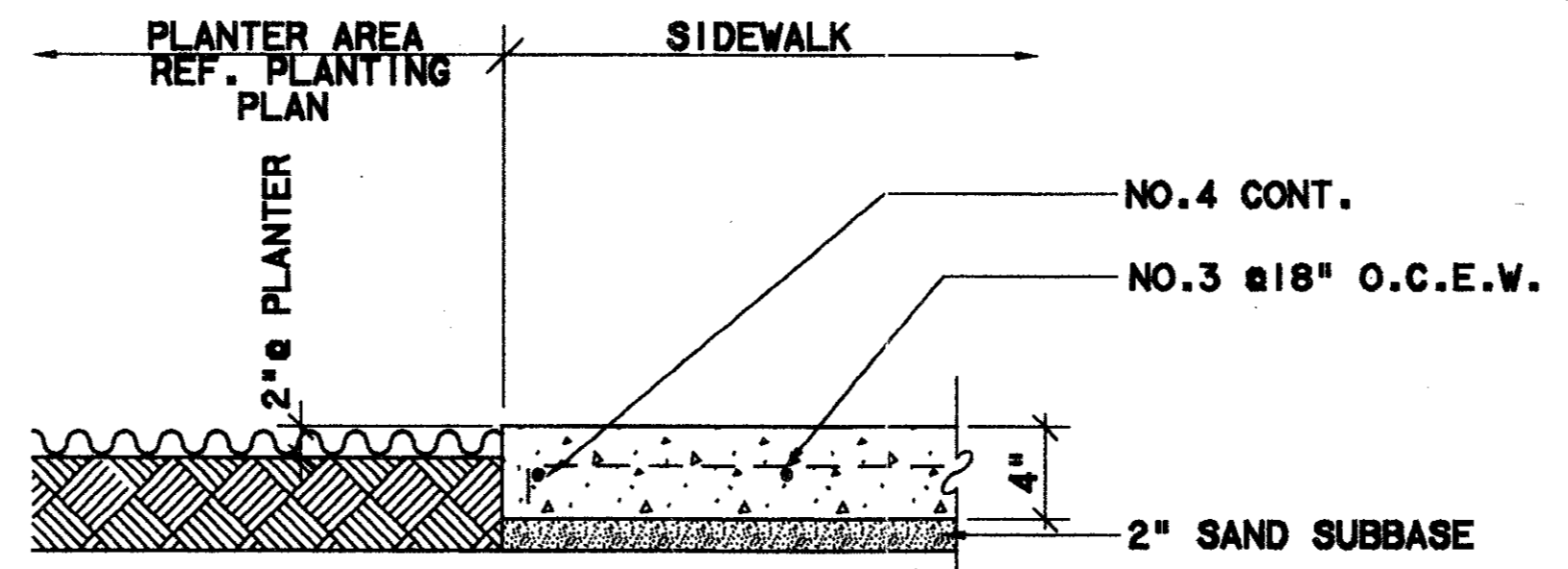
4
CC5-0007
CC5-0010



CONSTRUCTION JOINT - SECTION

SCALE: 1"=1'-0"

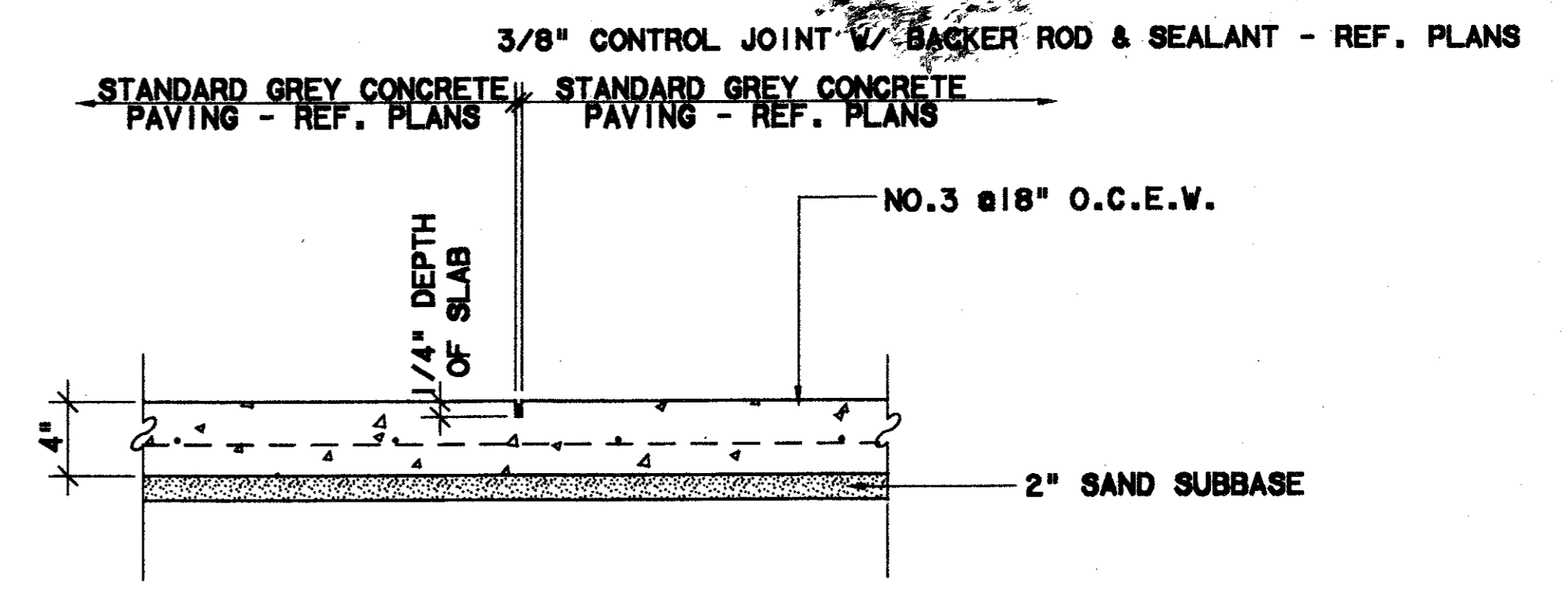
1



CONC. WALK @ PLANTER - SECTION

SCALE: 1"=1'-0"

5
CC5-0007
CC5-0010

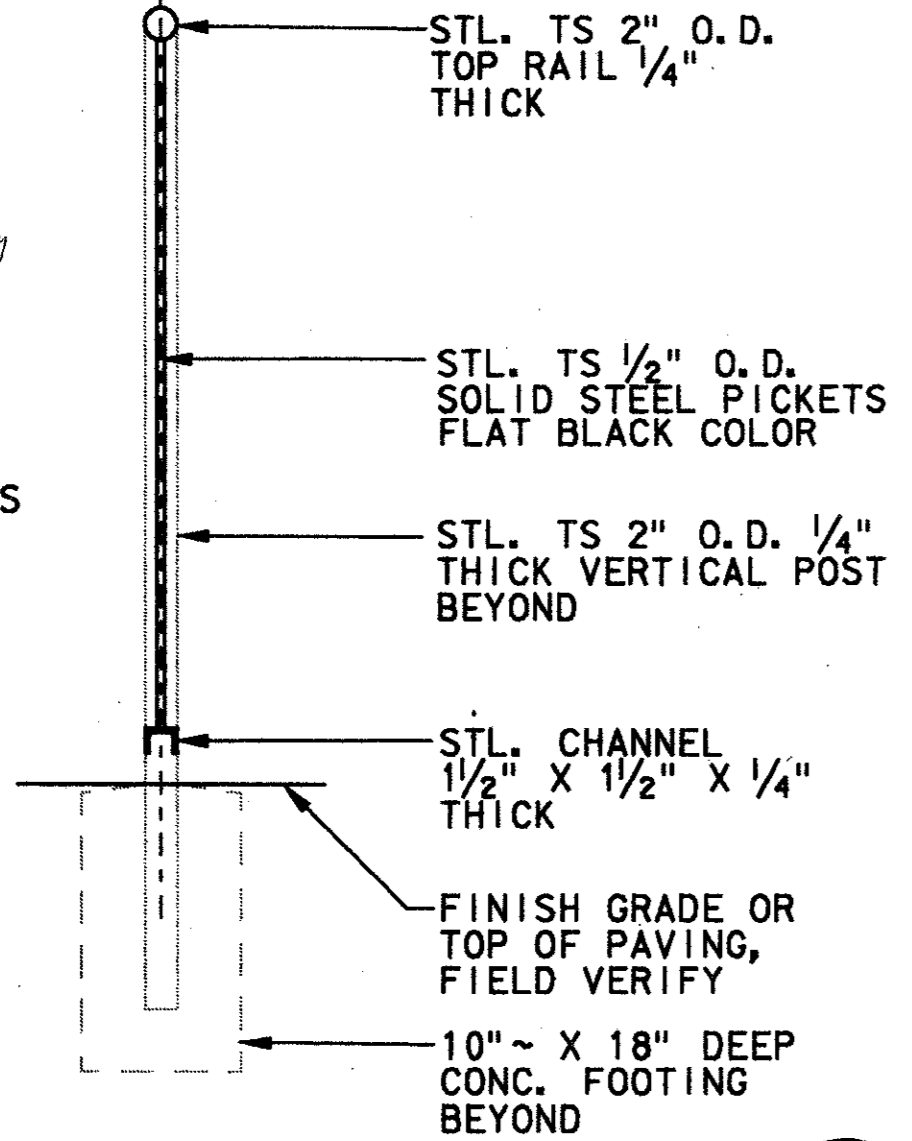


CONTROL JOINT - SECTION

SCALE: 1"=1'-0"

2
CC5-0007

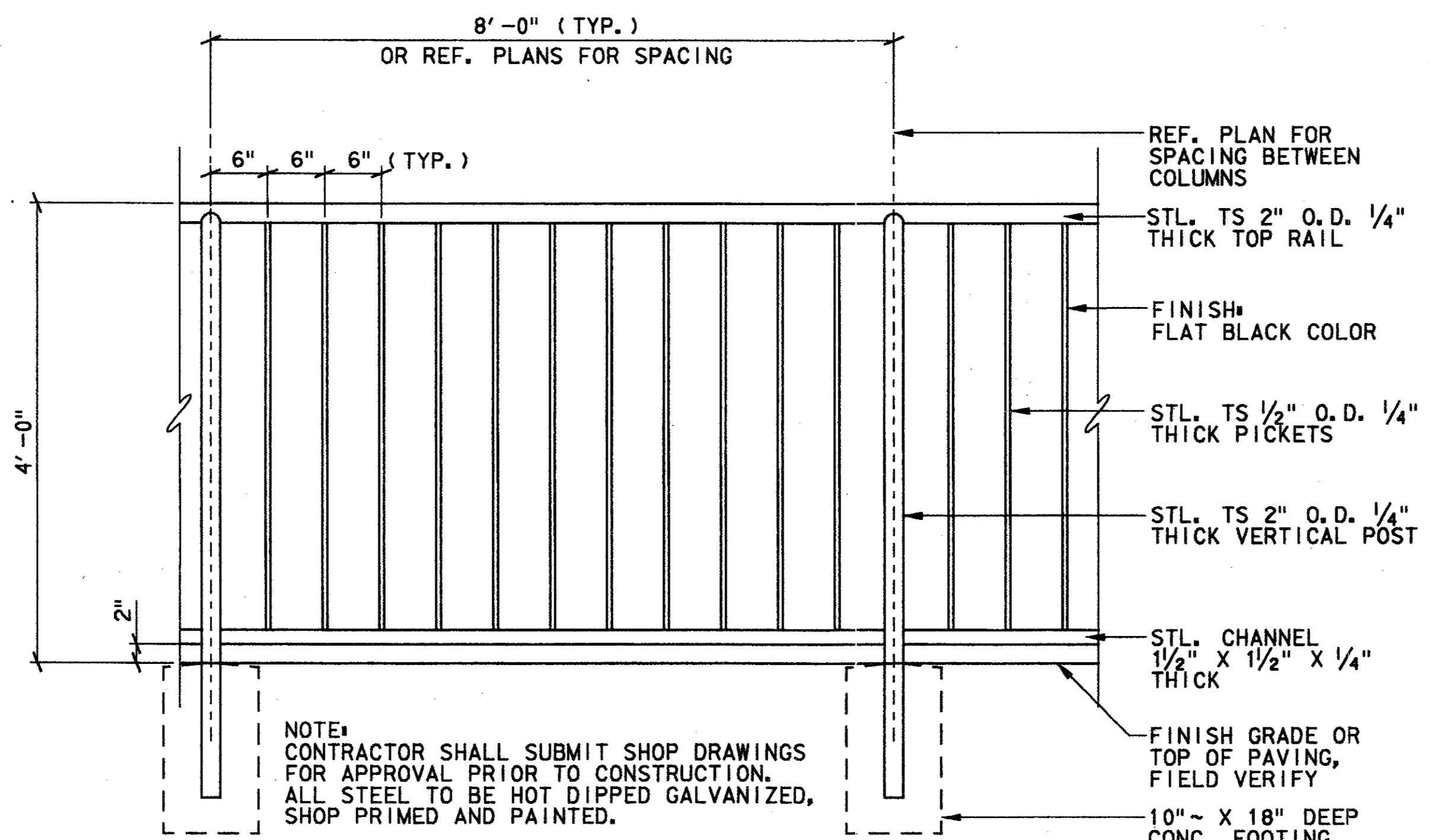
Record (As-built) Certification
 Having checked this submission, we certify that it conforms to the requirements of the contract in all respects, except as otherwise indicated.
 Contract Number: 97000136
 Company Name: DEBALCO
 Date: 11/11/99
 Officer of Firm: TOM KADER, PRESIDENT
 Title of Officer: PRESIDENT
 Seal of Professional Engineer of Construction Contracted, and design, direct or indirect supervision, and preparation of drawings, and other professional services, shall be signed by the professional engineer reflected herein, under his direct supervision.



FENCE - SECTION

SCALE: 1"=1'-0"

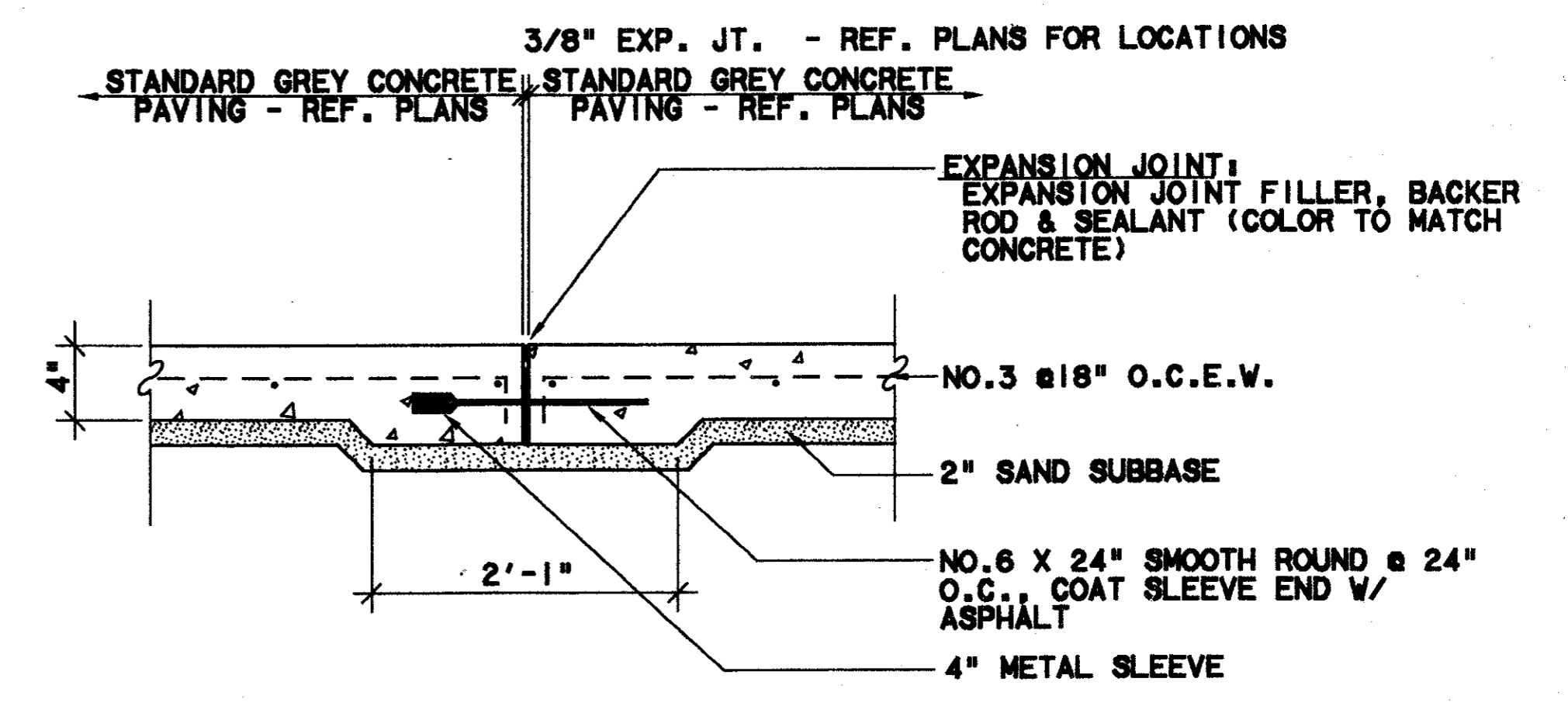
8
CC5-0007
CC5-0009



FENCE - ELEVATION

SCALE: 1"=1'-0"

6
CC5-0007
CC5-0009



EXPANSION JOINT - SECTION

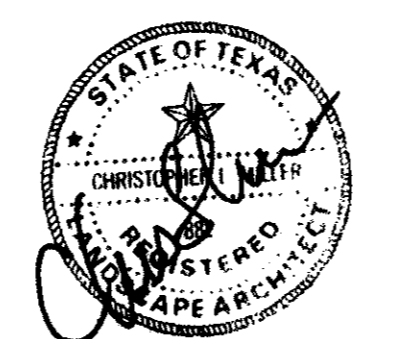
SCALE: 1"=1'-0"

3
CC5-0007

CONFORMED

CONTRACT SHEET No. 48 OF 95

REV	DATE	DESCRIPTION	BY	ENG	CHK	APP	REV	DATE	DESCRIPTION	BY	ENG	CHK	APP



2211 North Lamar
Dallas, Texas 75202
214-954-0016



WENDY LOPEZ & ASSOCIATES, INC.
ENGINEERING • SURVEYING • CONSTRUCTION SERVICES
1025 MARKET CENTER BLVD - SUITE 510
DALLAS, TEXAS 75207
(214) 742-7777

DART PROJECT



SCALE	AS NOTED
DRAWN	N. AVETON
DESIGNED	G. MILLER
CHECKED	G. MILLER
IN CHARGE	V. STEVENS
DATE	14 AUGUST 97

ADDISON TRANSIT CENTER HARDSCAPE DETAILS

CONTRACT C-97000136 DWG No. LC2-0002 REV 0