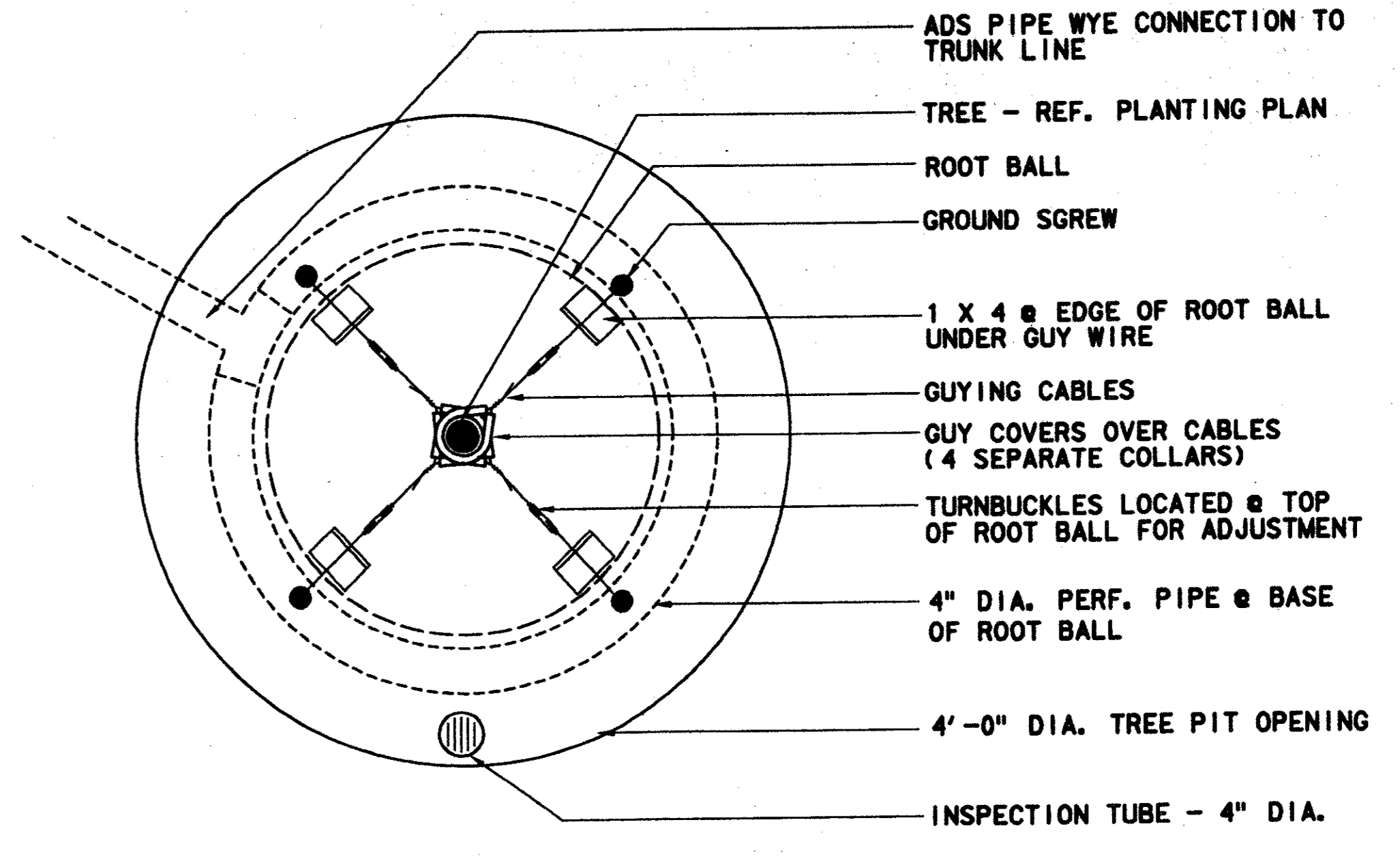
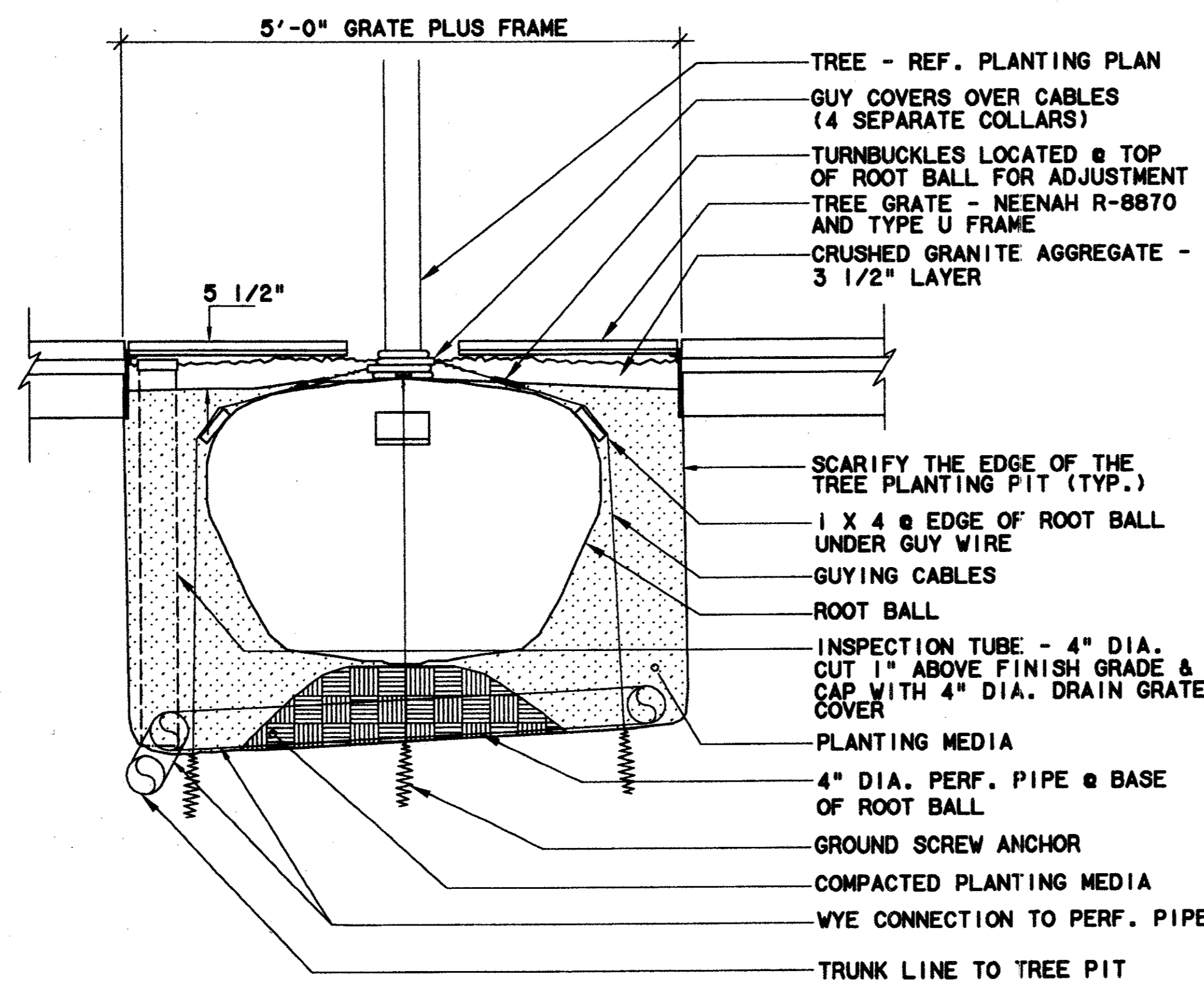


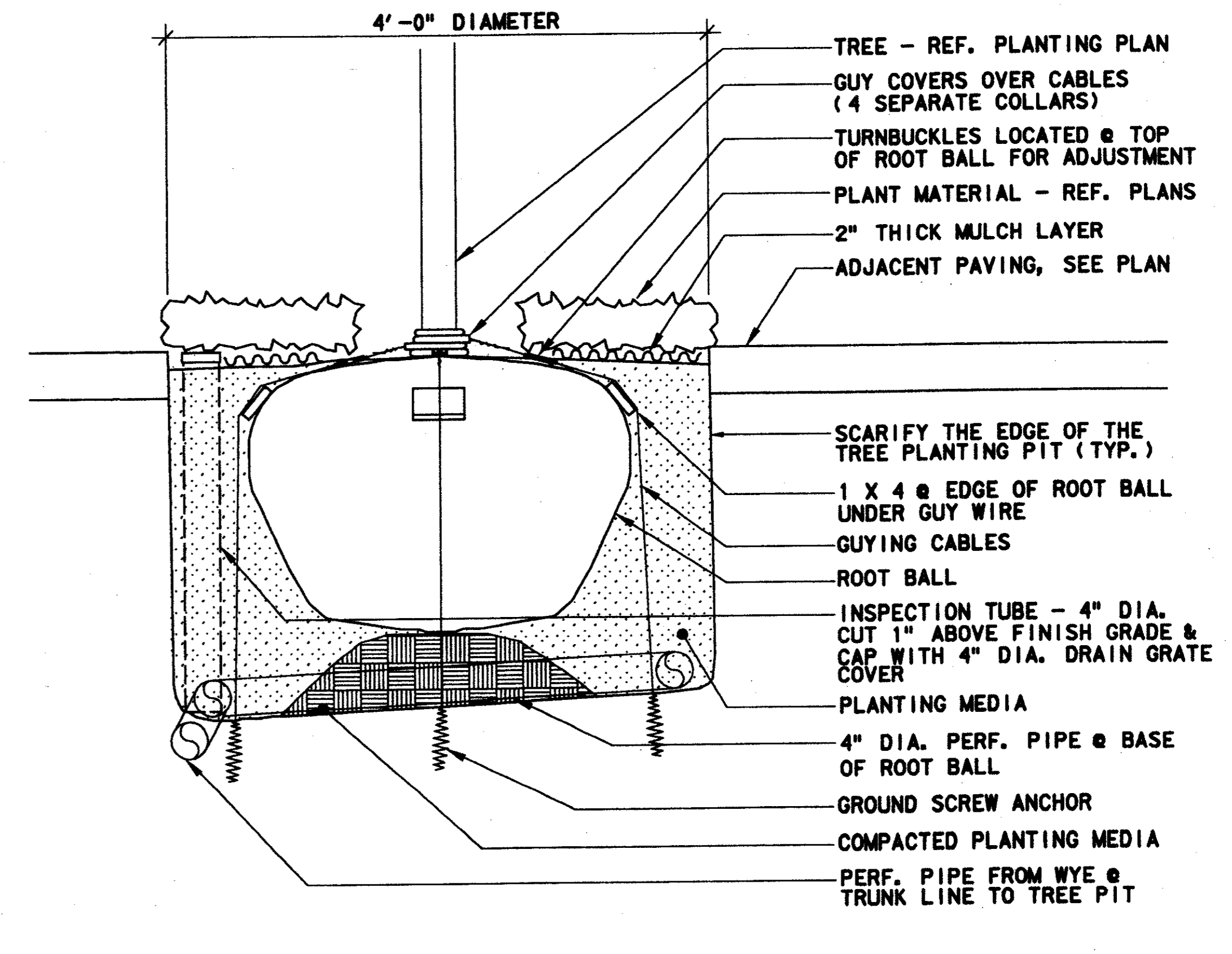
**TREE PLANTER @ TREE GRATE - PLAN** (3)  
N.T.S.



**TREE PLANTER PIT - PLAN** (1)  
N.T.S.



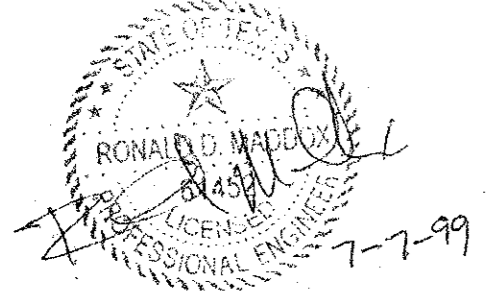
**TREE GUYING @ TREE GRATE - SECTION** (4)  
N.T.S.



**TREE GUYING @ OPENING - SECTION** (2)  
N.T.S.

**CONFORMED**

Record (As-built) Construction  
Having checked this work, we certify that it conforms to the requirements of the contract documents, except as otherwise noted.  
Contract Number: 1700036  
Company Name: DA  
City or Firm: DALLAS  
Date: 8/14/99  
Title of Officer or Project: RESIDENT  
Name of Firm: DA  
Title of Professional Engineer: RONALD D. WATSON  
Date: 8/14/99



REV	DATE	DESCRIPTION	BY	ENG	CHK	APP	REV	DATE	DESCRIPTION	BY	ENG	CHK	APP

 2211 North Lamar Dallas, Texas 75202 214-884-0018	 WENDY LOPEZ & ASSOCIATES, INC. ENGINEERING • SURVEYING • CONSTRUCTION SERVICES 1825 MARKET CENTER BLVD - SUITE 510 DALLAS, TEXAS 75207 (214) 741-7777	<b>DART PROJECT</b> 	SCALE	AS NOTED	<b>ADDISON TRANSIT CENTER PLANTING DETAILS</b>			
			DRAWN	N. AVETON				
DESIGNED	C. MILLER							
CHECKED	C. MILLER							
IN CHARGE	V. STEVENS							
DATE	14 AUGUST 97							
			CONTRACT	C-97000136	DWG No.	LC2-0004	REV	0

\$\$\$PRF ROT\$\$\$  
 \$\$\$SYTIME\$\$\$  
 \$\$\$PRF\$\$\$  
 \$\$\$USERNAME\$\$\$  
 \$\$\$FILE1\$\$\$  
 \$\$\$FILE2\$\$\$  
 \$\$\$FILE3\$\$\$  
 \$\$\$FILE4\$\$\$  
 \$\$\$FILE5\$\$\$