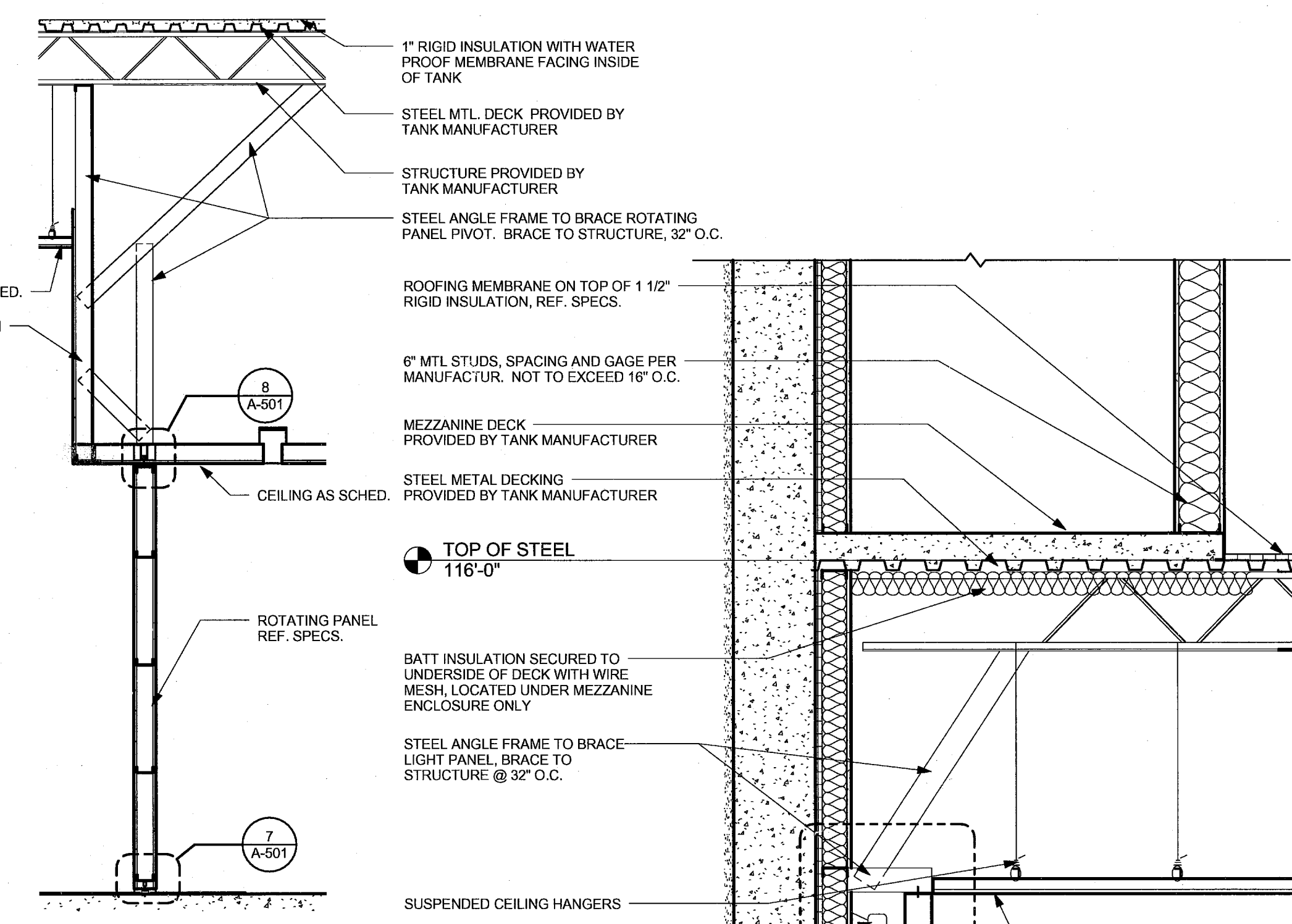
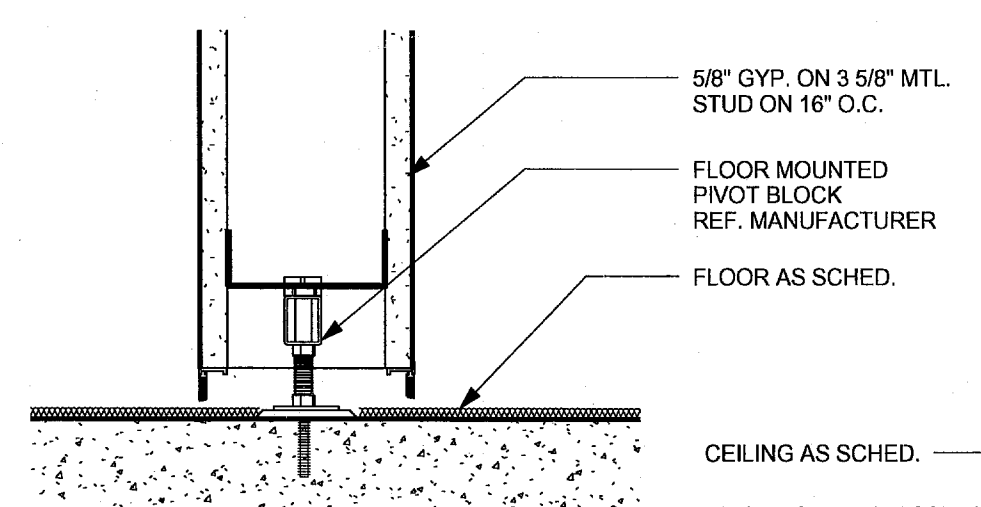


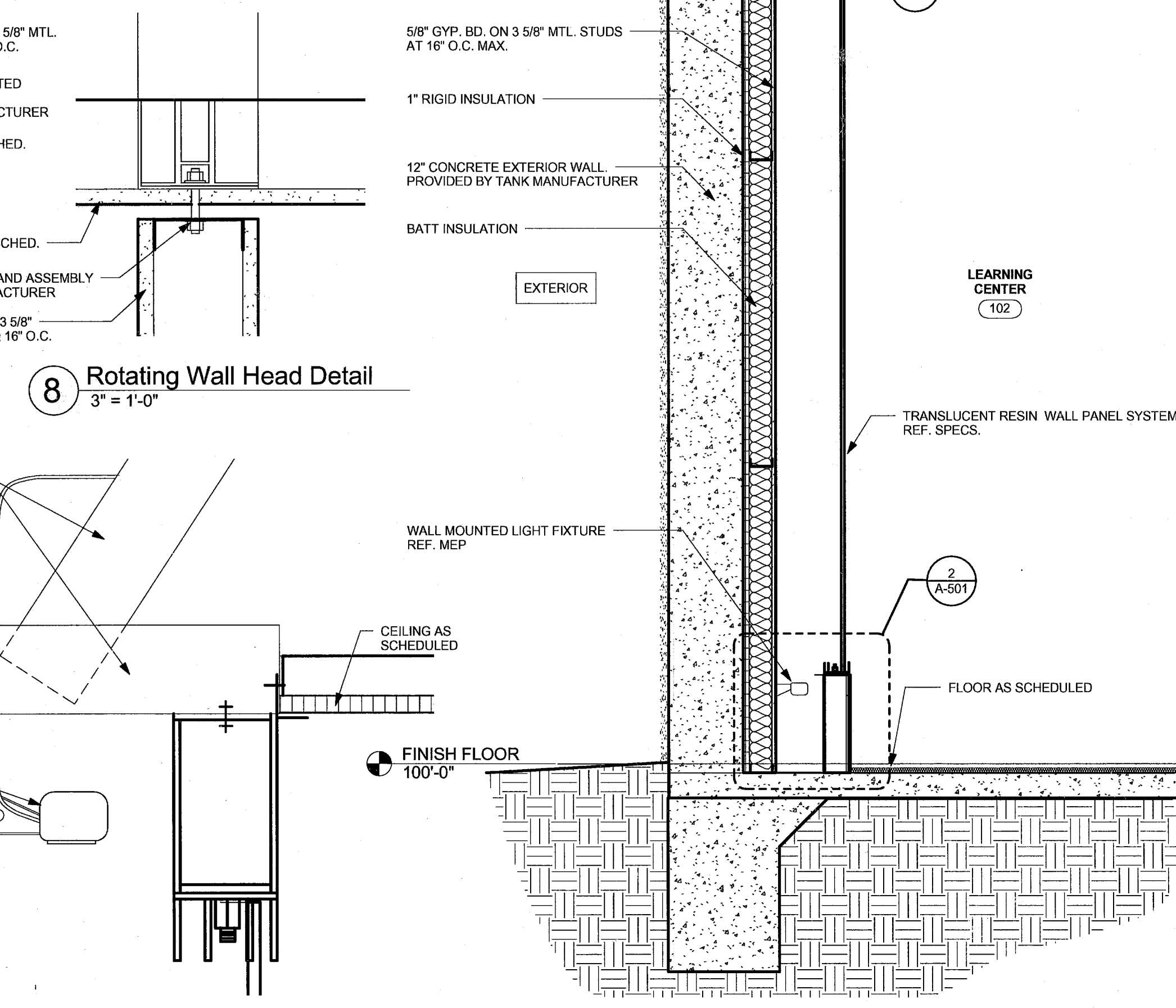
**1 Building Section**  
1/4" = 1'-0"



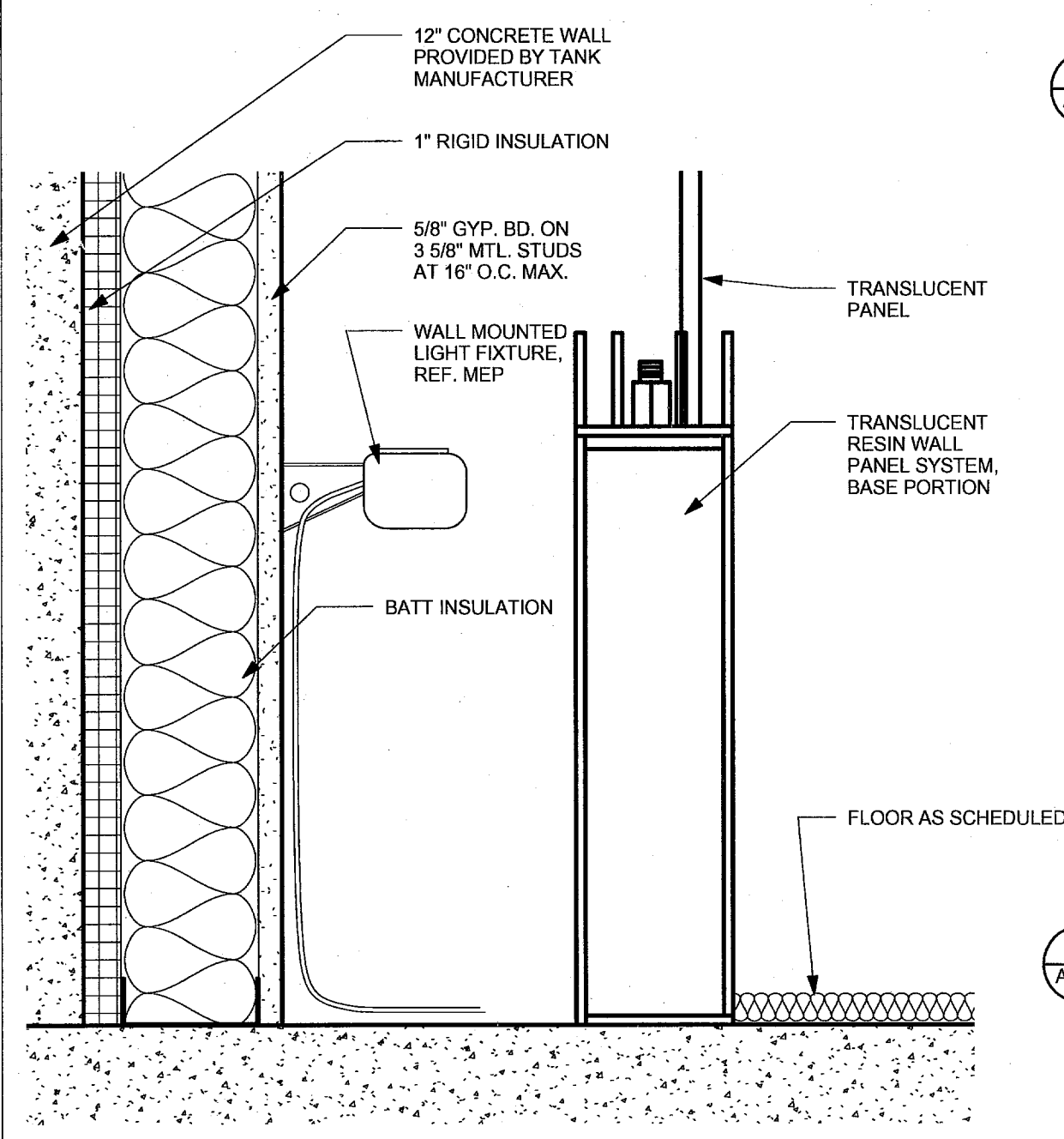
**6 Rotating Wall Section**  
1/2" = 1'-0"



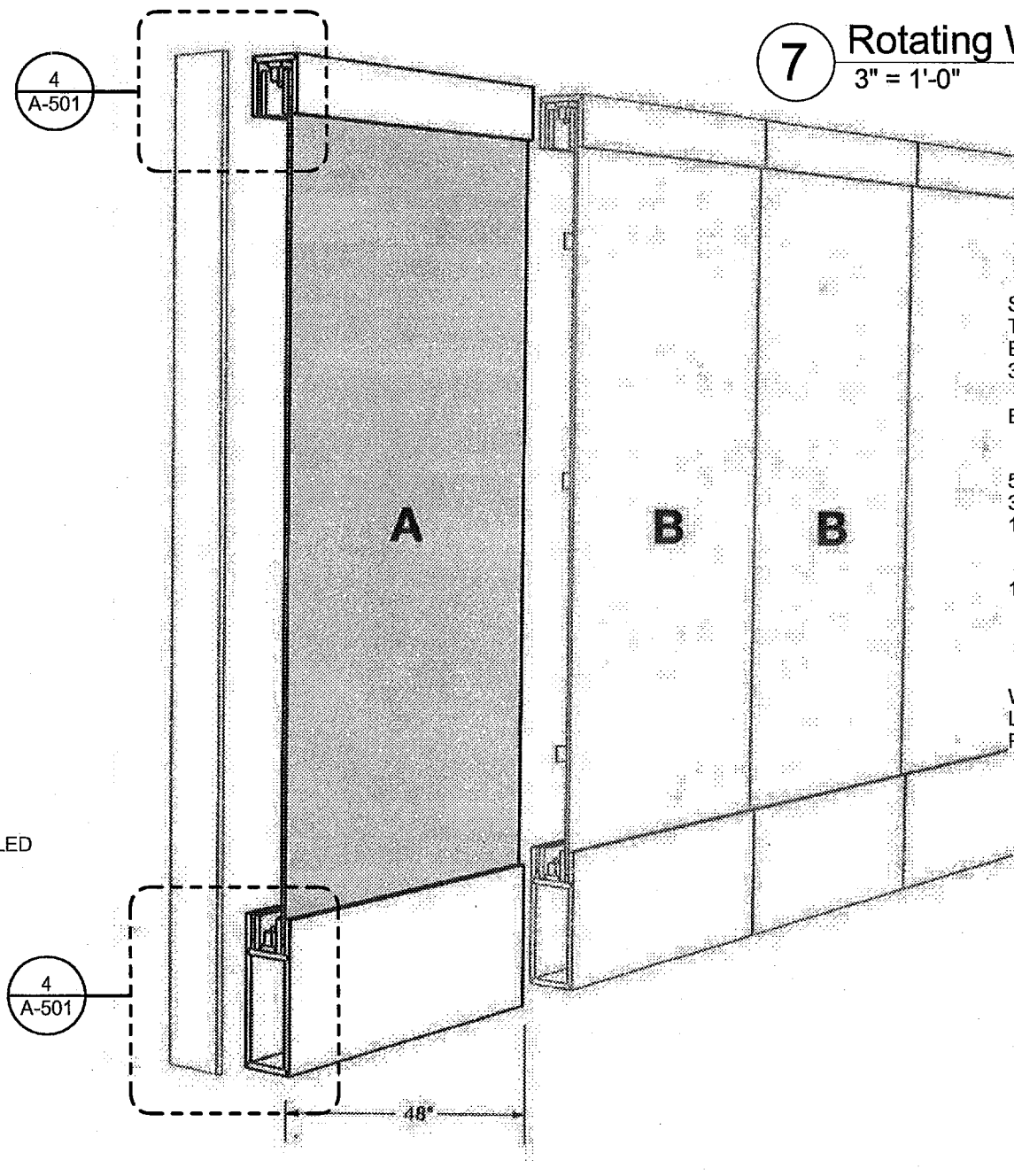
**7 Rotating Wall Base Detail**  
3" = 1'-0"



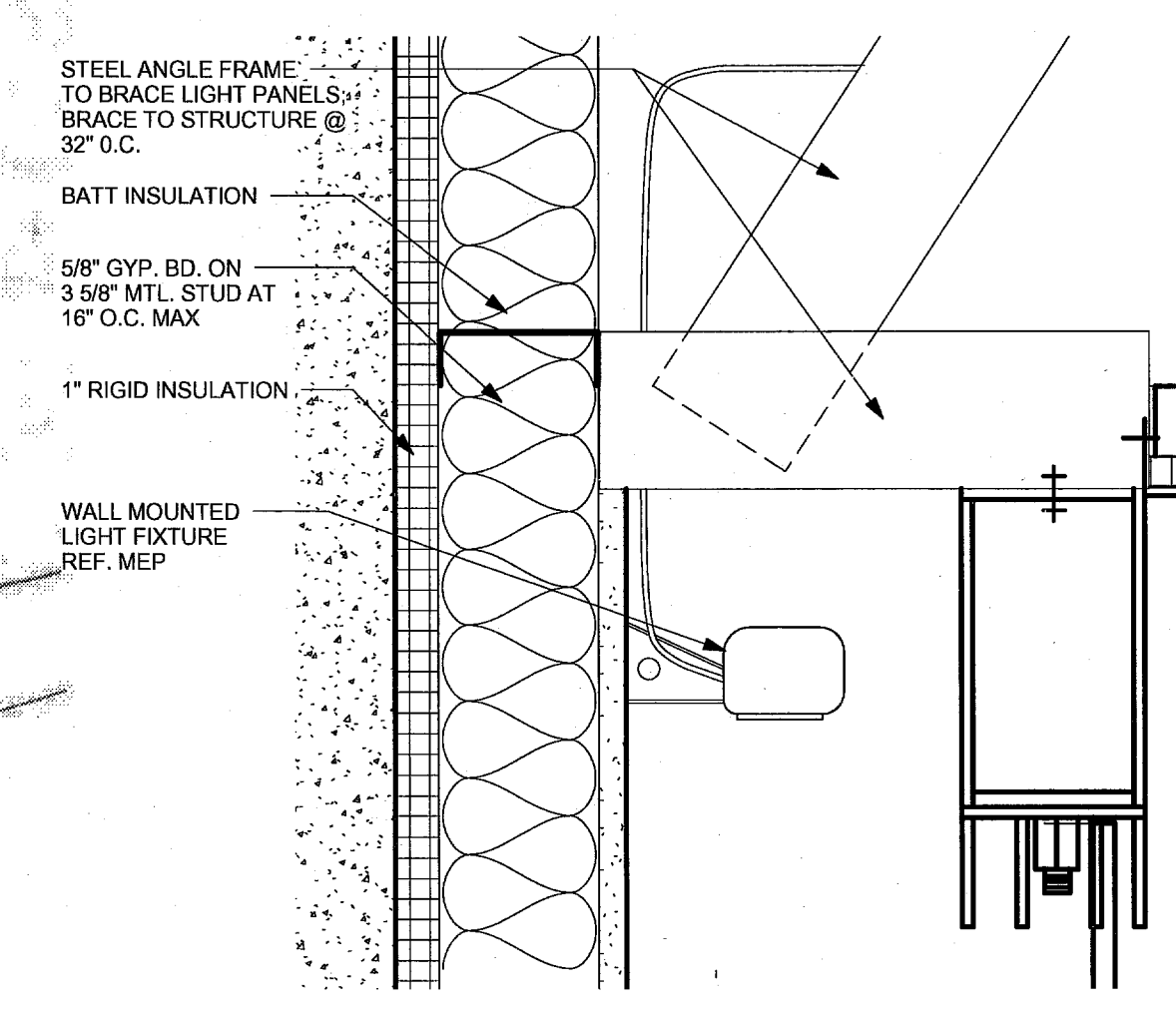
**8 Rotating Wall Head Detail**  
3" = 1'-0"



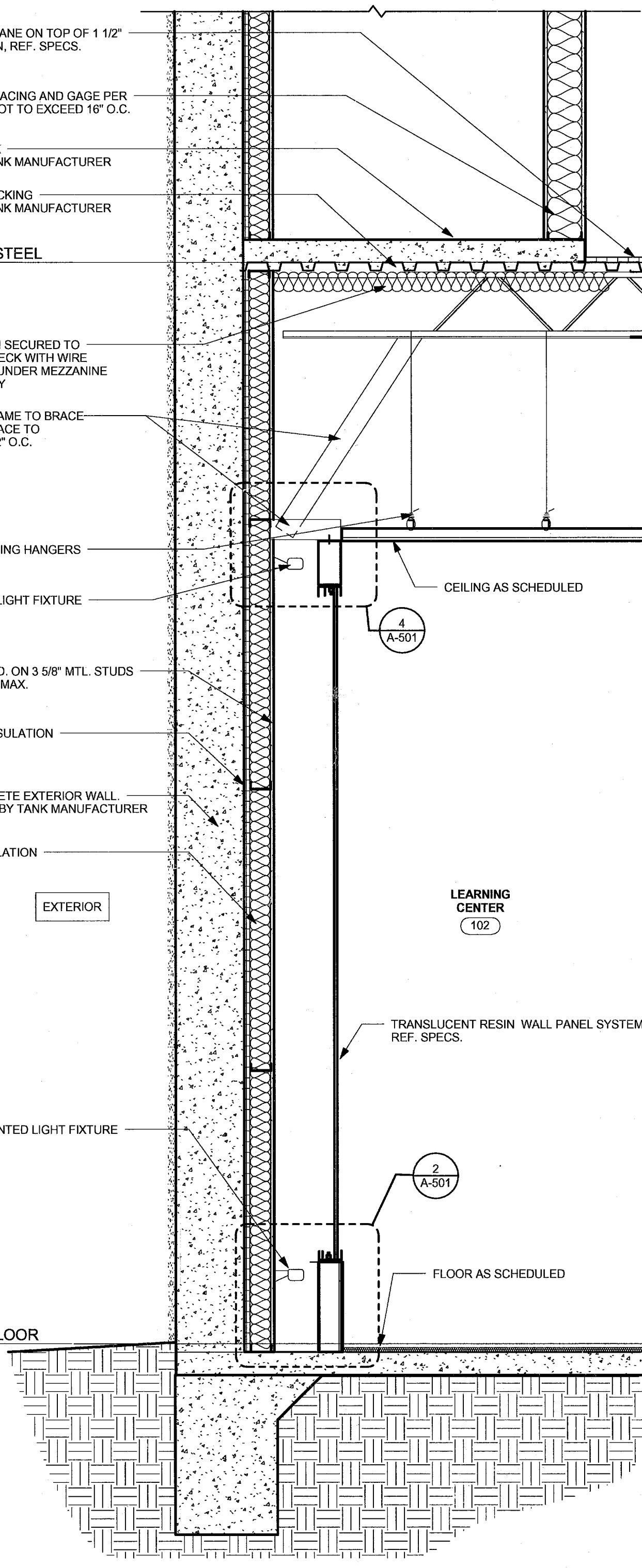
**2 Wall Section Detail - 2**  
3" = 1'-0"



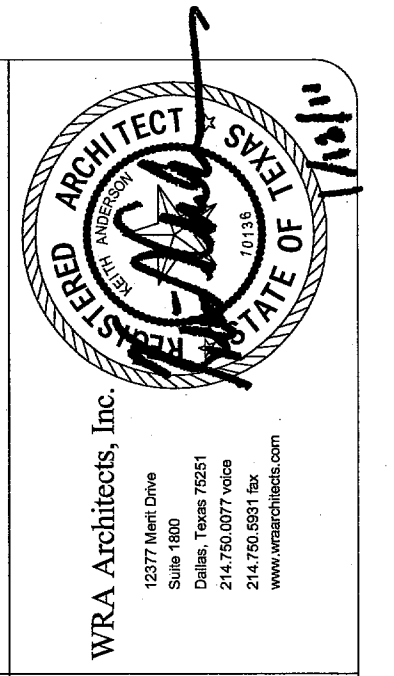
**3 Light Wall Perspective**  
12" = 1'-0"



**4 Wall Section Detail - 1**  
3" = 1'-0"



**5 Wall Section 1**  
3/4" = 1'-0"



WRA Architects, Inc.  
1527 Parkview  
Dallas, Texas 75251  
214.750.0077 voice  
www.wraarchitects.com

**FREESSE & NICHOLS**  
2220 San Jacinto Blvd., Suite 330  
Denton, Texas 76205  
Phone - (940) 387-4600  
Fax - (940) 387-4677  
Web - www.freesse.com

Town of Addison, Texas  
**SURVEYOR 1.5 MG EST**  
ARCHITECTURE  
**Wall Sections**

NO.	ISSUE	BY	DATE	FAN JOB NO.	ADD08489
				DATE	07/18/11
				DESIGNED	SNA
				DRAWN	SNA
				REVISED	
				CHECKED	
				FILE NAME	

VERIFY SCALE: Bar is one inch on original drawing. If not one inch on this sheet, adjust scale.

SHEET  
**A-501**