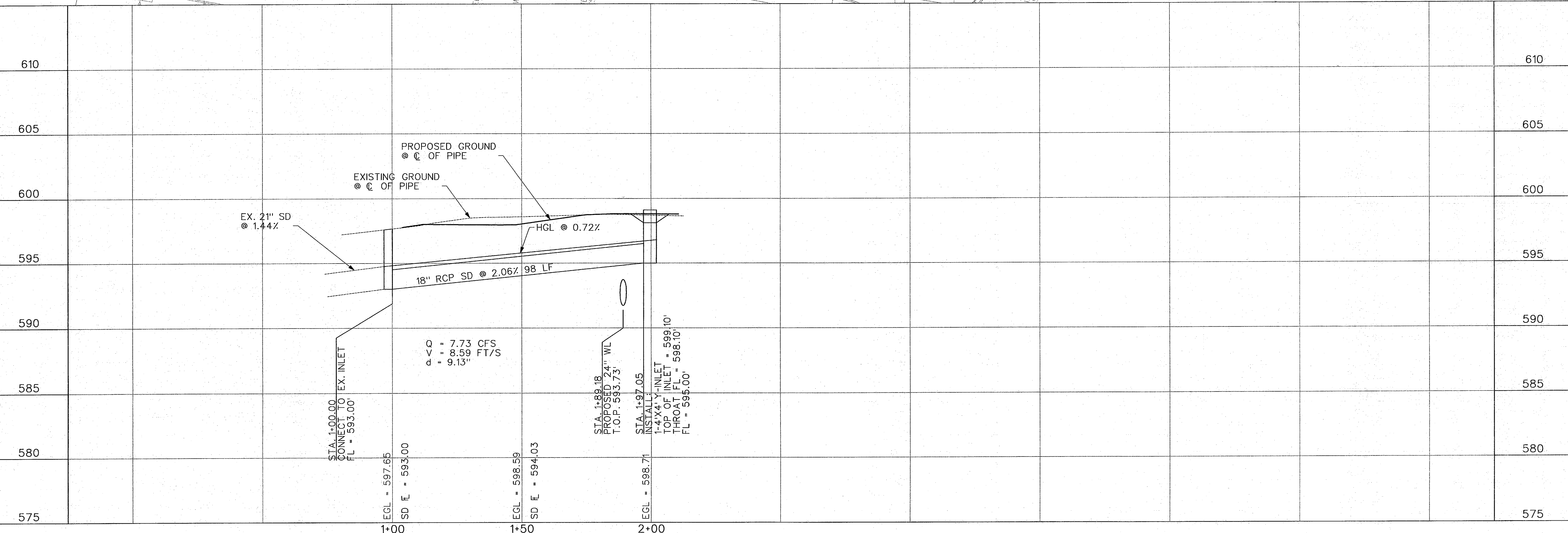
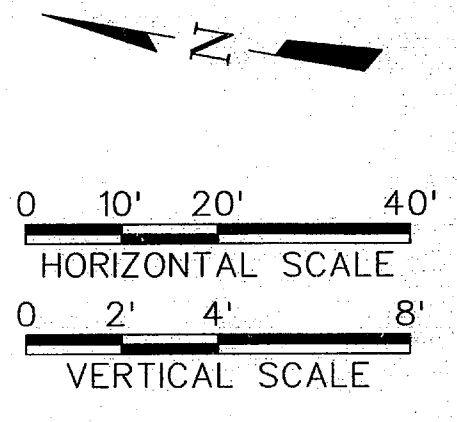
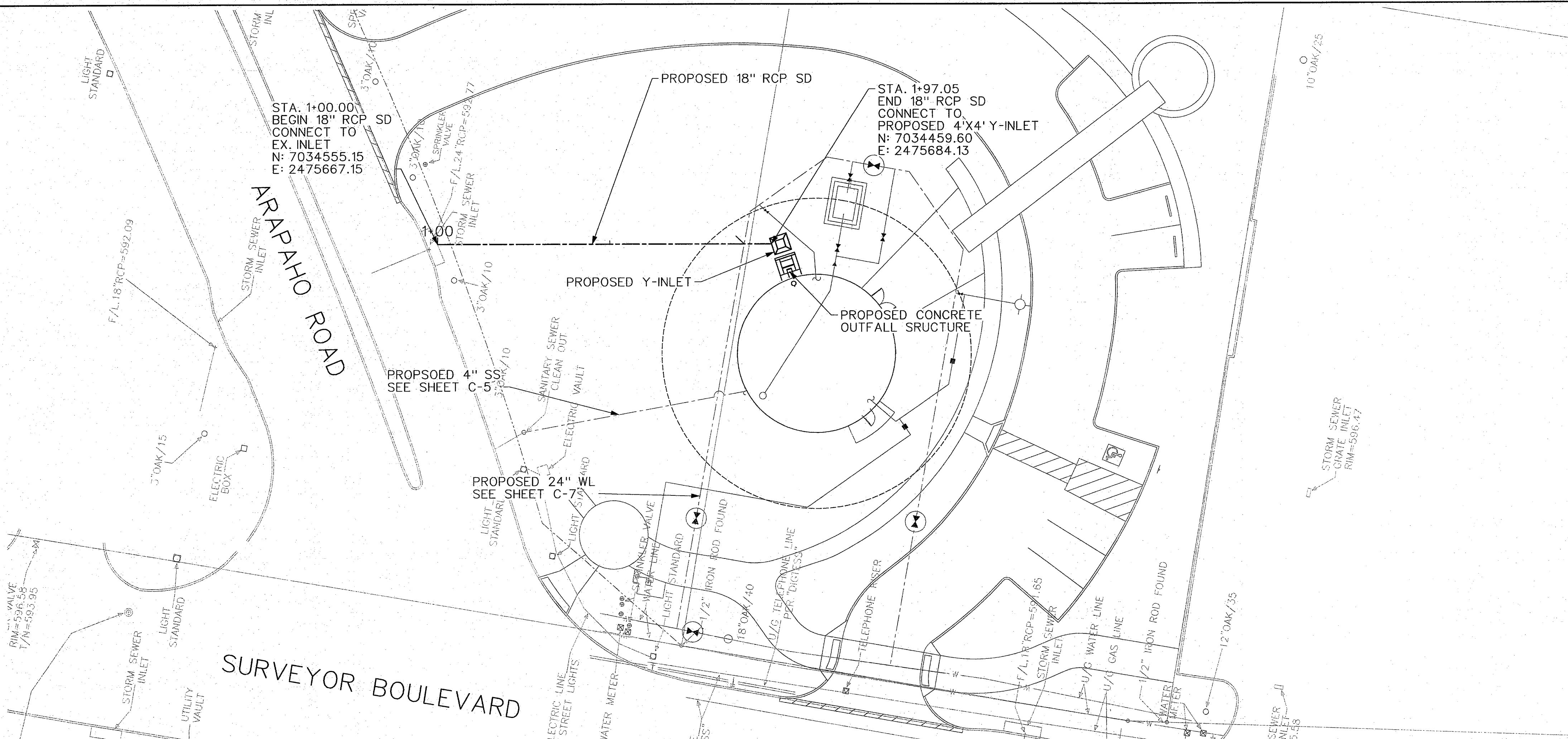


TOWN OF ADDISON, TEXAS
 SURVEYOR 1.5 MG EST
 CIVIL
 STORM DRAIN PLAN AND PROFILE
 STA. 1+00 TO STA. 1+97.05



MicroStation V8 User: ovr Office: Denton
 ADD08459 N:\Drawings\CV-EST-PP-SD01.SHT
 User: ovr Date: 01/20/2011 08:40:34 AM
 Plot Scale: 1/8" = 1'-0" File: N:\Drawings\CV-EST-PP-SD01.dwg
 Date: 01/20/2011 08:40:34 AM Project: Freeze and Nichols, Inc. Drawn: ovr
 cv-uti-pp-SD01.dgn
 cv-uti-pp-SD01.dgn
 cv-uti-pp-SD01.dgn
 cv-uti-pp-SD01.dgn
 cv-uti-pp-SD01.dgn
 cv-uti-pp-SD01.dgn

NO.	ISSUES	BY	DATE	F&N JOB NO.	FILE NAME
				ADD08459	CV-EST-PP-SD01.SHT

DATE	DESIGNED	DAT	DRAWN	REVISED	CHECKED	RGK
01/21/11						

VERIFY SCALE Bar is one inch on original drawing. If not one inch on this sheet, adjust scale.