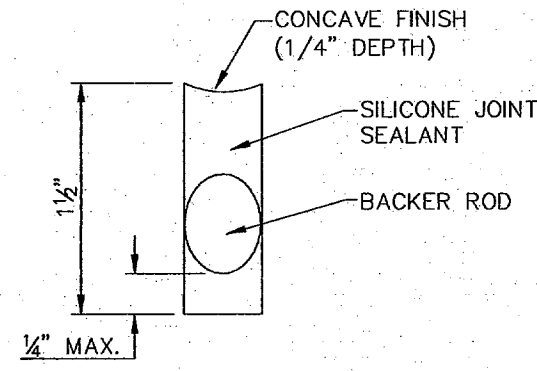


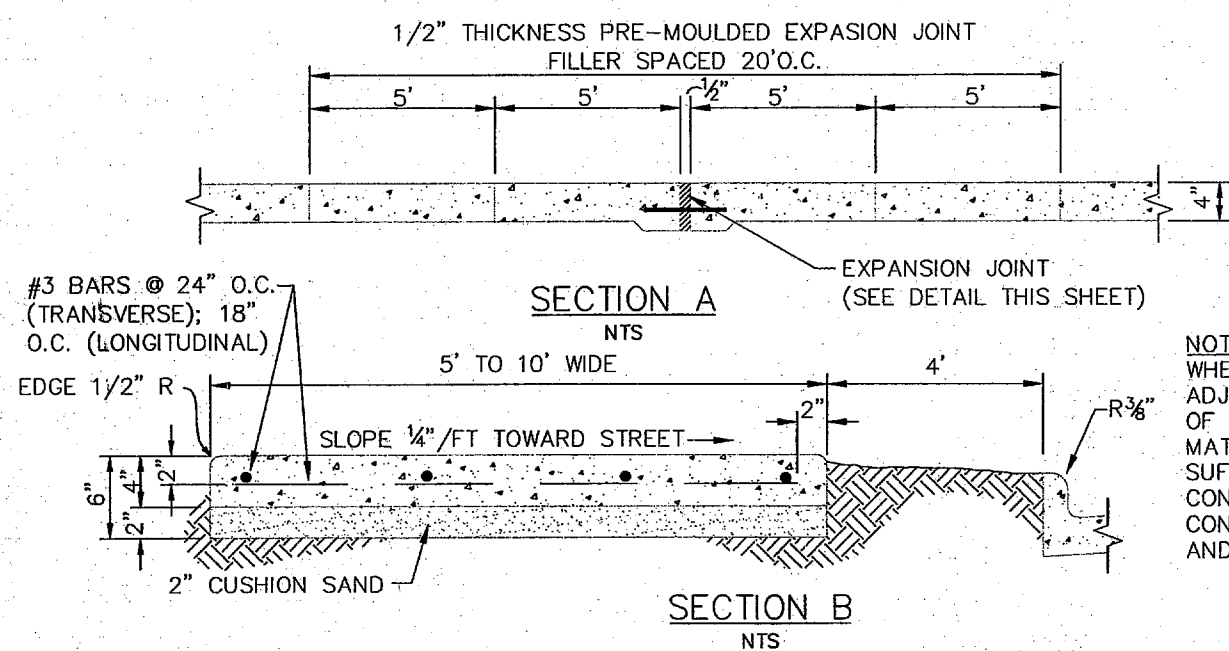
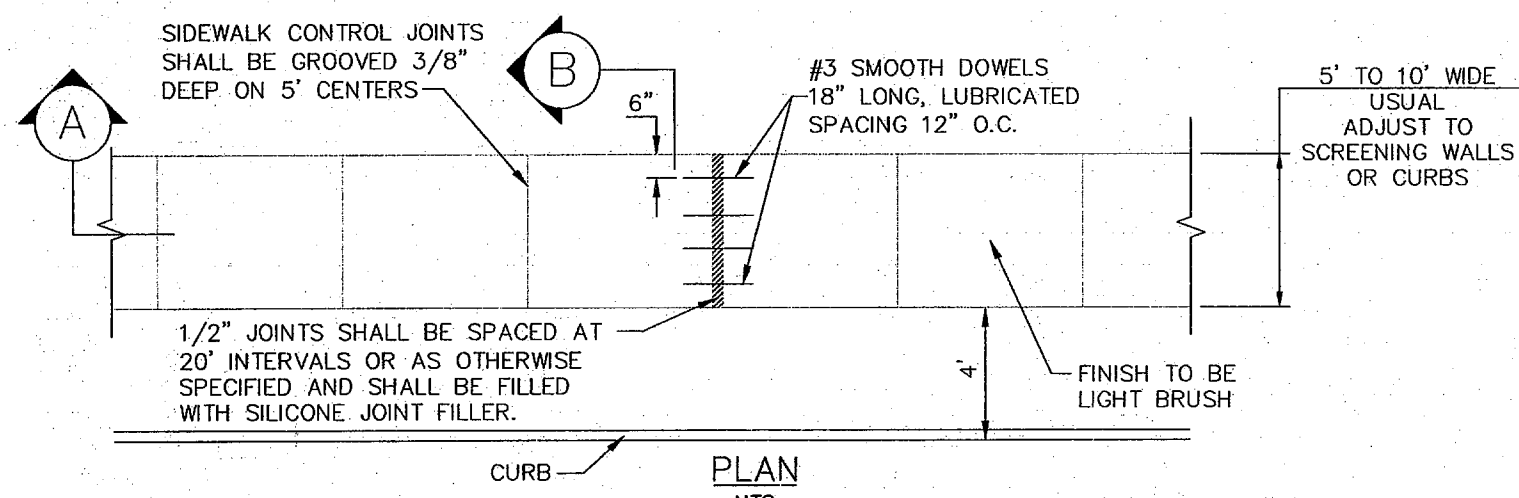
T=PAVEMENT THICKNESS

- NOTES:
1. DOWELS AND REINFORCING BARS SHALL BE SUPPORTED BY AN APPROVED DEVICE AND MUST BE TIED OR CHAIRED ON EACH SIDE. DOWELS MUST BE PERPENDICULAR TO FACE OF CONCRETE.
  2. NO. 5 SMOOTH DOWEL BARS MAY BE USED IN 6" PAVEMENT.
  3. TRANSVERSE EXPANSION JOINTS SHALL HAVE A MAXIMUM SPACING OF 600 FT.
  4. TRANSVERSE EXPANSION JOINTS SHALL BE LOCATED AT INTERSECTIONS.

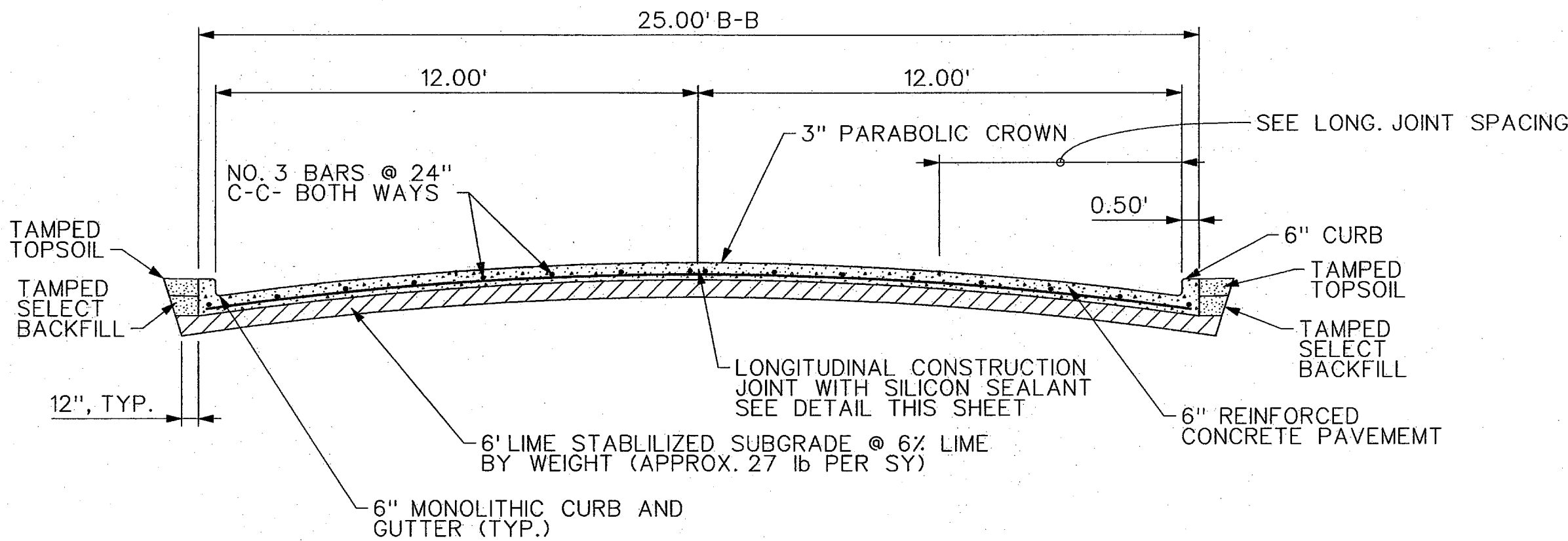


JOINT DETAIL NTS

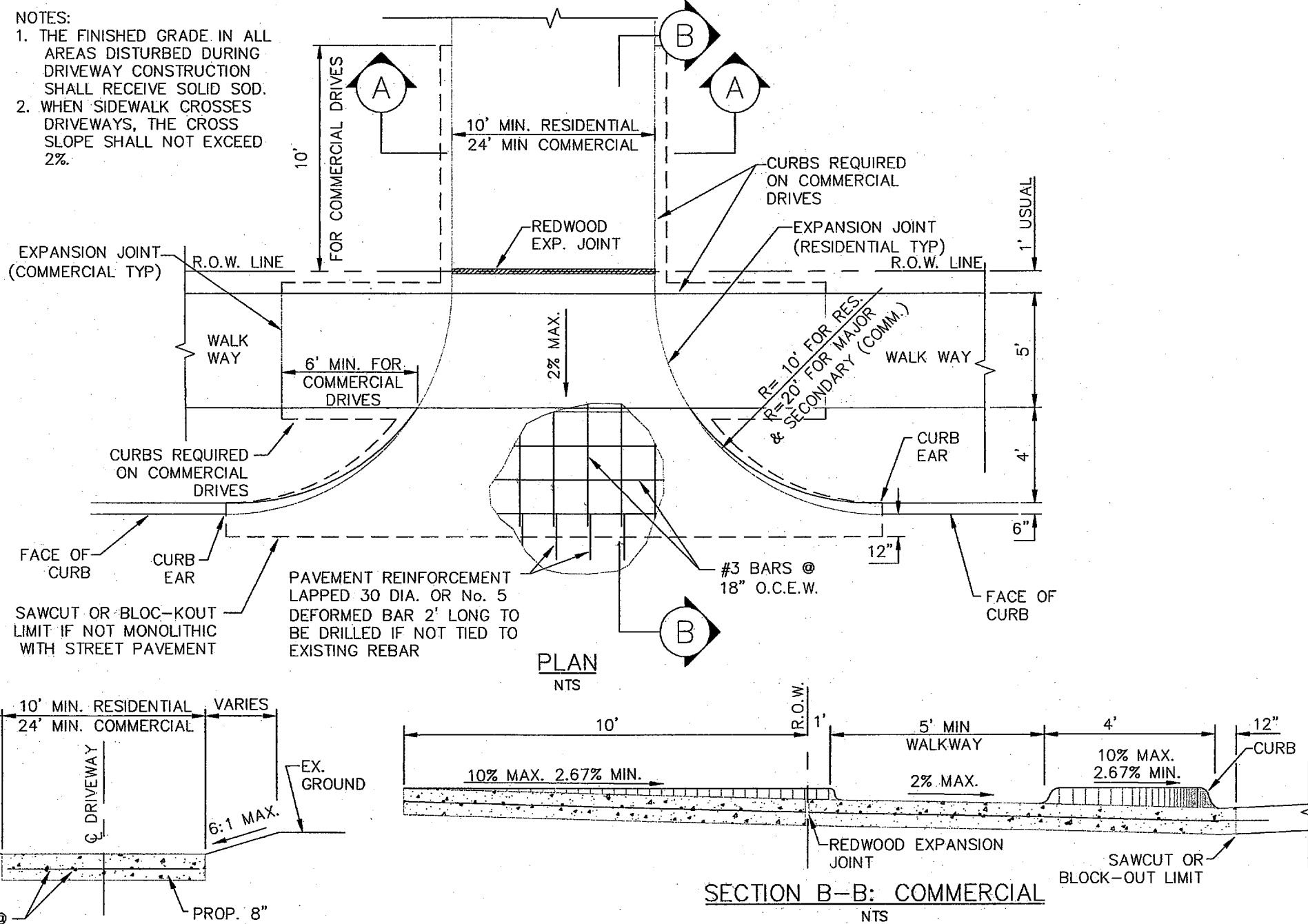
TRANSVERSE TITLE 2 EXPANSION JOINT



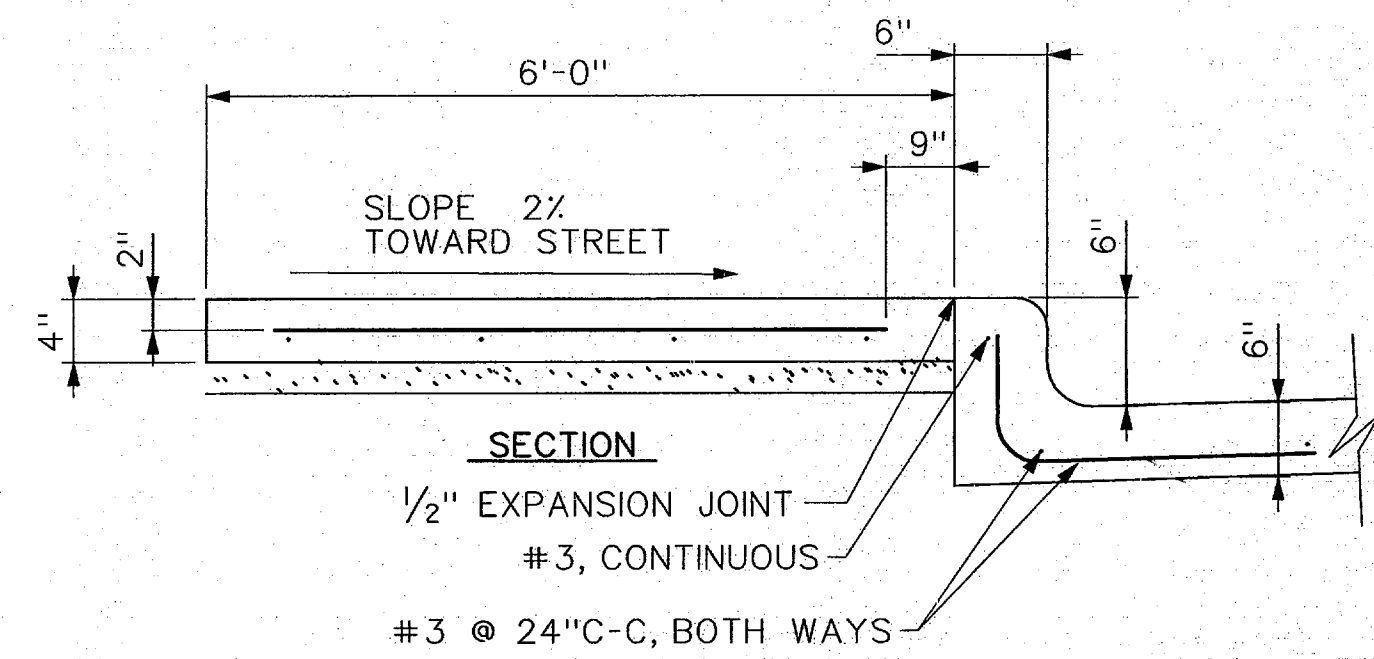
NOTE: WHEN CONCRETE WALK IS ADJACENT TO CURB, DEPTH OF EXPANSION JOINT MATERIAL SHALL BE SUFFICIENT TO PREVENT CONTACT BETWEEN WALK AND CURB.



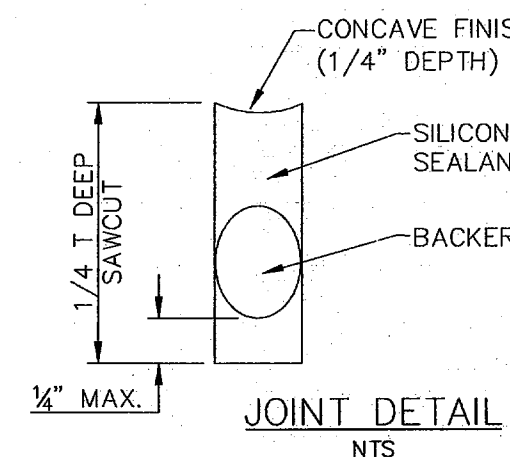
TYPICAL SECTION NOT TO SCALE



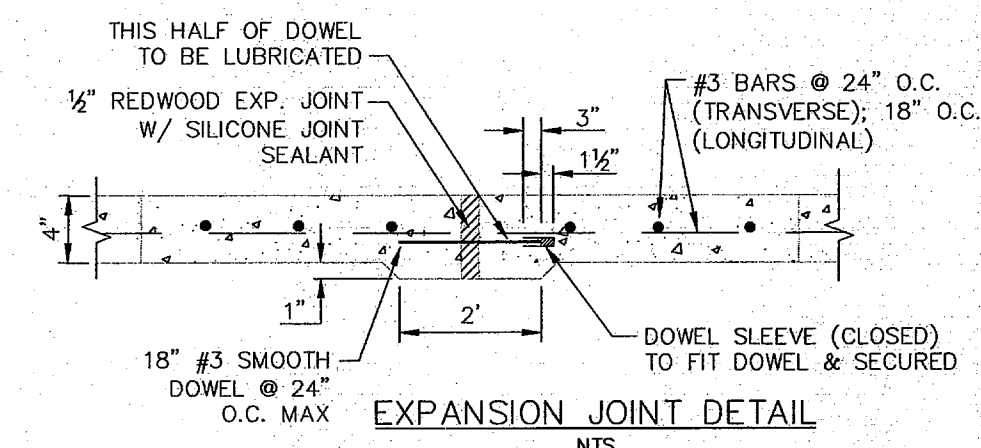
TYPICAL DRIVEWAY APPROACH NOT TO SCALE



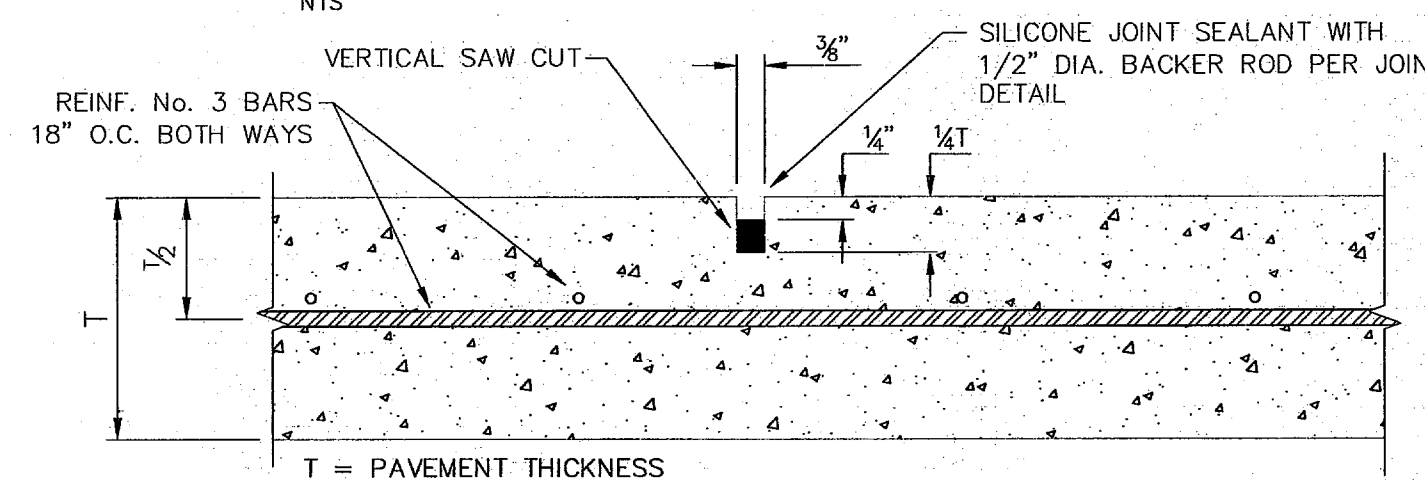
CONCRETE CURB & GUTTER NOT TO SCALE



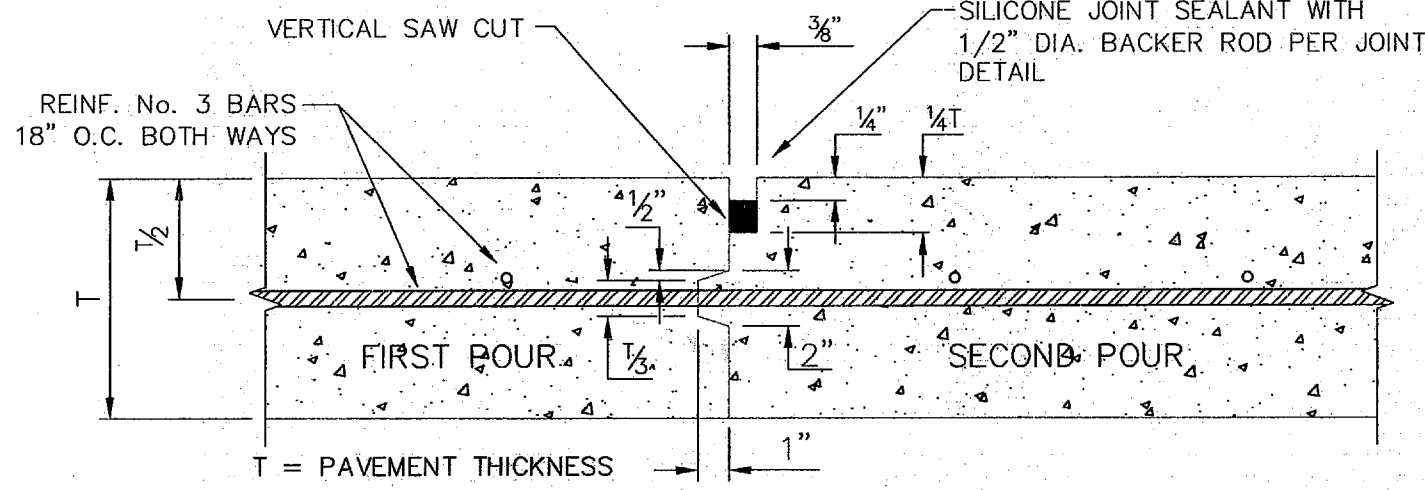
JOINT DETAIL NTS



EXPANSION JOINT DETAIL NTS



SAWED DUMMY JOINTS NTS

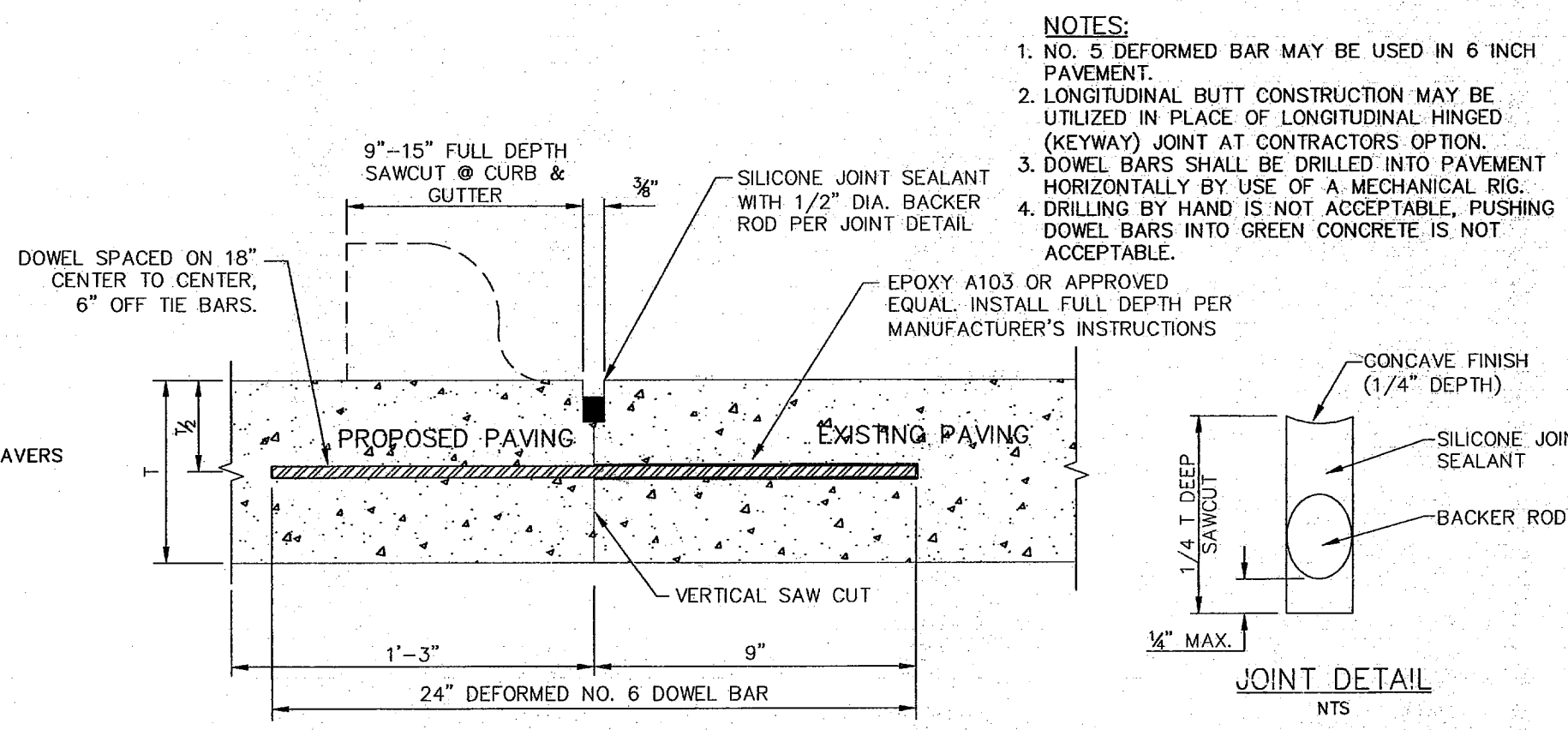


NOTE: CONTRACTOR SHALL PROTECT KEYWAY PRIOR TO SECOND POUR. IF LONGITUDINAL KEYWAY IS DAMAGED, CONTRACTOR SHALL REPAIR WITH THE USE OF LONGITUDINAL BUTT JOINT. DRILL AND GROUT DOWELS INTO FIRST POUR.

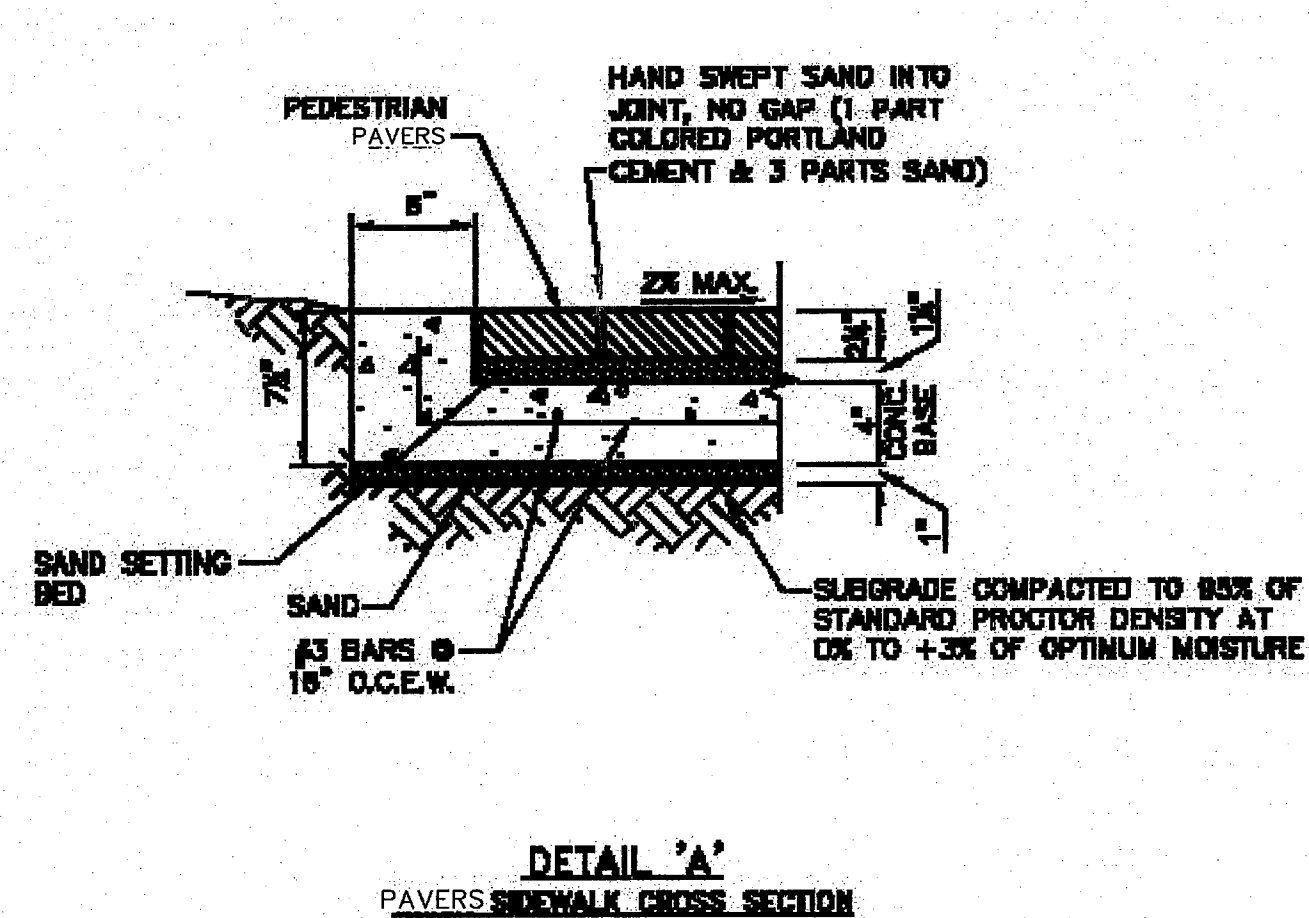
CONSTRUCTION JOINTS FOR PAVEMENT NTS

TRANSVERSE AND LONGITUDINAL JOINT SEALANT DETAILS

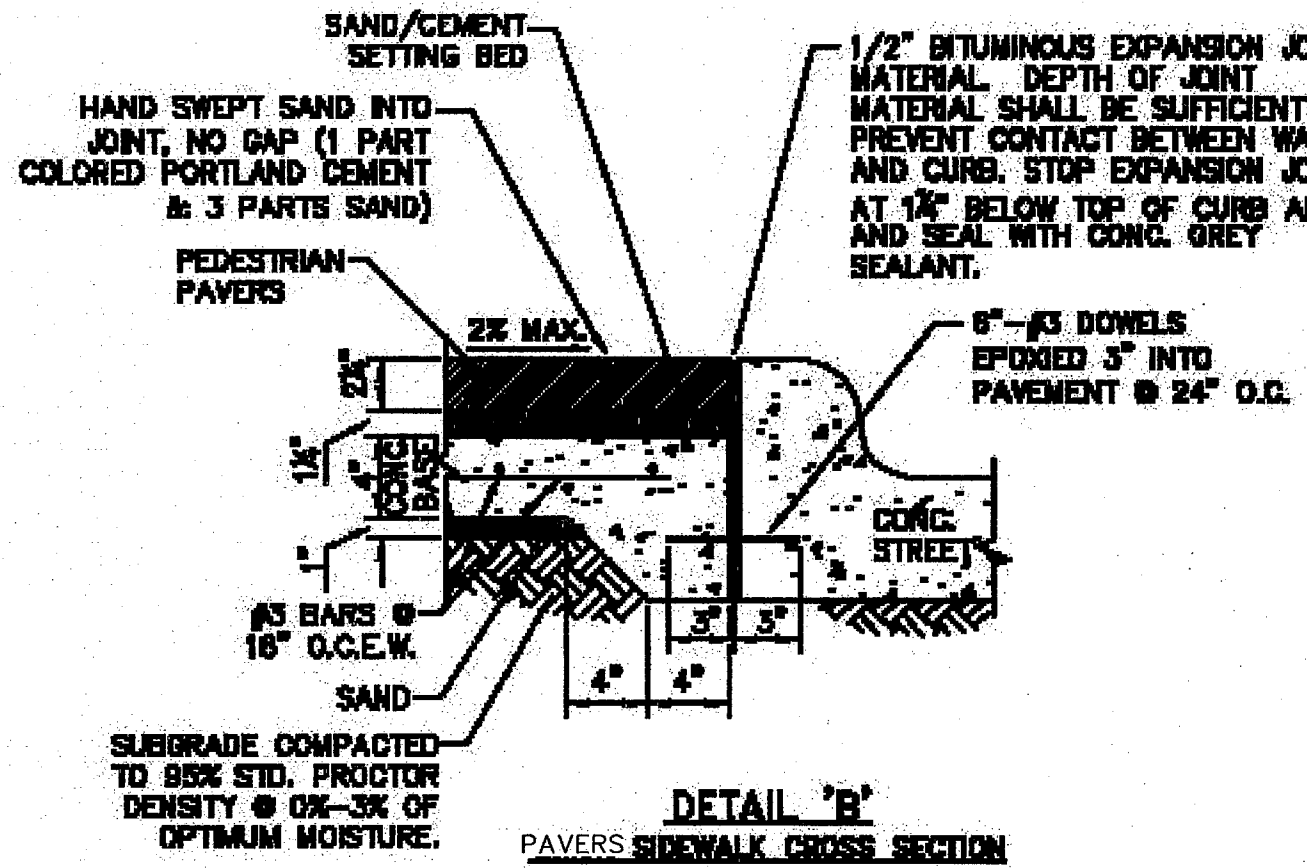
JOINT SEALANT DETAILS NOT TO SCALE



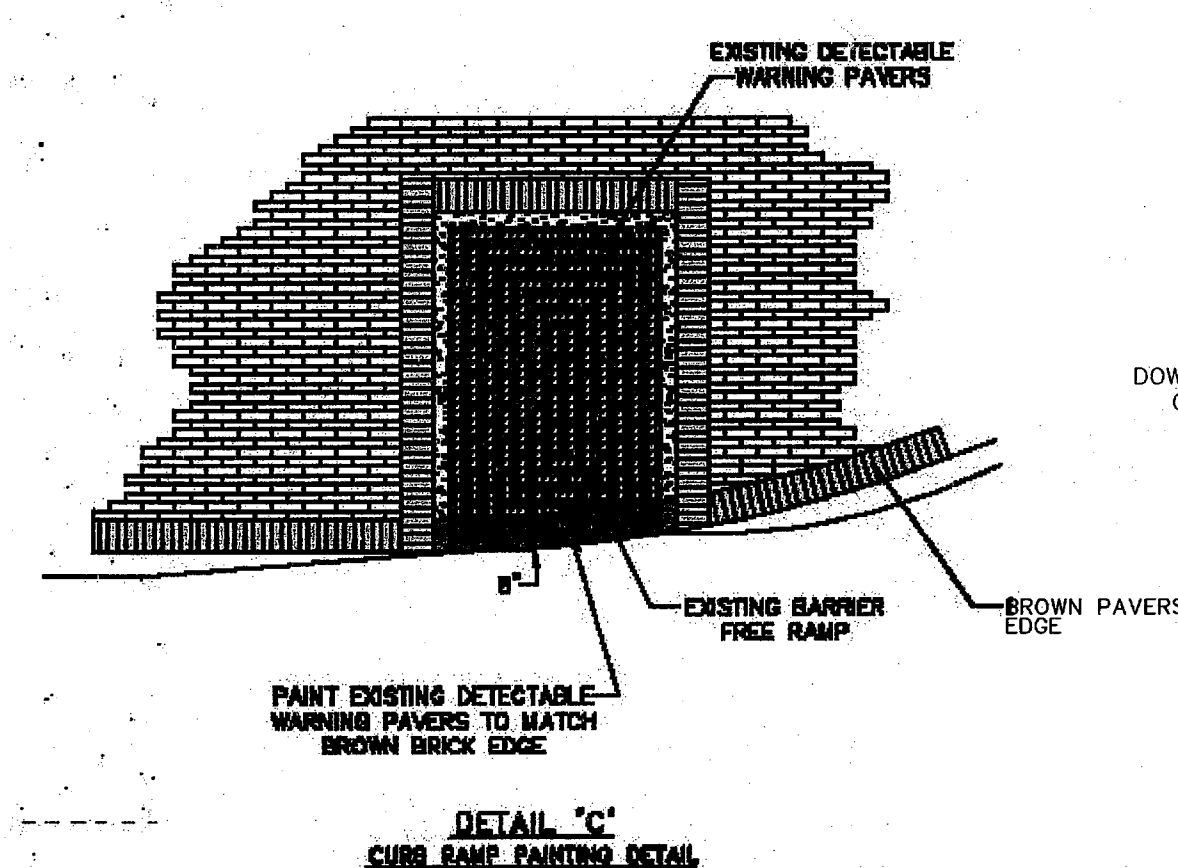
LONGITUDINAL BUTT JOINT NOT TO SCALE



DETAIL 'A' PAVERS SIDEWALK CROSS SECTION



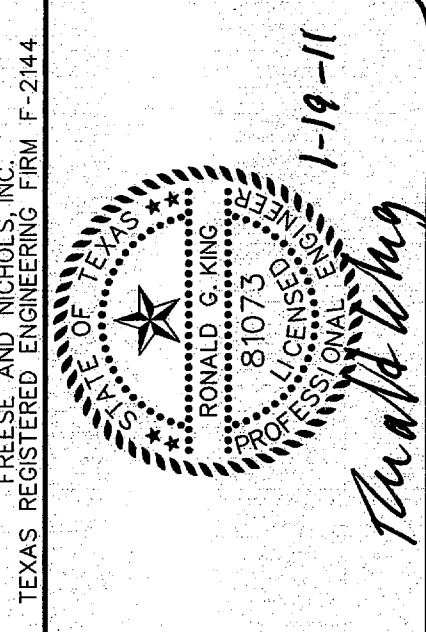
DETAIL 'B' PAVERS SIDEWALK CROSS SECTION



DETAIL 'C' CURB RAMP PAVING DETAIL

SIDEWALK DETAILS NOT TO SCALE

NOTE: PEDESTRIAN PAVERS SHALL BE PAVESTONE HOLLAND STONE. PROVIDE SAMPLES FOR TOWN COLOR SELECTION.



FRESE AND NICHOLS, INC. TEXAS REGISTERED ENGINEERING FIRM F-2144  
**FRESE NICHOLS**  
 2220 San Jacinto Blvd., Suite 330  
 Houston, TX 77002-4600  
 Phone: (847) 387-4600  
 Fax: (847) 387-4677  
 Web: www.frese.com

TOWN OF ADDISON, TEXAS  
 SURVEYOR 1.5 MG EST  
 CIVIL  
 PAVING DETAILS

NO. ISSUES	DATE	BY	DESIGNED	DRAWN	REVISION	CHECKED	DATE	FILE NAME
								CV-EST-DT-TYP08.SHT
SHEET								DT-08

MicroStation V8 User: amr Office: Denton  
 ADD08459 File: N:\Drawings\CV-EST-DT-TYP08.SHT  
 Plot Scale: 1/8" = 1'-0" Plot Date: 01/19/2011 09:41:40 PM  
 Project: Frese and Nichols, Inc.