

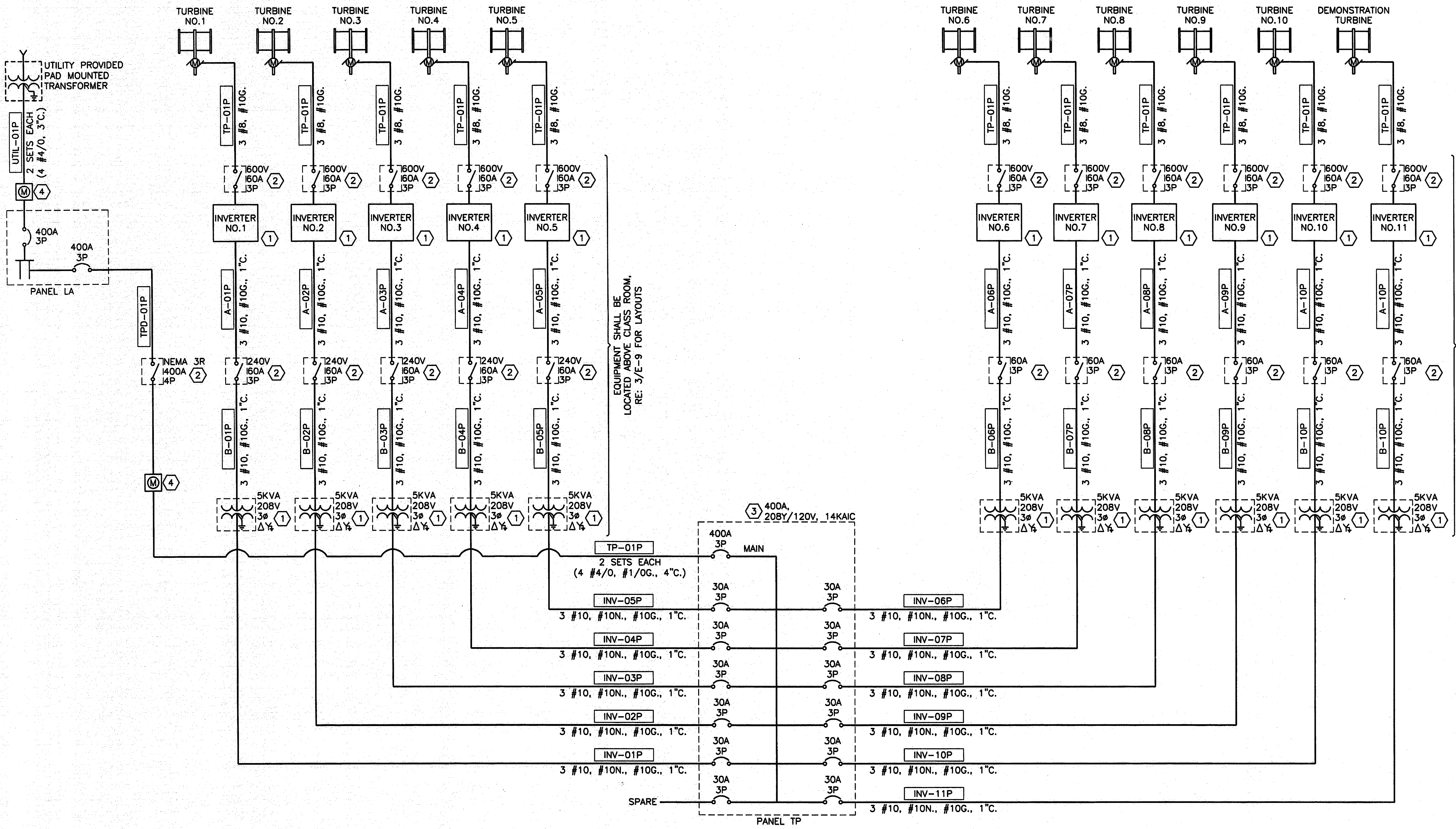
ACAD Ref: 18.0s (LWS Tech) User: jwm
 [ADD08459] [D:\NSRV2] N:\elec\EL-ADD-DG-ONEL.dwg LAYOUT: EL-ADD-DG-ONEL
 Jan 18, 2011 - 5:33pm PLOT: 1 TWIST: C:\LUL\FRESE.COM
 REFERENCES: N:\elec\Bases\JWM-STAMP.dwg N:\Standard\348ORDER.DWG 95784.dwg

GENERAL NOTES

- EQUIPMENT SHOWN ON THIS ONE-LINE IS BASED FROM A SINGLE EQUIPMENT SUPPLIER. IT IS THE CONTRACTOR'S RESPONSIBILITY TO VERIFY ALL EQUIPMENT MANUFACTURERS REQUIRE, RECOMMEND, AND PROVIDE. CONTRACTOR SHALL COORDINATE ALL REQUIRED LABOR AND SCOPE WITH EQUIPMENT SUPPLIER PRIOR TO BIDS.

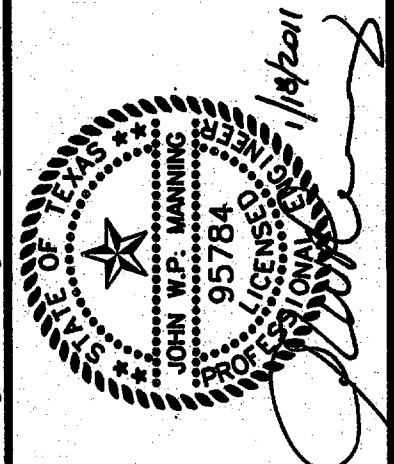
NOTES BY SYMBOL "⬡"

- CONTRACTOR SHALL PROVIDE AND INSTALL 5KVA, 240-208Y/120V, 3 PHASE TRANSFORMER. PROVIDE 316 STAINLESS STEEL MOUNTING HARDWARE REQUIRED.
- CONTRACTOR SHALL PROVIDE 400A DISCONNECT. LOCATE OUTSIDE TANK PEDESTAL AS DISCONNECTING MEANS FOR UTILITY COMPANY.
- CONTRACTOR SHALL PROVIDE 3Ø, 4W, 42 POLE, 208Y/120V, 22KAIC.
- CONTRACTOR SHALL COORDINATE REQUIRED METER BASE AND METER WITH UTILITY COMPANY.



ONE-LINE DIAGRAM
 NOT TO SCALE

Freese and Nichols, Inc.
 Texas Registered Engineering Firm E-2144



FRESE & NICHOLS
 2220 San Jacinto Blvd., Suite 330
 Denton, Texas 76205-7539
 Phone - (940) 387-4600
 Fax - (940) 387-4677

TOWN OF ADDISON, TEXAS
SURVEYOR 1.5 MG EST
 ELECTRICAL
ONE-LINE DIAGRAM

NO.	ISSUE	BY	DATE	FOR JOB NO.	ADD08459
				DATE	01/18/11
				DESIGNED	JWM
				DRAWN	JAF/JMC
				REVIEWED	
				CHECKED	JNH
				FILE NAME	EL-ADD-DG-ONEL.dwg

Bar is one inch on original drawing, if not one inch on this sheet, adjust scale.

VERIFY SCALE

SHEET **F-5**

SEQ.