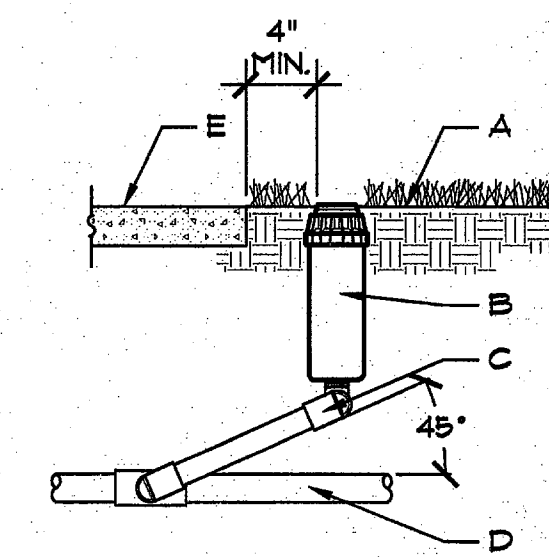


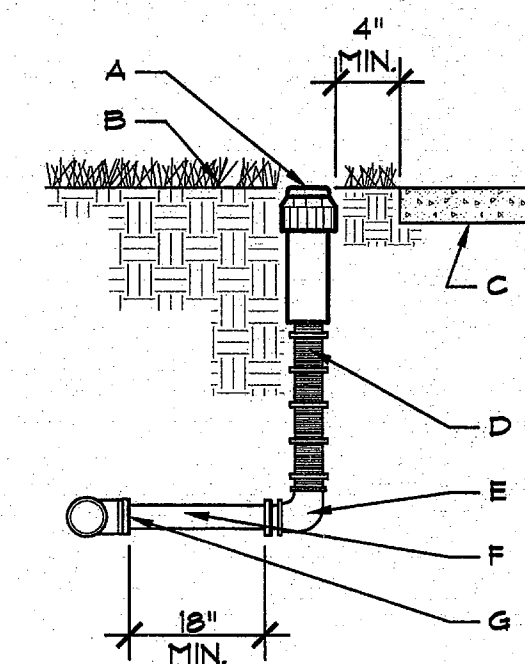
1 IRRIGATION SLEEVES
NOT TO SCALE

- GENERAL NOTES:**
- NO DIRECT CONNECTION TO SLEEVE SHALL BE ALLOWED. SLEEVE SIZE SHALL BE TWO (2) SIZES LARGER THAN THE PIPE TO BE SLEEVED.
 - MARK HARDSCAPE WITH SYMBOL "S" TO INDICATE THAT A SLEEVE IS BELOW.
 - INSTALL WIRING IN SEPARATE SLEEVE FROM LATERAL AND MAINLINE PIPING.
- CONSTRUCTION NOTES:**
- CONCRETE VALVE BOX. STUB UP SCH. 40 PVC SLEEVES AND CAP. PAINT TOP OF VALVE BOX "DAY GLOW ORANGE" FOR FUTURE REFERENCE.
 - SCH. 40 PVC IRRIGATION SLEEVE - SEE PLAN.
 - PVC MAINLINE, LATERAL OR WIRING - SEE PLAN.
 - PAVING.



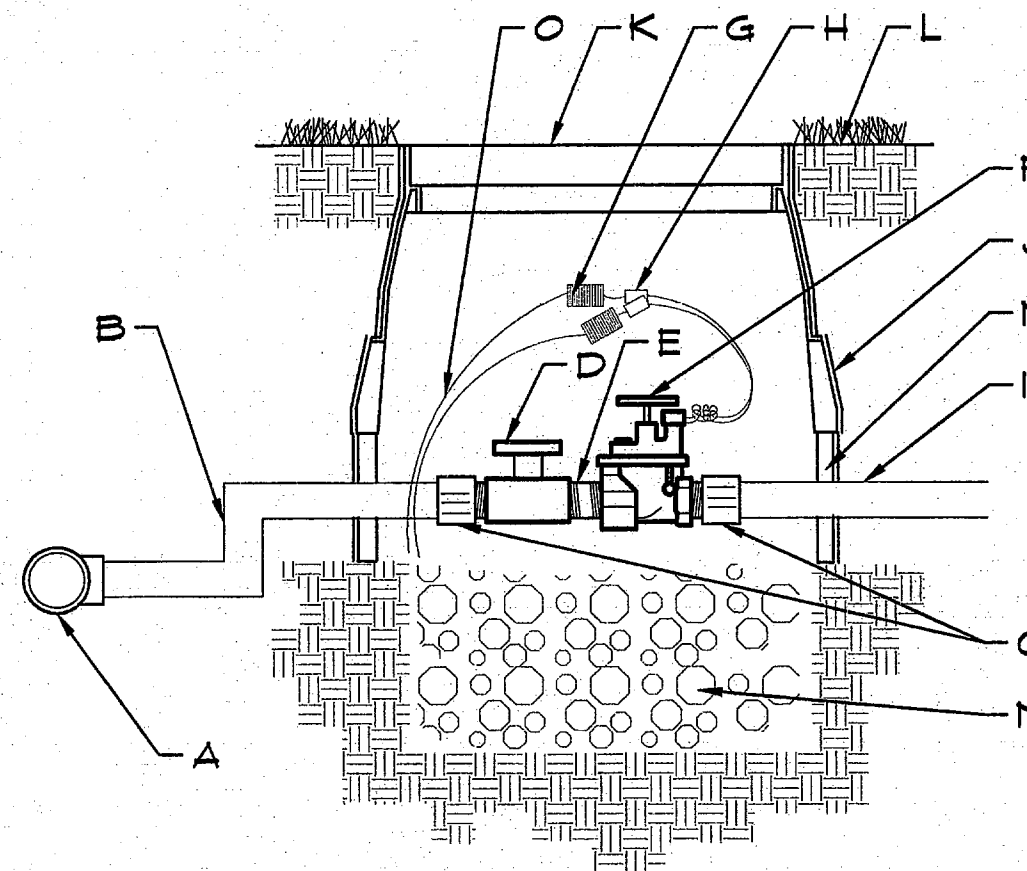
6 ROTARY SPRAY HEAD
NOT TO SCALE

- GENERAL NOTES:**
- SET TOP OF HEAD FLUSH WITH FINISH GRADE.
 - FLUSH PIPING PRIOR TO INSTALLING NOZZLE.
 - SET HEAD OFFSET OF LATERAL AND MAINLINE PIPING.
- CONSTRUCTION NOTES:**
- FINISH GRADE
 - ROTARY SPRAY HEAD
 - 3/4"x6" POLY NIPPLE
 - LATERAL PIPING
 - PAVING



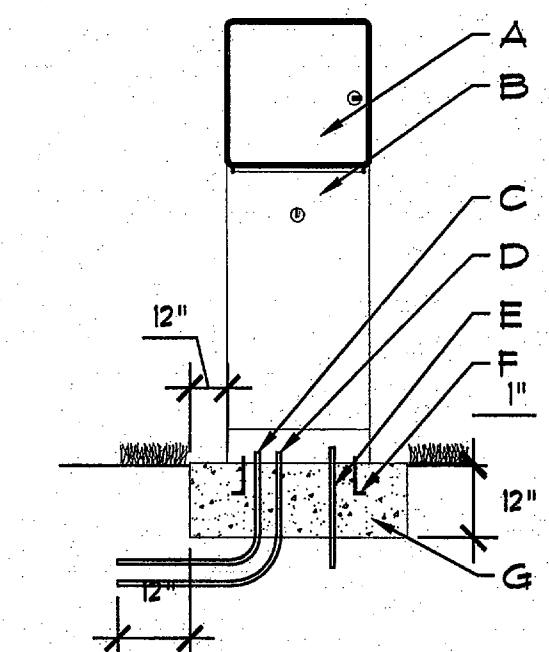
9 LAWN SPRAY HEAD
NOT TO SCALE

- GENERAL NOTES:**
- SET TOP OF HEAD FLUSH WITH FINISH GRADE.
- CONSTRUCTION NOTES:**
- SPRINKLER HEAD (SEE PLAN)
 - FINISH GRADE
 - PAVING
 - CUT OFF RISER
 - SCH. 40 PVC THREADED ELL. (9x7)
 - LATERAL PIPE
 - SCH. 40 PVC TEE.



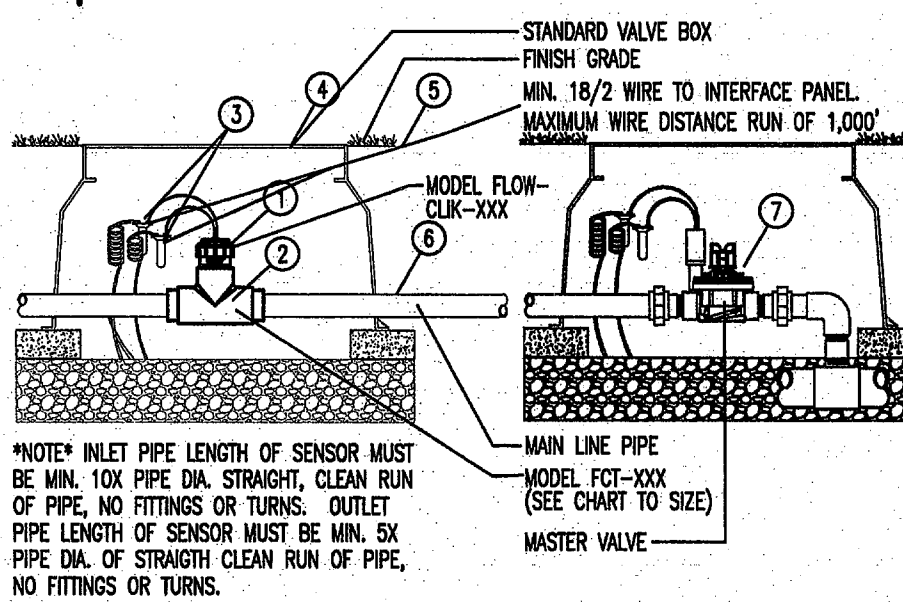
2 ELECTRIC VALVE
NOT TO SCALE

- GENERAL NOTES:**
- INSTALL FEA GRAVEL FLUSH WITH BOTTOM OF PIPE AND VALVE.
 - MAINLINE SHALL HAVE A MINIMUM OF 18" COVER AND LATERAL LINE SHALL HAVE A MINIMUM OF 12" COVER.
 - PROVIDE A 24" WIRE EXPANSION COIL AT EACH DRY SPlice WIRE CONNECTION.
 - CENTER VALVE ASSEMBLY IN VALVE BOX.
- CONSTRUCTION NOTES:**
- FVC SERVICE TEE
 - SCH. 40 90° BEND
 - SCH. 40 MALE ADAPTER
 - SCH. 40 BALL VALVE
 - GRAY SCH. 80 SHORT NIPPLE (TBE)
 - AUTOMATIC VALVE
 - WIRE COIL
 - WATERPROOF WIRE CONNECTORS
 - LATERAL PIPE
 - 10 ML BLACK PLASTIC ARMOR STANDARD RECTANGLE VALVE BOX WITH COVER AND PENTAGON LOCK. ROUT AND PAINT VALVE NUMBER ON TOP OF LID. SET 1/4" ABOVE FINISH GRADE.
 - FINISH GRADE
 - WASHED FEA GRAVEL - 6" DEPTH MIN
 - 6" VALVE BOX EXTENSIONS AS REQUIRED
 - VALVE WIRING



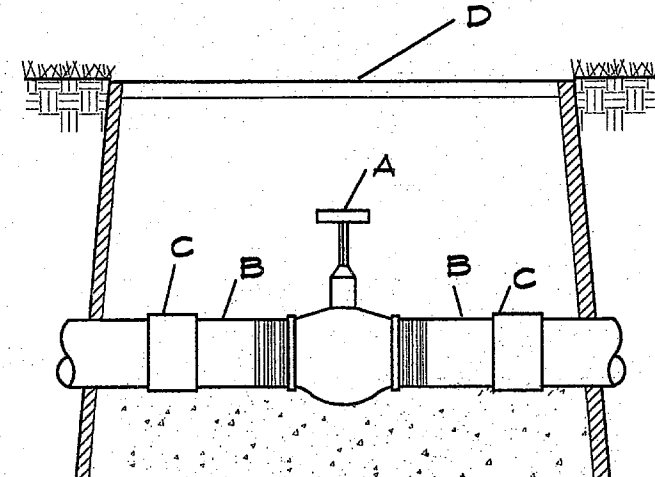
7 PEDESTAL MOUNTED CONTROLLER
NOT TO SCALE

- GENERAL NOTES:**
- INSTALL ELECTRICAL WIRING PER LOCAL CODES.
 - CONTRACTOR SHALL BE RESPONSIBLE FOR ALL ELECTRICAL WORK.
 - PROVIDE DRAINAGE AWAY FROM BASE OF PEDESTAL.
 - GROUND IRRIGATION BOXES WITH GROUNDING ROD PER N.E.C.
 - INSTALL WEATHER STATION TO NORTH SIDE OF CONTROLLER PEDESTAL W/ STAINLESS STEEL SCREWS.
- CONSTRUCTION NOTES:**
- CONTROLLER
 - PEDESTAL
 - ELECTRICAL SERVICE 4 PHONE LINE CONDUIT
 - REMOTE CONTROL VALVE WIRING CONDUIT
 - GROUNDING ROD(S) PER MANUFACTURER'S REQUIREMENTS
 - ANCHOR BOLTS
 - CONCRETE BASE, 3,000 PSI



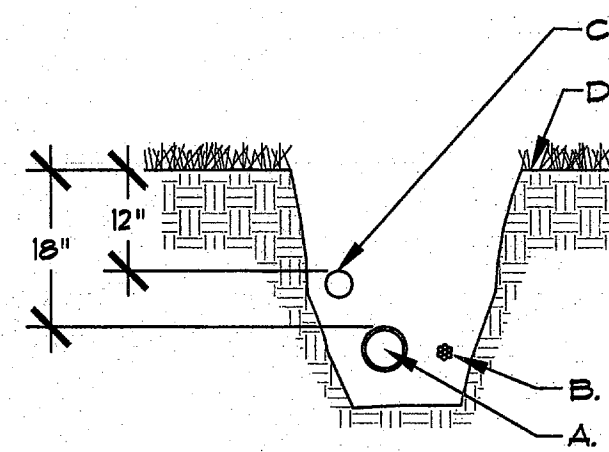
8 FLOW METER
NOT TO SCALE

- GENERAL NOTES:**
- REST PIPE FIRMLY ON TRENCH BOTTOM.
 - SNAKE PIPE FROM SIDE TO SIDE.
 - DO NOT STACK PIPE IN TRENCH. PROVIDE HORIZONTAL SEPARATION.
 - MAINTAIN 2" MINIMUM SEPARATION BETWEEN MAINLINE AND LATERAL LINE PIPING.
 - BUNDLE WIRE(S) AT 20 FT. INTERVALS.
- CONSTRUCTION NOTES:**
- MAINLINE PIPING - 18" MINIMUM COVER
 - WIRE BUNDLE - TAPE PER SPECIFICATIONS
 - LATERAL LINE PIPING - 12" MINIMUM COVER
 - FINISH GRADE



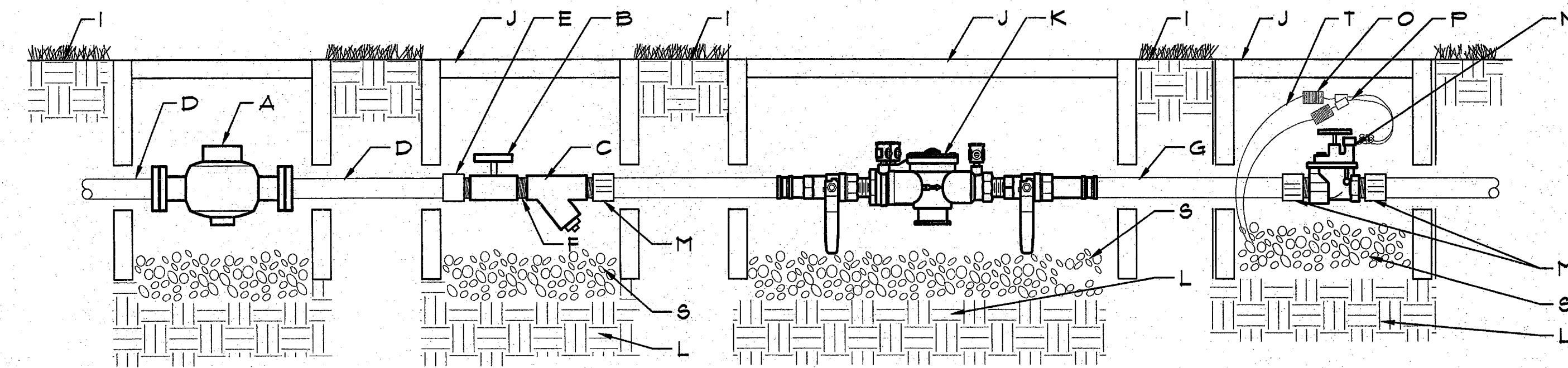
3 BALL VALVE
NOT TO SCALE

- CONSTRUCTION NOTES:**
- BALL VALVE
 - SCH. 80 TEE NIPPLE
 - COUPLING
 - 1x1x1 VALVE BOX



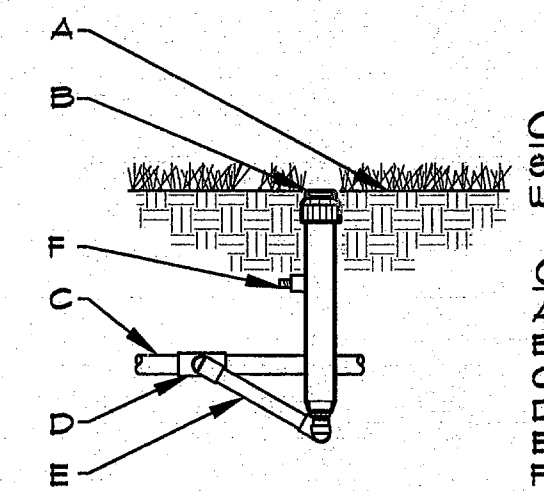
4 IRRIGATION TRENCH
NOT TO SCALE

- GENERAL NOTES:**
- REST PIPE FIRMLY ON TRENCH BOTTOM.
 - SNAKE PIPE FROM SIDE TO SIDE.
 - DO NOT STACK PIPE IN TRENCH. PROVIDE HORIZONTAL SEPARATION.
 - MAINTAIN 2" MINIMUM SEPARATION BETWEEN MAINLINE AND LATERAL LINE PIPING.
 - BUNDLE WIRE(S) AT 20 FT. INTERVALS.
- CONSTRUCTION NOTES:**
- MAINLINE PIPING - 18" MINIMUM COVER
 - WIRE BUNDLE - TAPE PER SPECIFICATIONS
 - LATERAL LINE PIPING - 12" MINIMUM COVER
 - FINISH GRADE



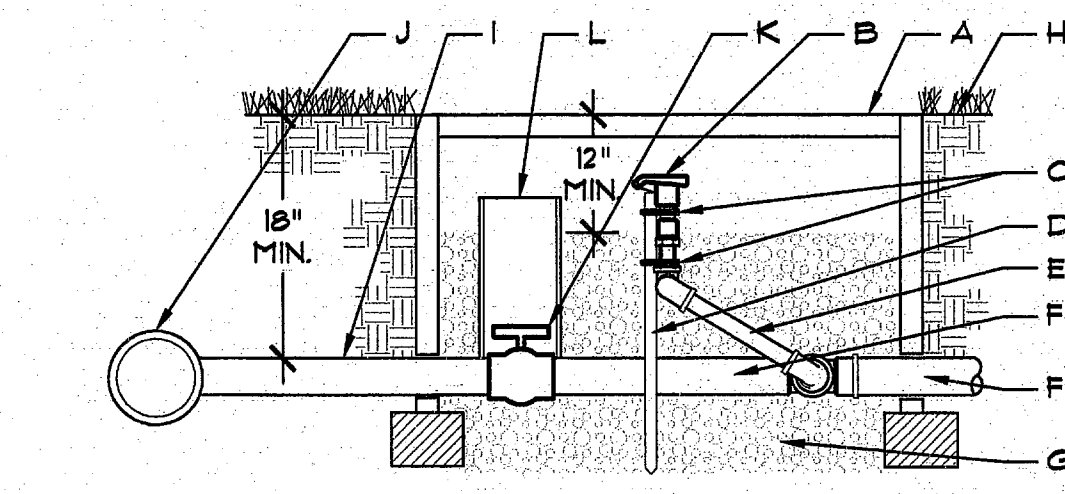
5 BACKFLOW PREVENTER CONNECTION
NOT TO SCALE

- GENERAL NOTES:**
- INSTALL WASHED FEA GRAVEL BELOW DCA TO ALLOW ACCESS TO TEST COOKS AND OPERATION OF BALL VALVES.
 - INSTALL FEA GRAVEL FLUSH WITH ELECTRIC VALVE.
 - PROVIDE A 24" WIRE EXPANSION COIL AT EACH DRY SPlice WIRE CONNECTION.
 - CENTER VALVE ASSEMBLY IN VALVE BOX.
- CONSTRUCTION NOTES:**
- WATER METER (SIZE PER PLAN)
 - BALL VALVE (SIZE PER LINE)
 - WYE STRAINER (SIZE PER LINE)
 - TYPE "K" COPPER PIPE
 - COPPER 6xT COUPLING
 - TBE NIPPLE
 - PIPE PER CITY CODE
 - COUPLING
 - FINISH GRADE
 - 12"x17" VALVE BOX. SET 1/4" ABOVE FINISH GRADE
 - DOUBLE CHECK VALVE ASSEMBLY
 - COMPACTED SUBGRADE
 - MALE ADAPTER
 - MASTER ELECTRIC VALVE
 - WIRE COIL
 - WATERPROOF WIRE CONNECTORS
 - NOT SHOWN ON DETAIL
 - STANDARD RECTANGLE VALVE BOX. SET 1/4" ABOVE FINISH GRADE.
 - WASHED FEA GRAVEL - 6" DEPTH MIN
 - VALVE WIRING



10 LAWN SPRAY HEAD
NOT TO SCALE

- GENERAL NOTES:**
- SET TOP OF HEAD FLUSH WITH FINISH GRADE.
- CONSTRUCTION NOTES:**
- FINISH GRADE
 - SPRINKLER HEAD (SEE PLAN)
 - LATERAL PIPE
 - SCH. 40 PVC TEE
 - FUNNY PIPE IS APPLICABLE
 - PLUG

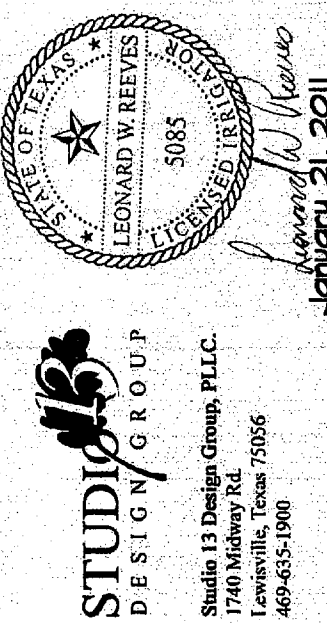


11 QUICK COUPLING VALVE
NOT TO SCALE

- GENERAL NOTE:**
- INSTALL 8" X 8" X 16" CMU AROUND THE BASE OF EACH VALVE BOX.
 - INSTALL 1" DIA. WASHED AGGREGATE FLUSH WITH BOTTOM OF QUICK COUPLER VALVE.
- CONSTRUCTION NOTES:**
- ND6 PRO SERIES VALVE BOX WITH OVERLAPPING COVER, ROUT AND PAINT VALVE NUMBER ON TOP OF LID. INSTALL FLUSH TO FINISHED GRADE.
 - QUICK COUPLING VALVE
 - TWO (2) STAINLESS STEEL WORM GEAR CLAMPS
 - 1" DIA. GALVANIZED STEEL PIPE, EXTEND 12" IN. INTO UNDISTURBED SOIL
 - PREASSEMBLED UTILIZED O'-RING SWING JOINT ASSEMBLY
 - MAINLINE PIPING
 - WASHED AGGREGATE 12" DEEP MIN.
 - FINISH GRADE
 - MAIN-OFF SET LINE, SIZE PER QUICK COUPLER VALVE.
 - MAINLINE, SIZE PER TOTAL SITE.
 - BALL VALVE, SIZE PER QUICK COUPLER.
 - 4 IN DIA. SLEEVE

IRRIGATION NOTES:

- Provide a complete, functioning automatic irrigation system including labor, materials, fees, taxes, equipment, and other costs incidental to accomplishing work.
- Acquire written approval from Landscapes Architect or Licensed Irrigator for material substitutes prior to commencing the installation.
- Locate existing underground utilities or obstacles prior to commencing installation. Repair damage to utilities or finishes resulting from work at no additional expense to Owner.
- Piping is diagrammatic and shown for clarity only. Adjust as required for existing utilities, obstructions, tree root balls, etc.
- Install work in accordance with applicable local codes and ordinances.
- Coordinate sleeve and conduit requirements with General Contractor.
- Locate each end of irrigation sleeves dimensionally on the Record "As Built" Drawings.
- Irrigation Contractor shall be responsible for damage to plant material due to system failure from inferior workmanship during the installation of plants and maintenance period.
- Extend one extra control wire to farthest valve, routed parallel to common ground wire with installation of lead and common wires.
- Control wires shall be direct burial, 600 volt, single conductor, solid copper, plastic insulated cable, rated for direct burial applications, UF, UL, approved, 14 gauge minimum lead and common ground return wires unless notes otherwise. Color of insulation as follows:
 - Lead Wires: any color (same color), except white or orange
 - Common Ground Wires: white (color)
 - Extra Control Wires: orange (color)
- All FVC pressure main line and lateral lines shall receive as follows:
 - 18" minimum cover for main lines
 - 12" minimum cover for lateral lines
- Makes final electrical connection of controller per local electrical code. Provide all necessary fuse boxes, conduit, fittings, connectors or other electrical devices to make connection. Owner shall provide electrical service within 10 linear feet of controller location unless noted otherwise on drawings.
- Connect remote sensors to controller with ground wire in series prior to connecting to remote control valves.
- Owner or Landscapes Architect shall determine final controller location.
- All PVC pipe and fittings are to be primed with purple PVC primer solvent before applying PVC cement in accordance with the Uniform Plumbing Code.



STUDIO 13 DESIGN GROUP
2220 Sun. Meadows Blvd., Suite 330
The Woodlands, Texas 77380
Phone - (840) 357-4600
Fax - (840) 357-4677

TOWN OF ADDISON, TEXAS
SURVEYOR 1.5 MG EST.
IRRIGATION DETAILS

NO.	ISSUE	REVISED PER TOWN OF ADDISON COMMENTS	DATE	BY	DATE	DESIGNED	DRAWN	REVISIONS	CHECKED	FILE NAME
1	REVISED PER TOWN OF ADDISON COMMENTS		1-10-11	CJ	01/21/11					Bar is one inch on original drawing if not one inch on this sheet, adjust scale.

NO. 10008459
DATE 01/21/11
DESIGNED LWR
DRAWN LWR
REVISIONS LWR
CHECKED LWR
FILE NAME FN1002-IR.dwg