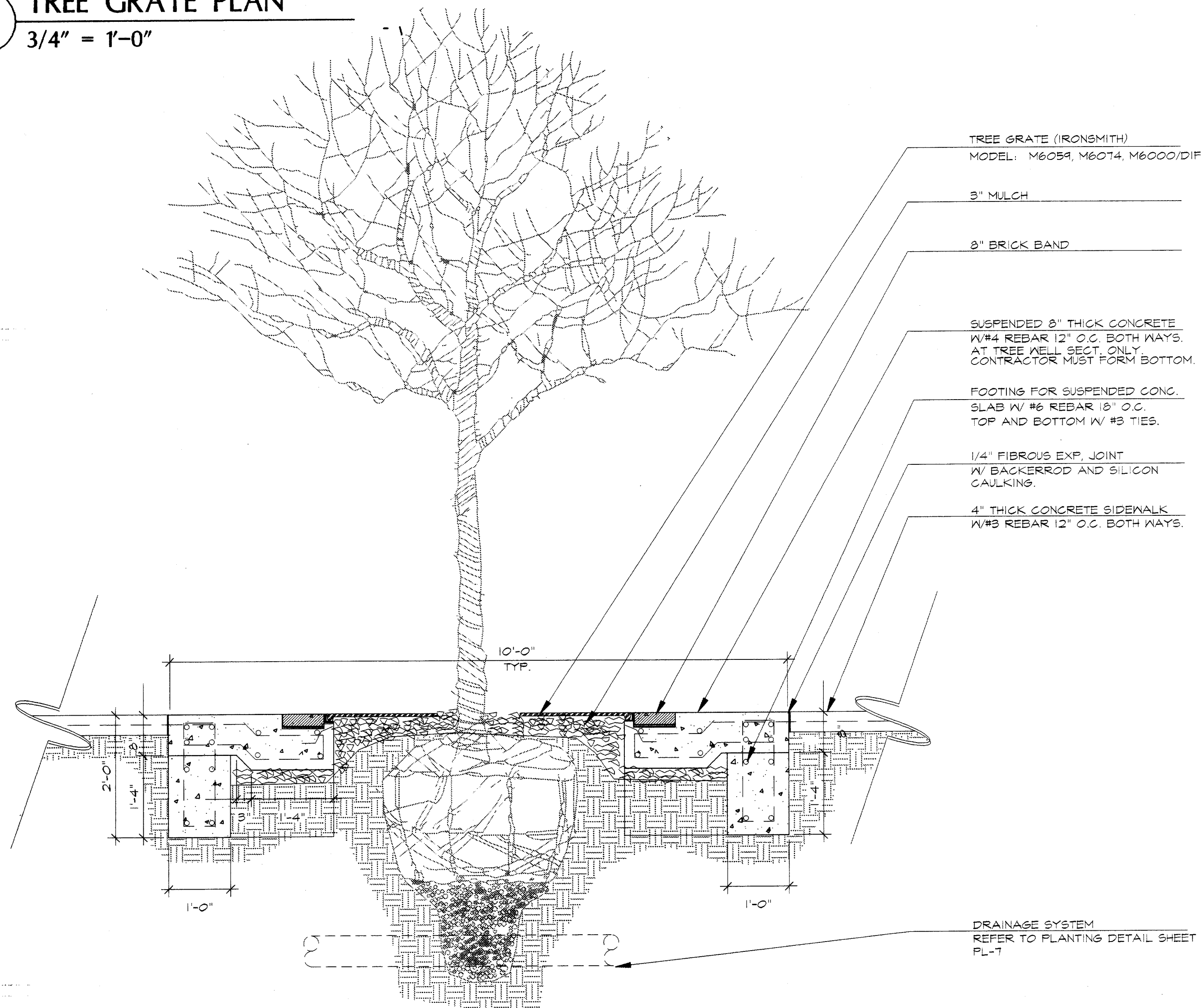
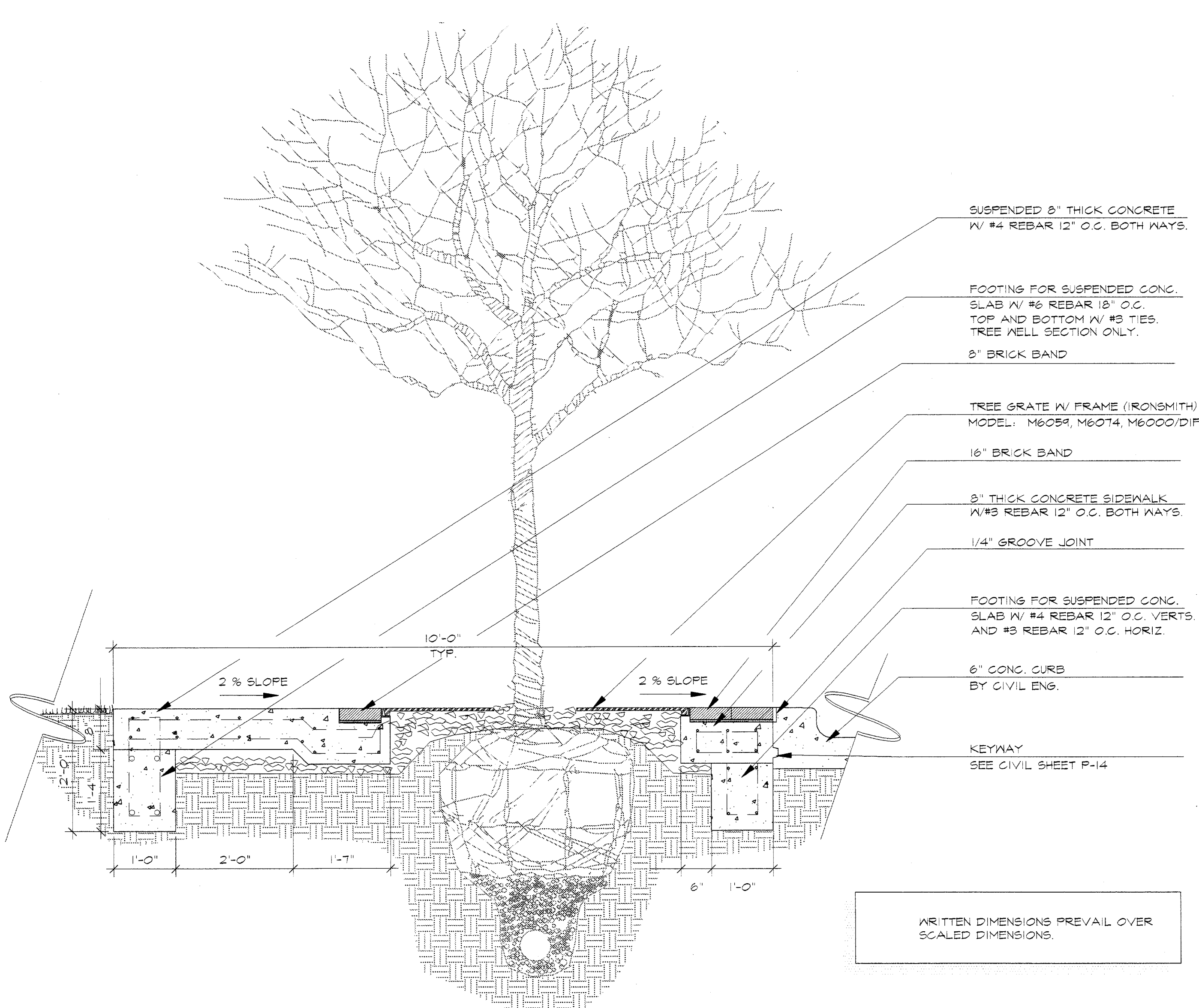


A TREE GRATE PLAN
3/4" = 1'-0"



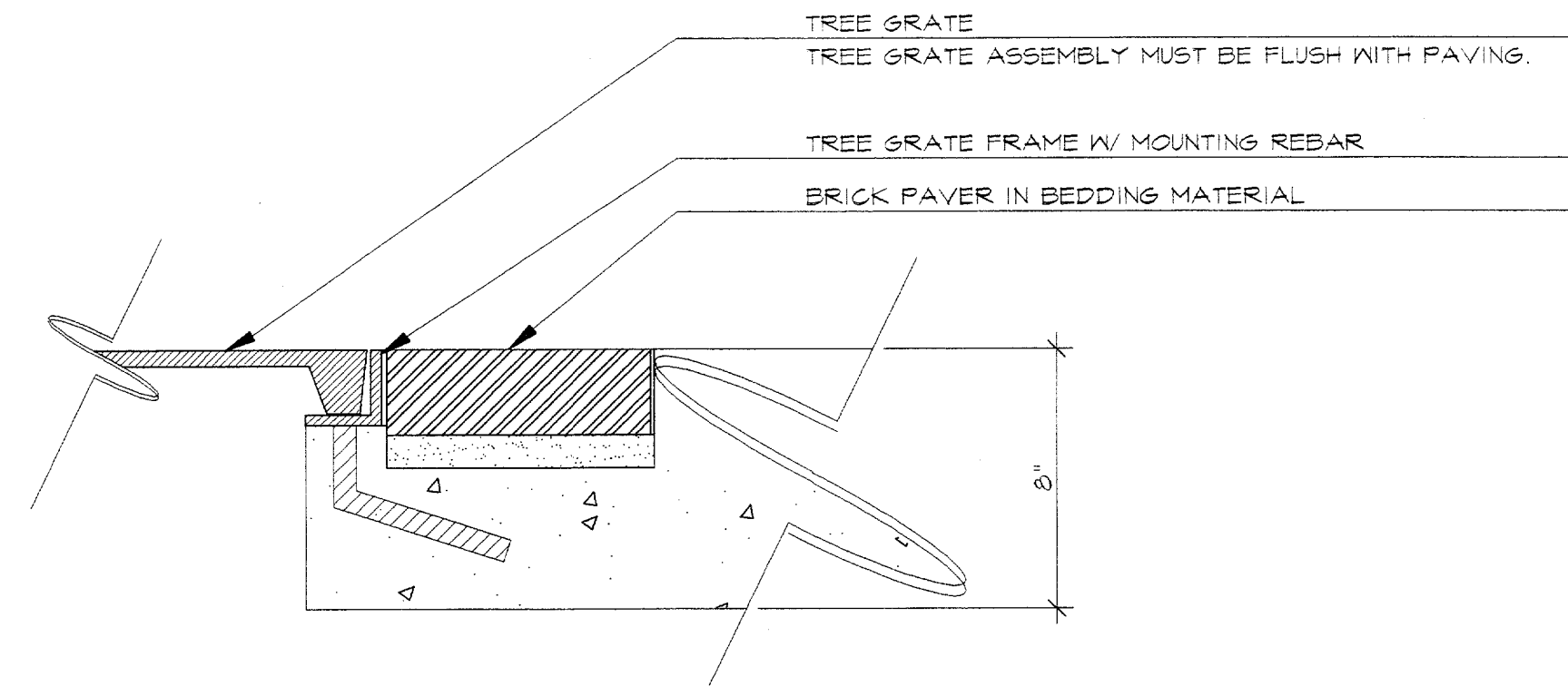
B TREE GRATE SECTION
3/4" = 1'-0"



C TREE GRATE SECTION
3/4" = 1'-0"

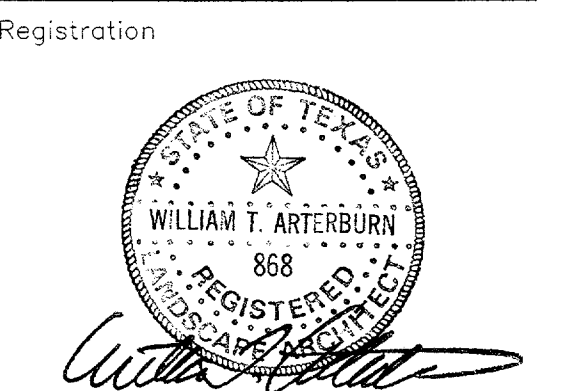
IMPORTANT!!!

- MESA Design Group assumes no responsibility for any excavation or grading not shown on surveys or civil engineer's plans supplied to MESA Design Group.
- All proposed and finished grades provided by MESA Design Group are based on information provided by owner's surveyor and/or civil engineer. Any discrepancies in actual field measurements are to be reported to landscape architect immediately.
- Contractor shall be responsible for making himself familiar with all underground utilities, pipes, structures, and line runs.
- Prior to commencement of hardscape construction, all plans, footings, and walls are to be surveyed, laid out, and staked in field for approval by landscape architect. Contractor shall assume responsibility for any demolition, adjustments, or reconstruction resulting from unauthorized construction activities.
- Contractor is responsible for all final quantities drawings and specifications. Any quantities provided by MESA Design Group are provided as a convenience only and shall not be considered absolute. Landscape architect should be notified if any discrepancies occur.



D TREE GRATE MOUNTING DETAIL
3" = 1'-0" CONTRACTOR TO DISCUSS WITH LANDSCAPE ARCHITECT PRIOR TO CONSTRUCTION.

| No. | Date | Item |
|-----|----------|-----------------------------------|
| Δ | 05/12/98 | CORRECTED DIMENSION ON TREE GRATE |



RFM
Drawn
WGM
Checked
97018
Project No.
12/12/97
Date

Sheet Title

TREE GRATE DETAILS

Sheet No.

LC-1

THIS DRAWING AND THE DESIGN SHOWN IS THE PROPERTY OF THE LANDSCAPE ARCHITECT. THE REPRODUCTION, COPYING, OR USE OF THIS DRAWING WITHOUT WRITTEN CONSENT IS PROHIBITED AND ANY INFRINGEMENT WILL BE SUBJECT TO LEGAL ACTION.
© Copyright 1997 MESA Design Group