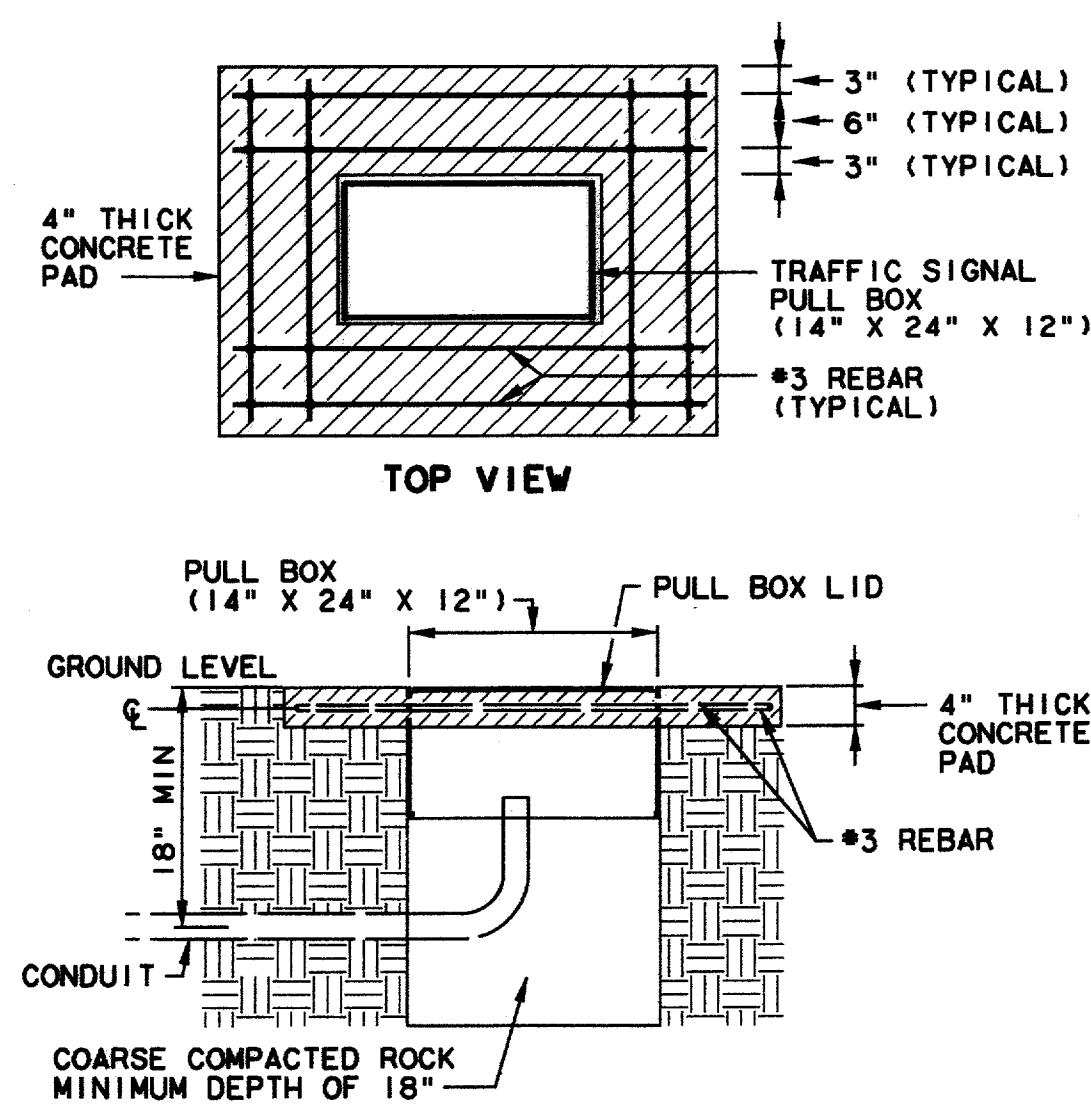


NOTE: STRAPS SHALL BE INSTALLED EVERY 5' STARTING AT GROUND

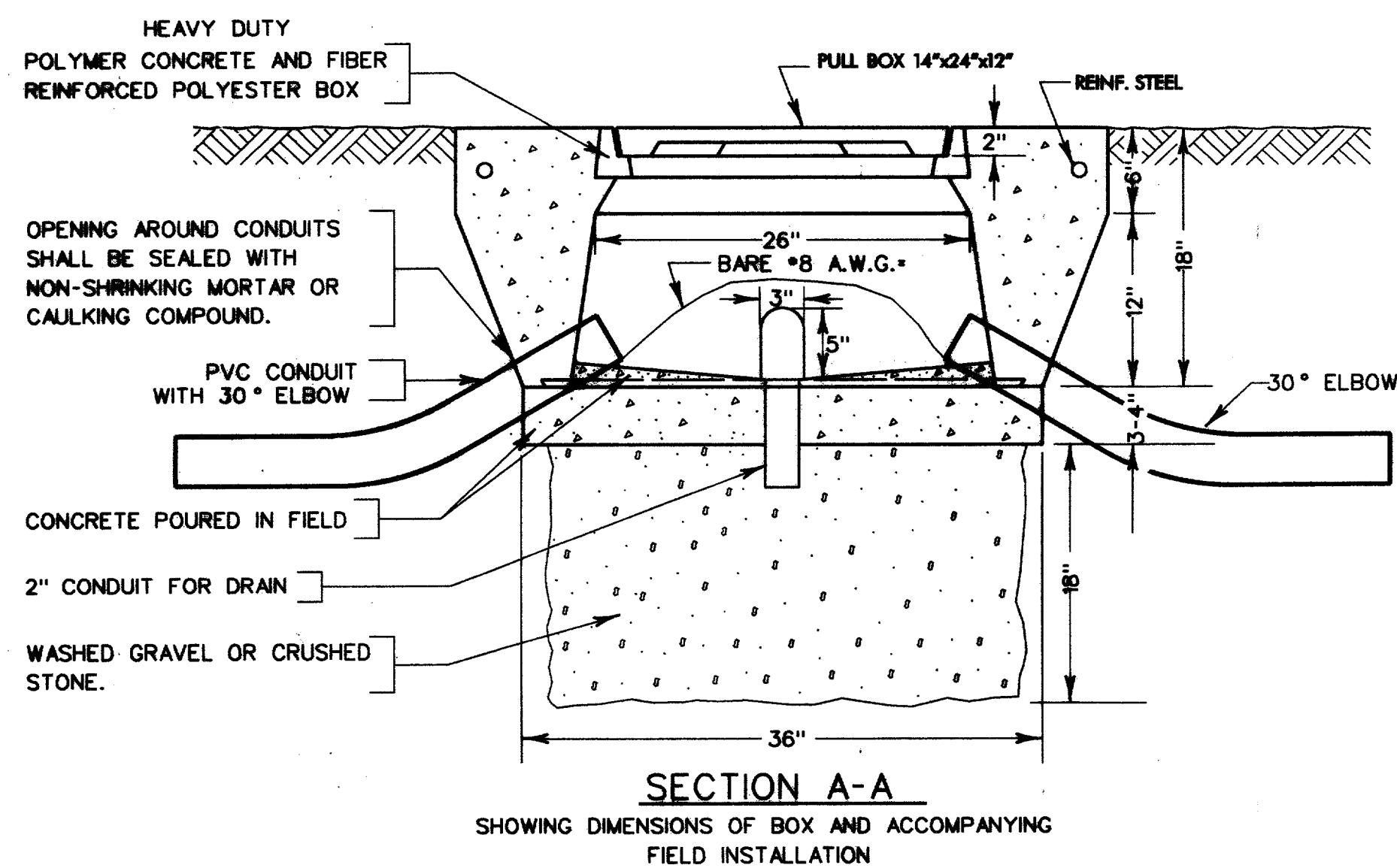
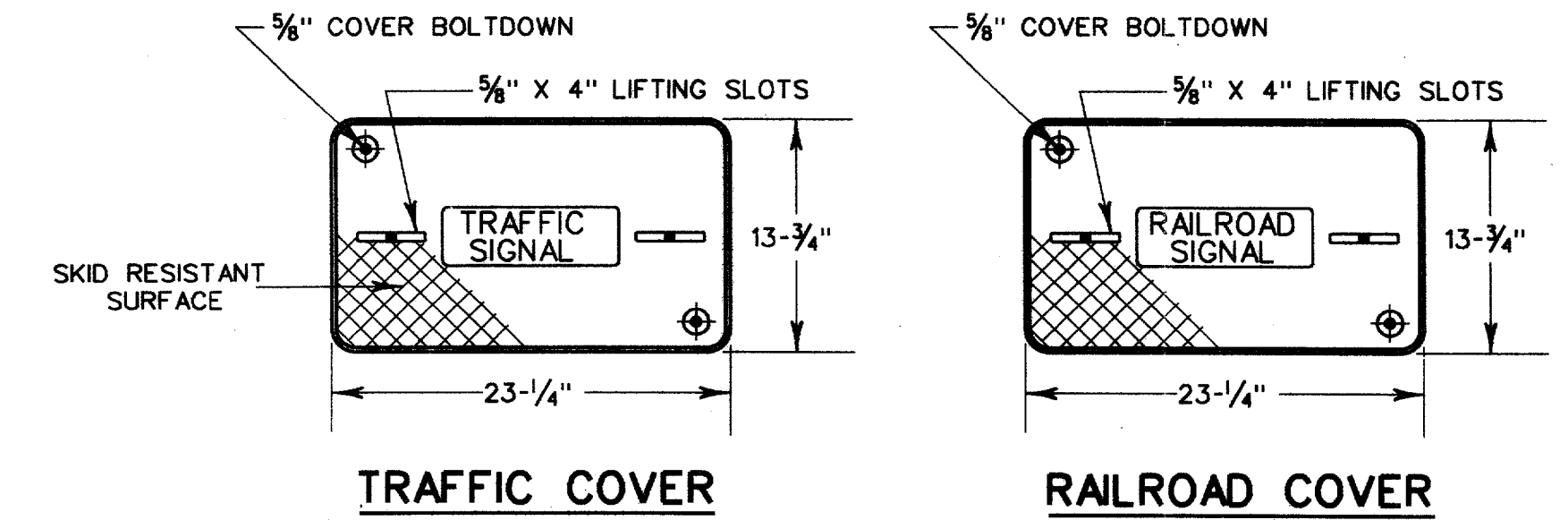
POWER SERVICE CONNECTION DETAILS

CONTRACTOR SHALL MOUNT EQUIPMENT ON POLES AS DIRECTED BY THE POWER COMPANY. IT IS THE RESPONSIBILITY OF THE CONTRACTOR TO NOTIFY TUE PRIOR TO CONSTRUCTION.



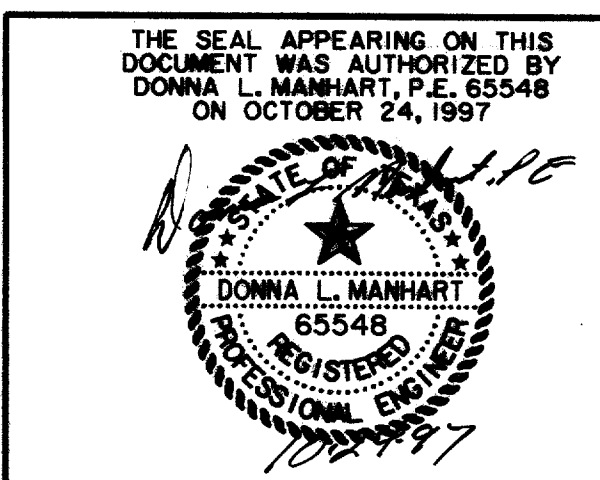
NOTES: 1. PULL BOX LID SHALL BE CAST IRON.
2. COVER SHALL BE FABRICATED TO FIT INTO A RECESSED LIP AND SECURED WITH 2 BRASS OR BRONZE BALLS AND NUTS. LIDS SHALL BE PROVIDED WITH A DROP TYPE HANDLE TO FACILITATE REMOVAL.

DETAIL OF PULL BOX



SECTION A-A
SHOWING DIMENSIONS OF BOX AND ACCOMPANYING FIELD INSTALLATION

NOTES:
1. ALL PULLBOXES NOT SET IN WALKS OR PAVED MEDIANS SHALL HAVE CONCRETE APRON.
2. TYPE 'C' PULLBOXES BY ALL CONTROLLERS SHALL HAVE CONCRETE APRON.



PULL BOX AND SERVICE CONNECTION DETAILS						
ARAPAHO ROAD						
ADDISON ROAD TO DALLAS NORTH TOLLWAY						
TOWN OF ADDISON, TEXAS						
Hull- Zollars, Inc./Consulting Engineers Dallas, Fort Worth, Houston, Phoenix, Tustin						
DESIGN	DRAWN	APPR.	SCALE	DATE	PROJECT NO.	NO.
HZI	HZI	DLM	NTS	OCT 97	1772-01	S-11

RECORD DOCUMENTS 6/9/2000
THESE RECORD DOCUMENTS HAVE BEEN PREPARED BASED ON INFORMATION PROVIDED BY OTHERS. THE CONSULTANT HAS NOT VERIFIED THE ACCURACY AND/OR COMPLETENESS OF THIS INFORMATION AND SHALL NOT BE RESPONSIBLE FOR ANY ERRORS OR OMISSIONS THAT MAY BE INCORPORATED AS A RESULT OF ERRONEOUS INFORMATION PROVIDED BY OTHERS.