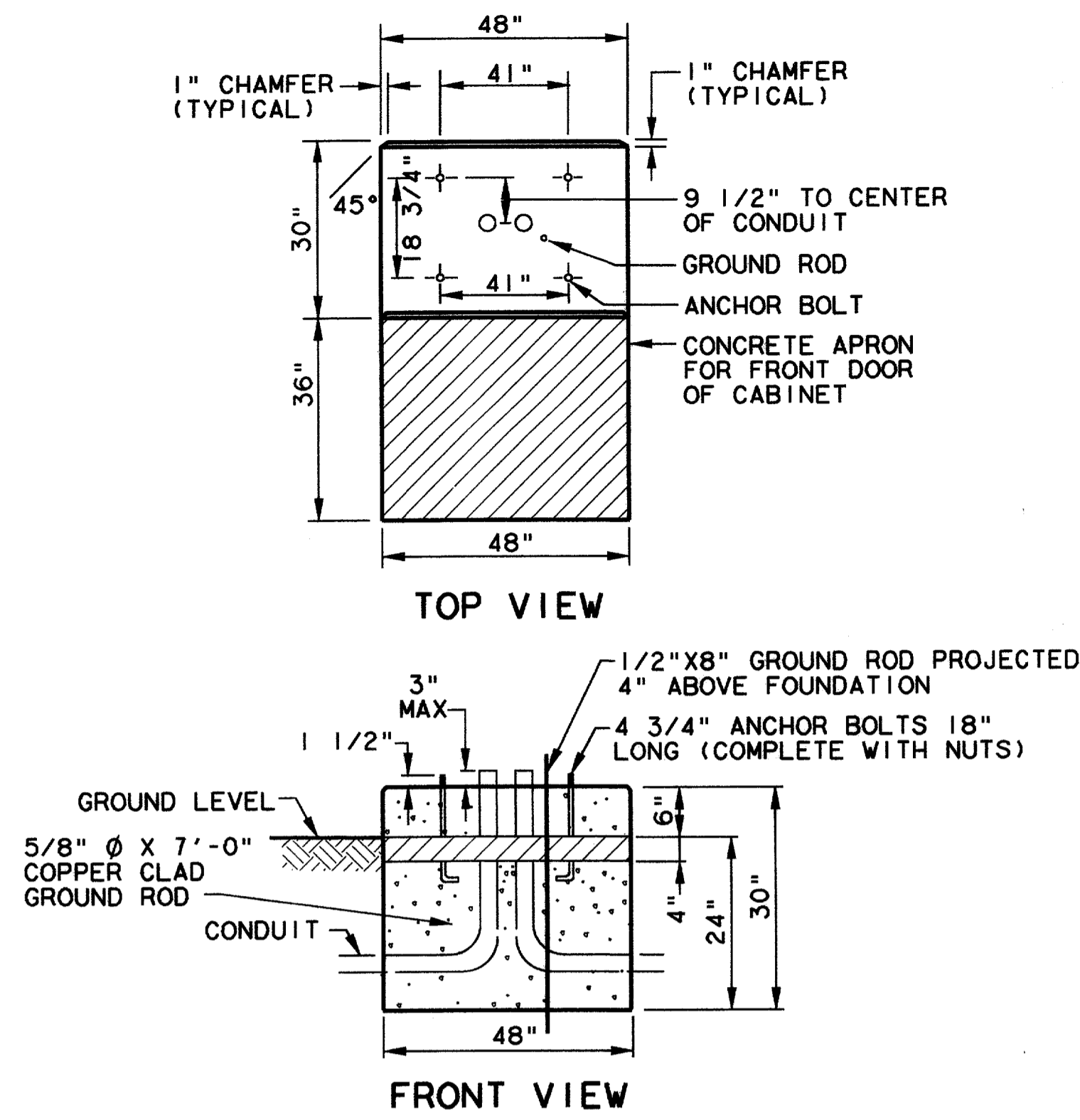


- NOTES:
1. A 1/4" THICK STEEL PLATE TEMPLATE WITH HOLES 1/16" GREATER THAN THE ANCHOR BOLT DIAMETER SHALL BE USED TO ACCURATELY POSITION ANCHOR BOLTS.
 2. CONCRETE USED FOR FOUNDATIONS SHALL BE EITHER CLASS A OR CLASS C AS DEFINED IN THE NORTH CENTRAL TEXAS COUNCIL OF GOVERNMENTS' "STANDARD SPECIFICATIONS FOR PUBLIC WORKS CONSTRUCTION" ITEM 7.4.5
 3. ALL ANCHOR BOLT HOOKS SHALL BE POINTED TOWARDS THE CENTER OF THE FOUNDATION.
 4. ALL CONDUITS PLACED IN THE FOUNDATION SHALL BE ORIENTED AS INDICATED ON THE INTERSECTION CONDUIT LAYOUT.
 5. 7" OF THE THREADED PORTION OF EACH ANCHOR BOLT SHALL PROJECT ABOVE THE TOP SURFACE OF THE FOUNDATION.
 6. A 5/8"Ø X 8'-0" COPPER CLAD STEEL GROUND ROD SHALL BE PLACED IN THE FOUNDATION WITH A MINIMUM OF 4" OF THE ROD PROJECTING ABOVE THE FOUNDATION'S TOP SURFACE.
 7. EACH GROUND ROD SHALL BE DRIVEN INTO THE SOIL FOR A MINIMUM OF 3' AS INDICATED ON THE DRAWING AT THE LEFT.
 8. WHEN SOLID ROCK IS ENCOUNTERED DURING DRILLING, THE DRILLED SHAFT SHALL EXTEND 5'-0" INTO SOLID ROCK, OR TO A DEPTH DETERMINED BY THE INSPECTOR.
 9. THE CONFIGURATION FOR ANCHOR BOLTS AND VERTICAL BARS INSIDE THE SPIRAL CAGE SHALL BE AS INDICATED ON DRAWING AT THE LEFT.
 10. SEE SELECTION TABLE FOR APPROPRIATE DRILLED SHAFT DEPTH FOR A GIVEN TYPE OF POLE AND ARM.
 11. ALL STEEL REINFORCEMENT BARS SHALL BE OF INTERMEDIATE GRADE.
 12. A 2' DEEP CIRCULAR FORM SHALL BE PLACED TO ENCASE THE TOP PORTION OF ALL CIRCULAR FOUNDATIONS.
 13. CONNECT #6 AWG STRANDED UNINSULATED COPPER GROUNDING CONDUCTOR TO GROUND ROD WITH A KEARNEY CLAMP. FOR FURTHER DETAILS CONCERNING GROUNDING CONSULT "DETAILS FOR GROUNDING CABINETS AND POLES" DRAWING.



DETAILS FOR INSTALLING CONTROLLER CABINET AND FOUNDATION

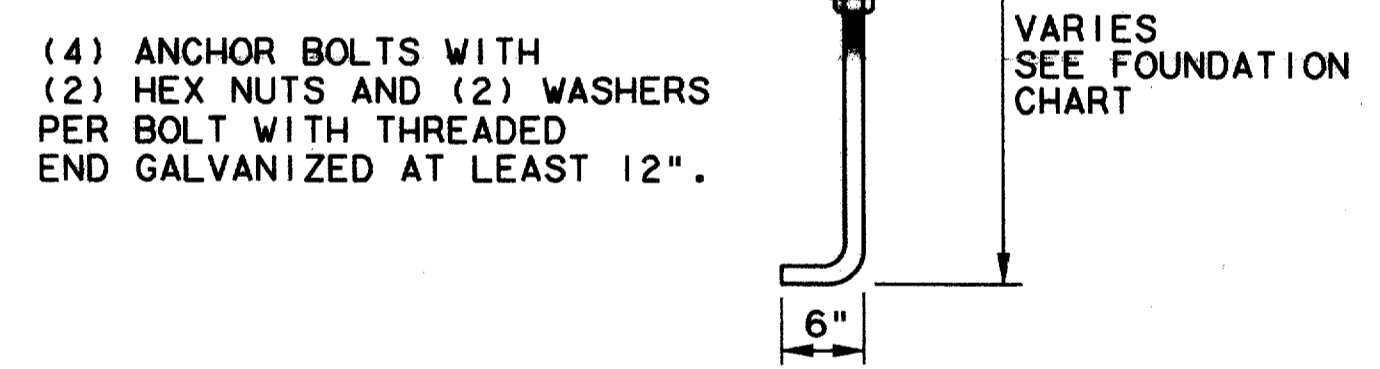
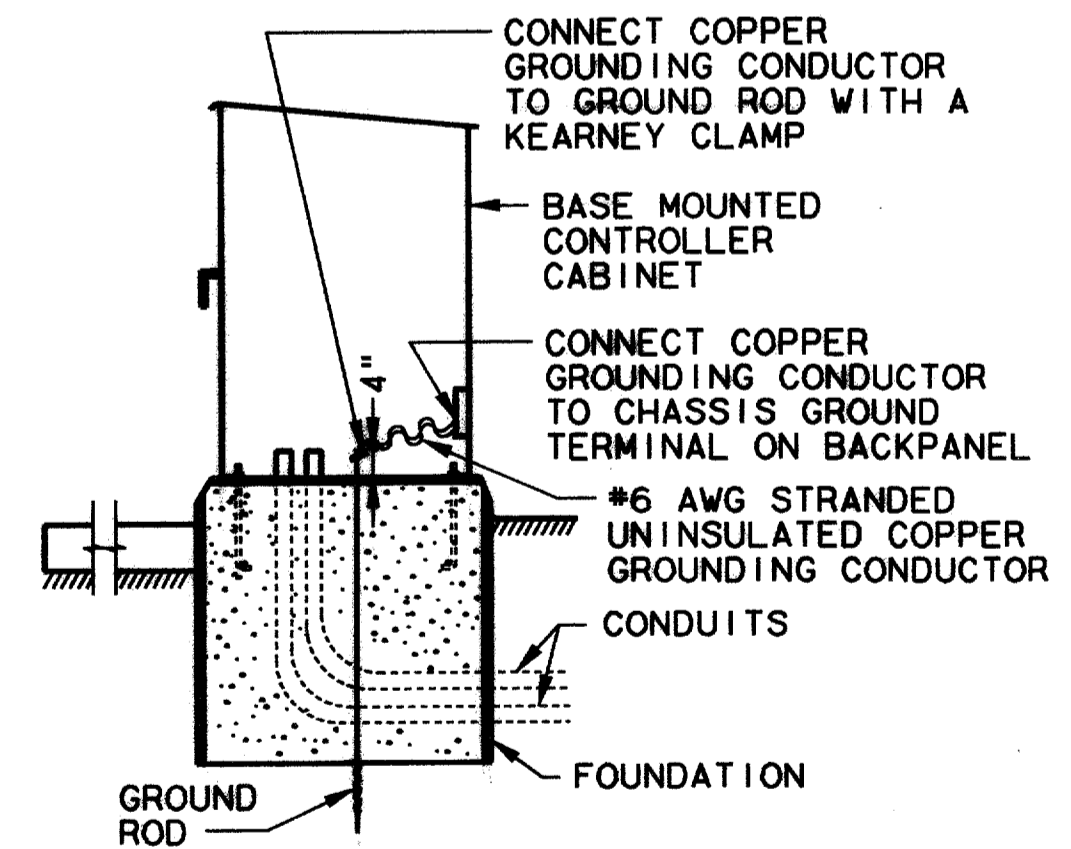
FOUNDATION SELECTION TABLE

TYPE OF POLE AND MAST ARM	FOUNDATION TYPE	DRILLED SHAFT DIAMETER	SPIRAL CAGE DIAMETER	REINFORCEMENT STEEL		DRILLED SHAFT DEPTH	ANCHOR BOLT - QUANTITY AND DIMENSION	ANCHOR BOLT CIRCLE DIAMETER	TEMPLATE	
				VERT BARS	SPIRAL & PITCH				INSIDE RADIUS R1	OUTSIDE RADIUS R2 (MIN.)
TYPE I UP TO 36' ARM	30-A	30"	25"	8-#7'S	#3 AT 9"	11'-0"	(4) - 1 1/2" X 40" X 6" HOOK	17"	7"	10"
TYPE I UP TO 48' ARM	30-B	30"	25"	8-#9'S	#3 AT 9"	13'-0"	(4) - 1 3/4" X 46" X 6" HOOK	19"	7 3/4"	11 1/8"

- NOTES:
1. DRILLED SHAFT DIAMETER AND DEPTH, AND NUMBER OF VERTICAL BARS BASED ON TXDOT DISTRICT 18 STANDARDS FOR 80 MPH WINDS.
 2. SINGLE MAST ARM.

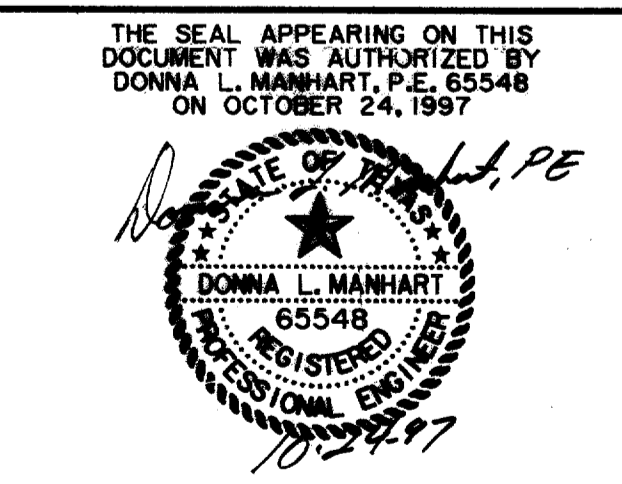
POLE FOUNDATION DETAILS FOR TRAFFIC SIGNAL STRUCTURES

- GENERAL NOTES
1. ALL CONTROLLER CABINETS AND SIGNAL POLES MOUNTED ON NEW FOUNDATIONS MUST BE GROUNDED.
 2. SIZE OF COPPER CLAD STEEL GROUND ROD SHALL BE 5/8"Ø X 8'-0".
 3. WHEN INSTALLING A GROUND ROD IN AN EXISTING FOUNDATION, DRILL 1" HOLE THROUGH THE FOUNDATION MISSING ALL ANCHOR BOLTS AND CONDUITS. AND PACK THE DRILLED HOLE WITH SALT.
 4. GROUND ROD SHALL CLEAR ALL ANCHOR BOLTS AND CONDUITS IN THE FOUNDATION. GROUND RODS SHALL EXTEND 4" ABOVE THE TOP OF FOUNDATION.



ANCHOR BOLT
NO SCALE

GROUND CABINETS DETAIL



TRAFFIC SIGNAL CONTROLLER CABINET, AND SIGNAL FOUNDATION DETAILS						
ARAPAHO ROAD						
ADDISON ROAD TO DALLAS NORTH TOLLWAY						
TOWN OF ADDISON, TEXAS						
Huitt-Zollars, Inc./Consulting Engineers Dallas, Fort Worth, Houston, Phoenix, Tustin						
DESIGN	DRAWN	APPR.	SCALE	DATE	PROJECT NO.	NO.
HZI	HZI	DLM	NTS	OCT 97	1772-01	S-10

RECORD DOCUMENTS 6/9/2000

THESE RECORD DOCUMENTS HAVE BEEN PREPARED BASED ON INFORMATION PROVIDED BY OTHERS. THE CONSULTANT HAS NOT VERIFIED THE ACCURACY AND/OR COMPLETENESS OF THIS INFORMATION AND SHALL NOT BE RESPONSIBLE FOR ANY ERRORS OR OMISSIONS THAT MAY BE INCORPORATED AS A RESULT OF ERRONEOUS INFORMATION PROVIDED BY OTHERS.