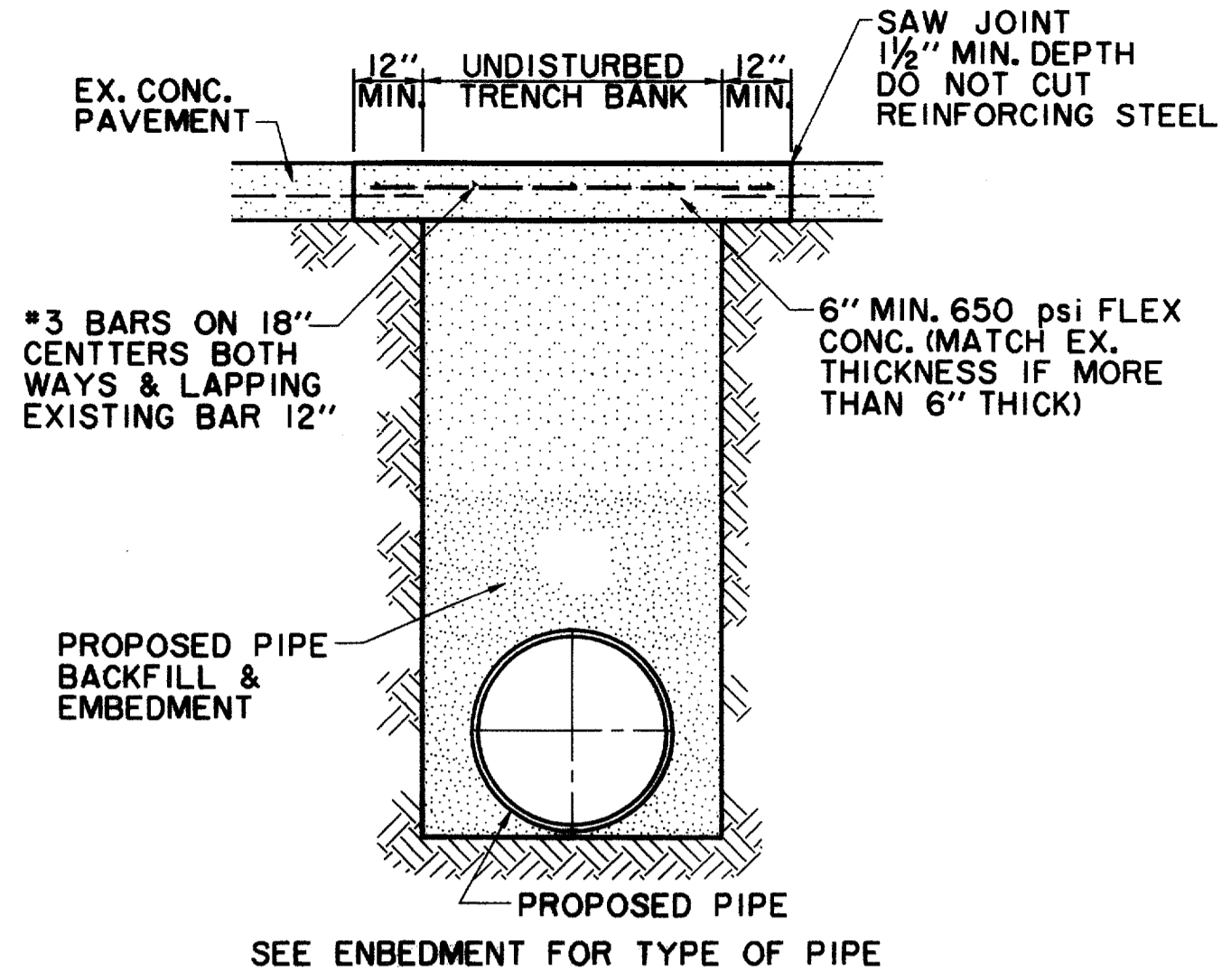
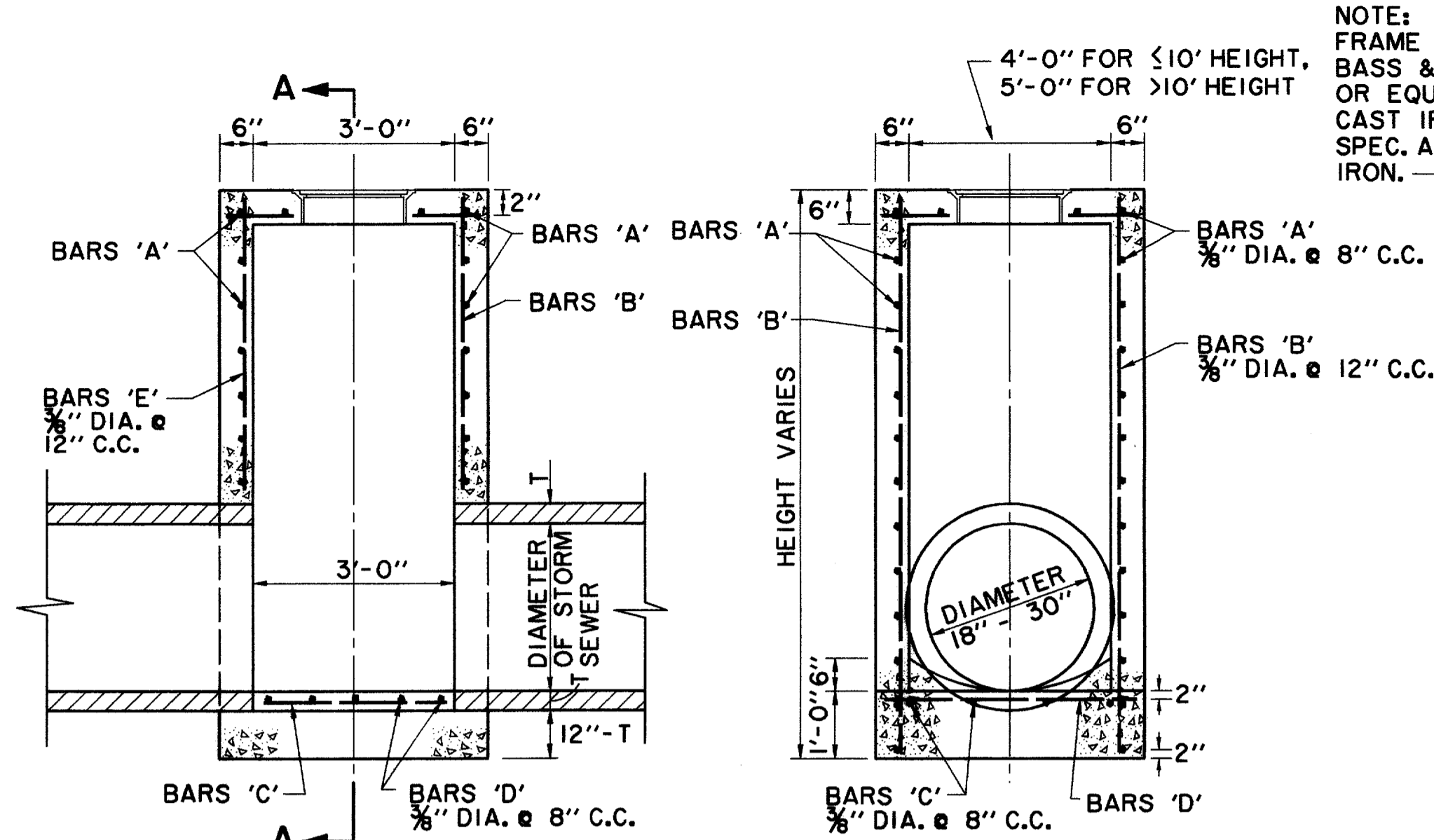


PROPOSED PIPE TO EXISTING PIPE WYE CONNECTION
N.T.S.



CONCRETE STREET OR DRIVEWAY REPAIR
N.T.S.



ELEVATION
N.T.S.
TYPE A STORM SEWER MANHOLE
(FOR PIPE 18" TO 30" IN DIAMETER)

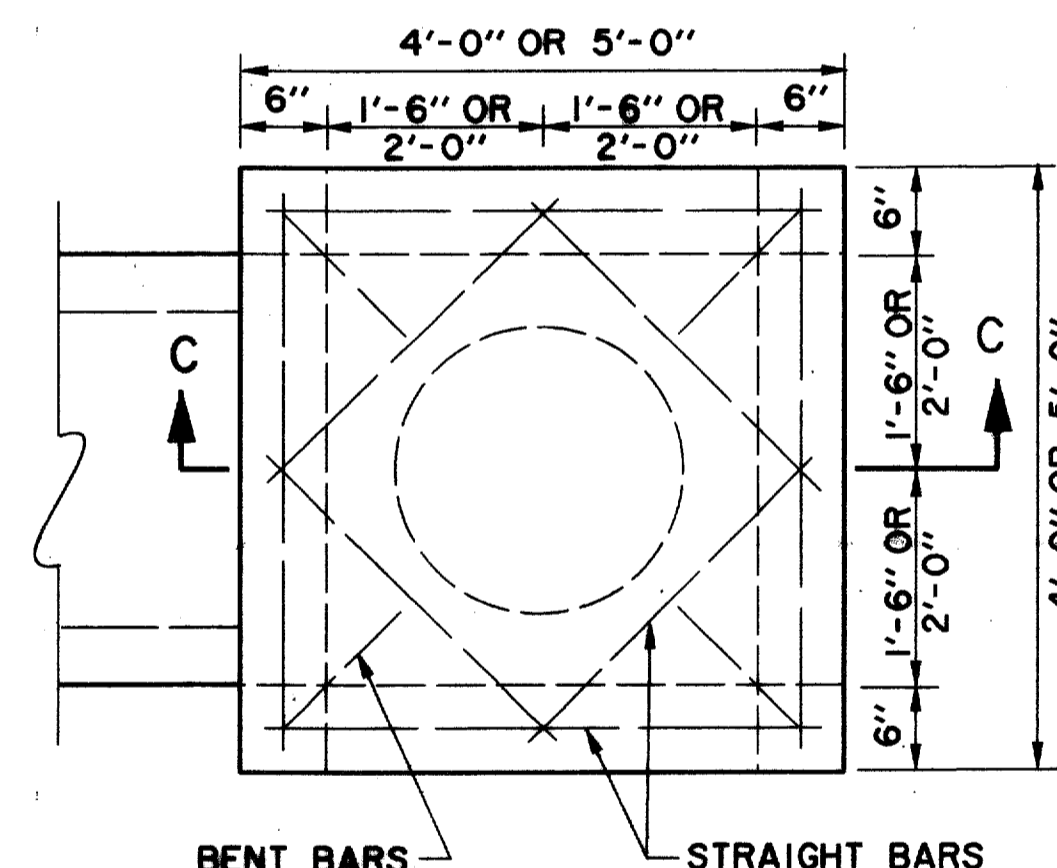
SECTION A-A
N.T.S.

NOTE: STRUCTURAL CONCRETE TO BE MINIMUM 4200 p.s.i. UNLESS NOTED OTHERWISE

TOP PLAN
TYPE A & TYPE B
STORM SEWER MANHOLE
N.T.S.
NOTE MAXIMUM PIPE SIZE TO BE USED 78"

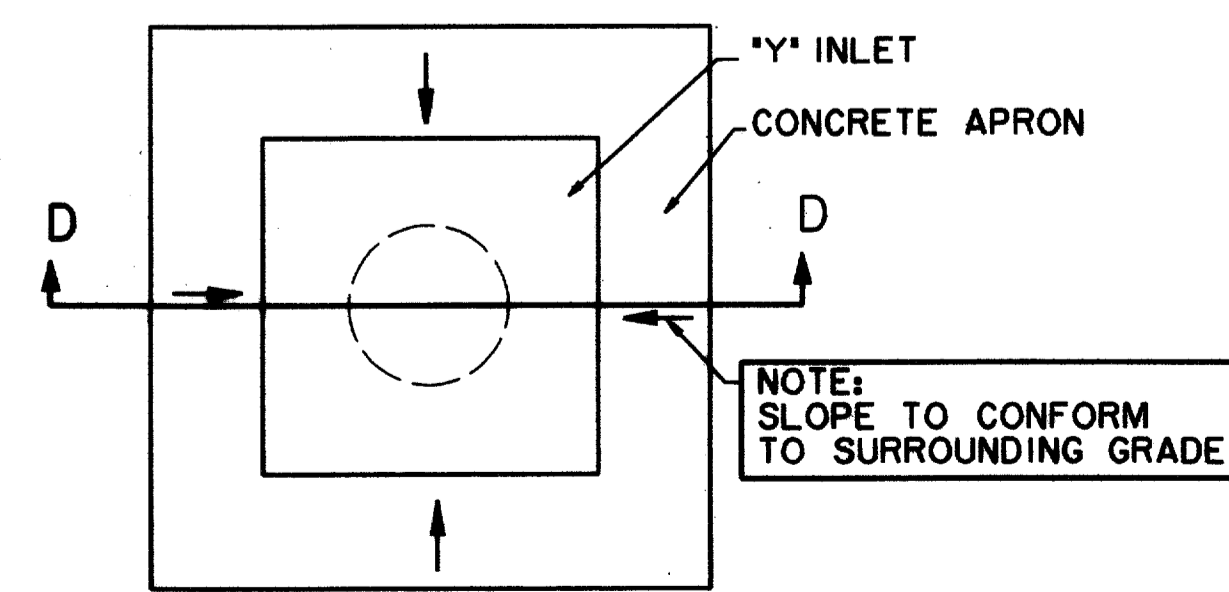
NOTE: MANHOLES AND INLETS GREATER THAN 4' IN DEPTH SHALL HAVE BASS AND HAYES MODEL MA STEPS OR APPROVED EQUAL

PROVIDE 3/4" PREMOLDED EXPANSION JOINT BETWEEN MANHOLE AND CONCRETE PAVEMENT AND SEAL WITH SILICONE JOINT SEALANT

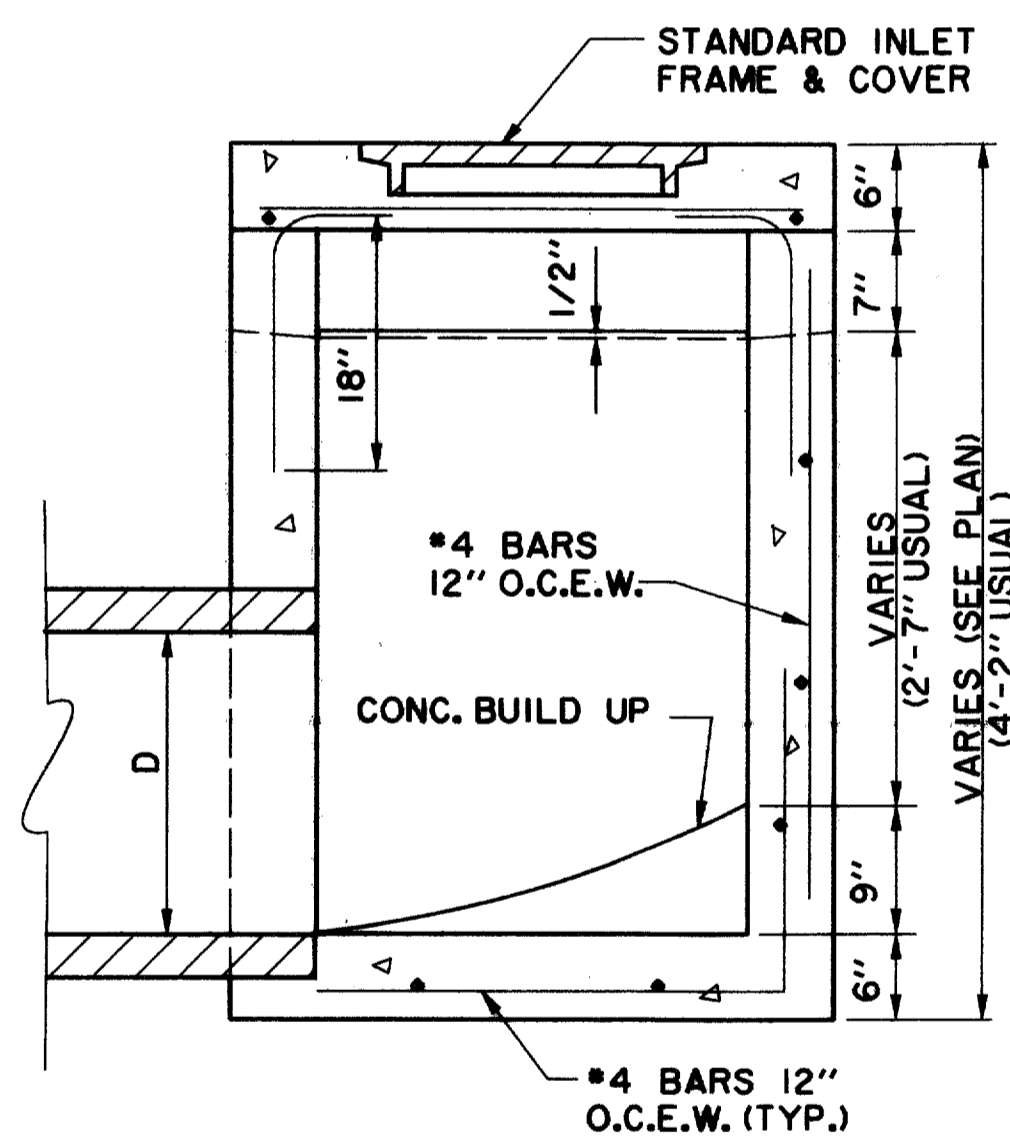


STANDARD TYPE "Y" INLET
N.T.S.

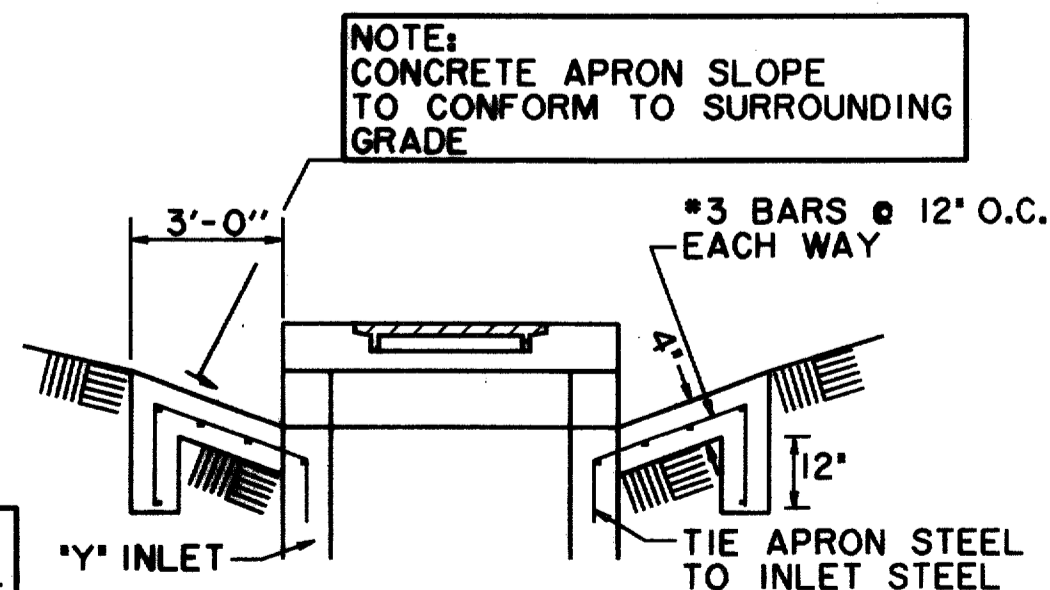
NOTE: ALL 'Y' INLETS TO HAVE CONCRETE APRON AROUND INLET



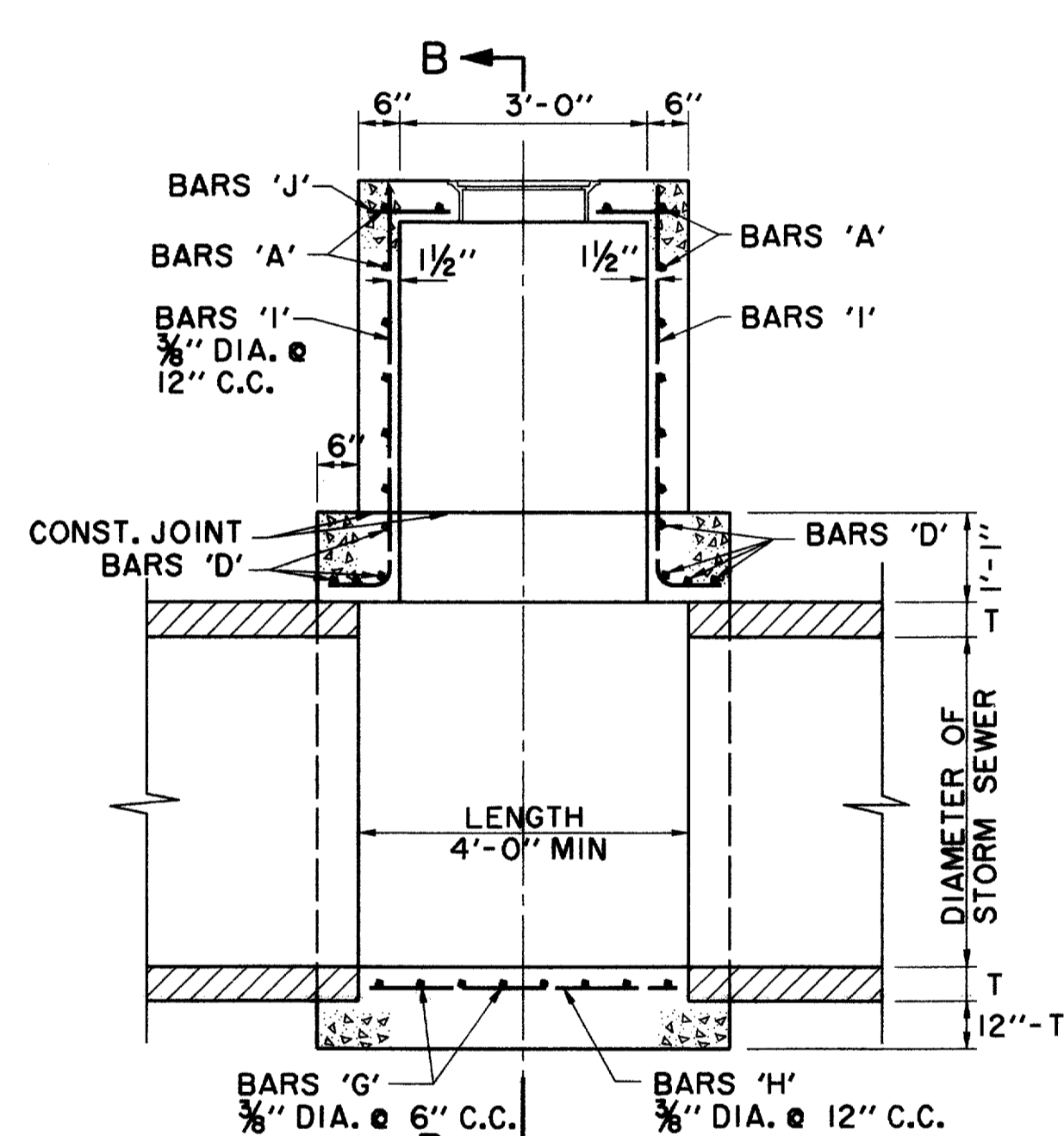
"Y" INLET CONCRETE APRON PLAN
N.T.S.



SECTION C-C
N.T.S.

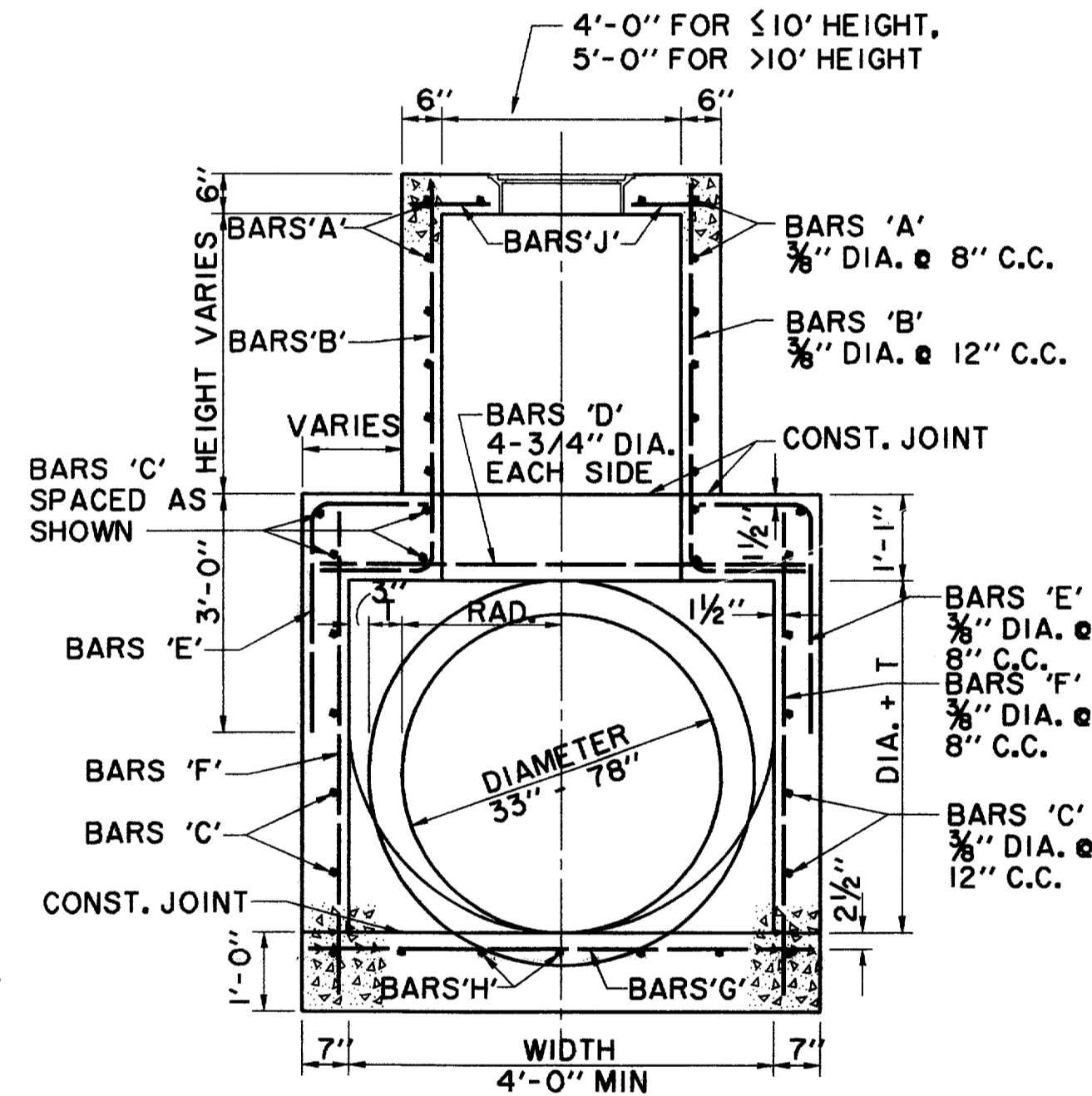


SECTION D-D
N.T.S.

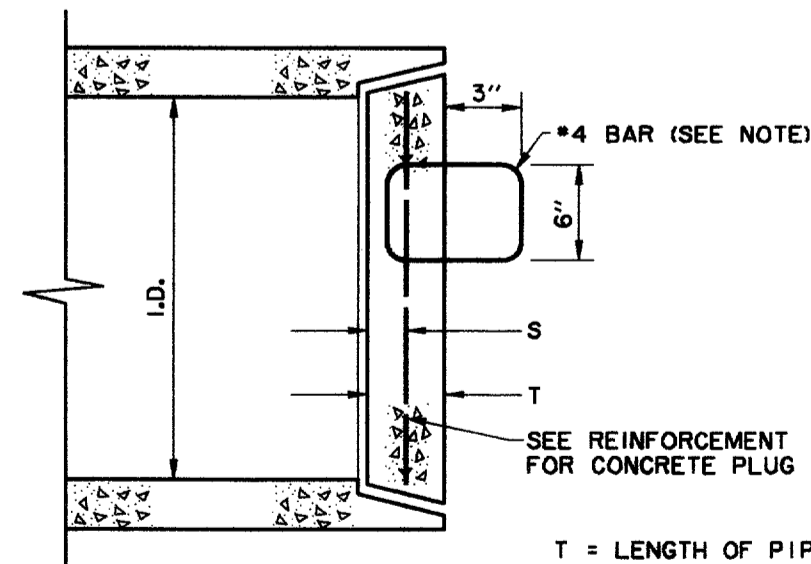


ELEVATION
N.T.S.

TYPE B STORM SEWER MANHOLE
(FOR PIPE 33" TO 78" IN DIAMETER)



SECTION B-B
N.T.S.

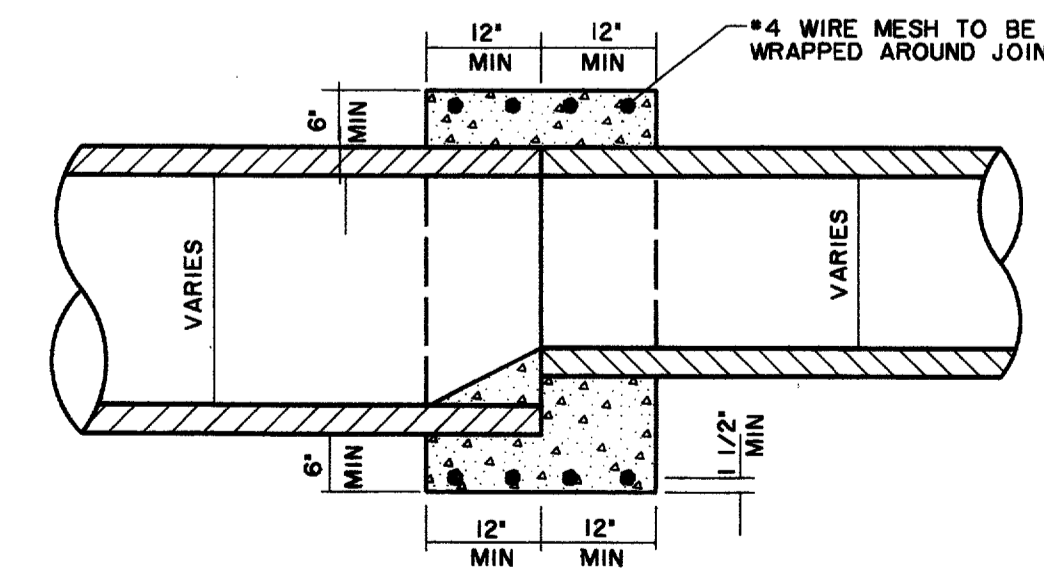


REINFORCEMENT FOR CONCRETE PLUG

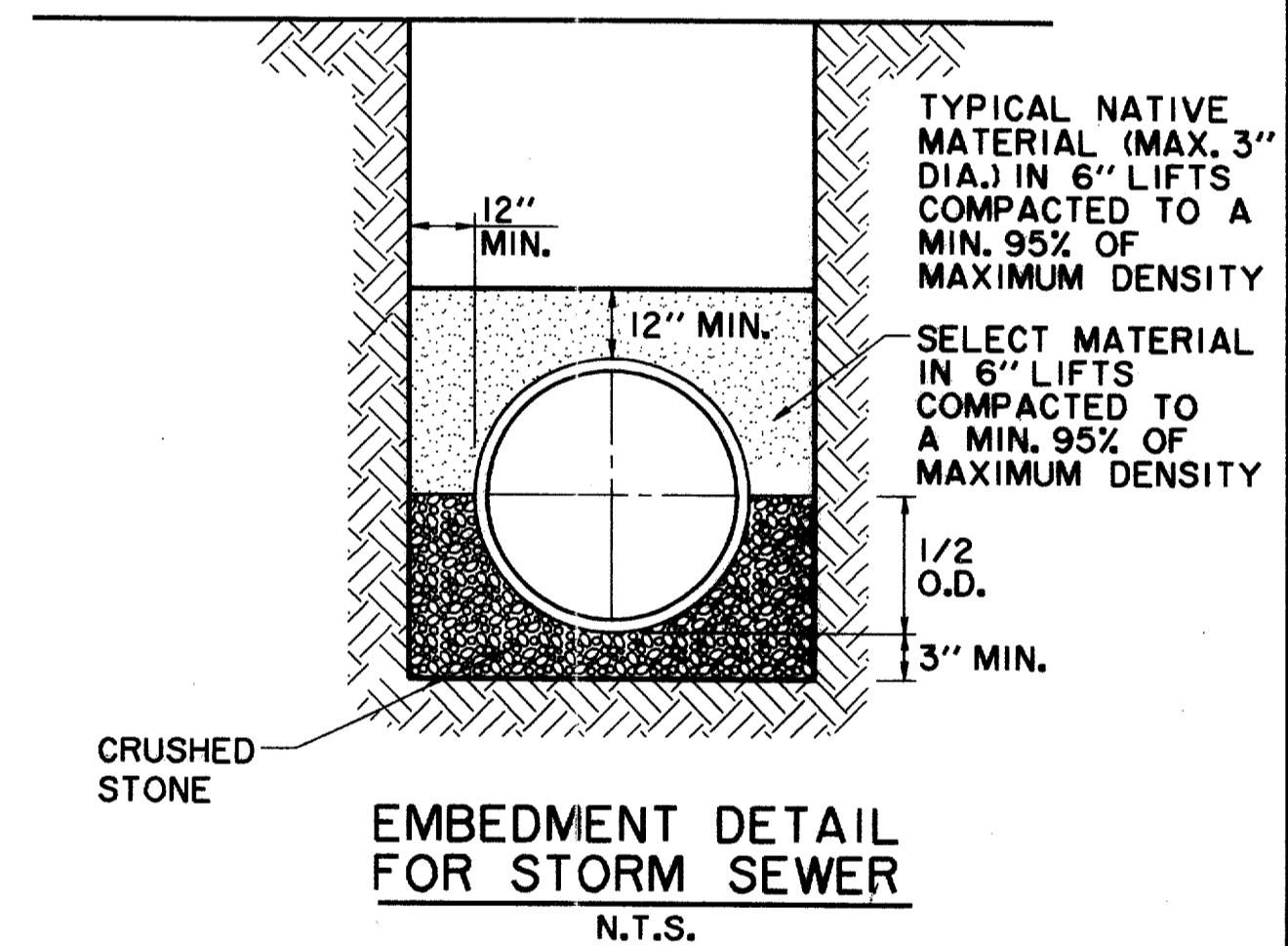
PIPE SIZE	REINF. BAR	DISTANCE (C-C)	S
18"-39"	#3	12" BOTH WAYS	1/2 T
42"-54"	#3	12" BOTH WAYS	1/3 T
60"-72"	#4	12" BOTH WAYS	1/4 T

NOTE: STEEL HANDLE FOR REINFORCED CONCRETE PIPE PLUG SHALL BE LOCATED 1/4 I.D. ABOVE CENTER POINT OF PLUG. TWO STEEL HANDLES WILL BE REQUIRED ON PLUGS OF 36" PIPES OR LARGER AND SHALL BE PLACED 1/4 I.D. ABOVE CENTER OF PLUG.

CONCRETE PLUG DETAIL



DETAIL OF CONCRETE COLLAR
FOR END TO END EXTENSIONS



EMBEDMENT DETAIL
FOR STORM SEWER
N.T.S.

RECORD DOCUMENTS 6/9/2000

THESE RECORD DOCUMENTS HAVE BEEN PREPARED BASED ON INFORMATION PROVIDED BY OTHERS. THE CONSULTANT HAS NOT VERIFIED THE ACCURACY AND/OR COMPLETENESS OF THIS INFORMATION AND SHALL NOT BE RESPONSIBLE FOR ANY ERRORS OR OMISSIONS THAT MAY BE INCORPORATED AS A RESULT OF ERRONEOUS INFORMATION PROVIDED BY OTHERS.

THE SEAL APPEARING ON THIS DOCUMENT WAS AUTHORIZED BY KENNETH A. ROBERTS, P.E. 55446 ON OCTOBER 24, 1997



STORMWATER DETAILS
ARAPAHO ROAD
ADDISON ROAD TO DALLAS NORTH TOLLWAY
TOWN OF ADDISON, TEXAS

Huitt-Zollars, Inc./Consulting Engineers
Dallas, Fort Worth, Houston, Phoenix, Tustin

DESIGN	DRAWN	APPR.	SCALE	DATE	PROJECT NO.	NO.
HZI	HZI	KAR	N.T.S.	OCT 97	1772-01	ST-15