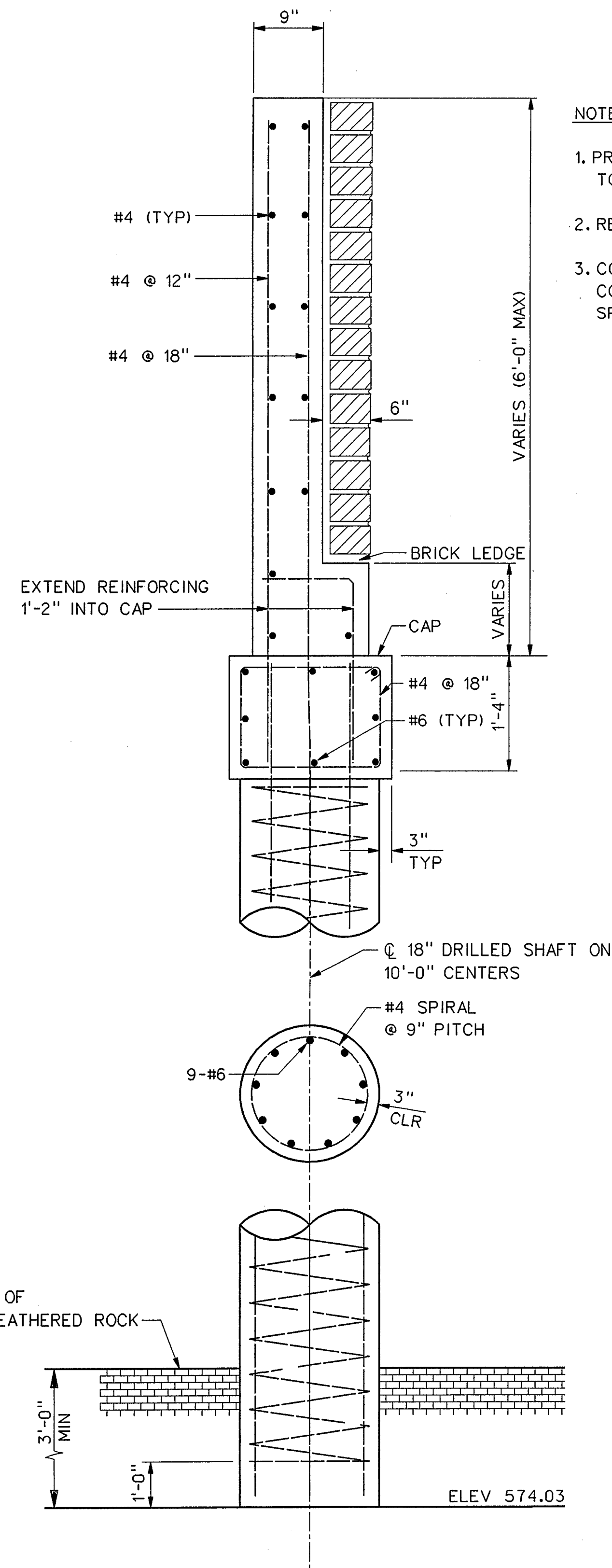


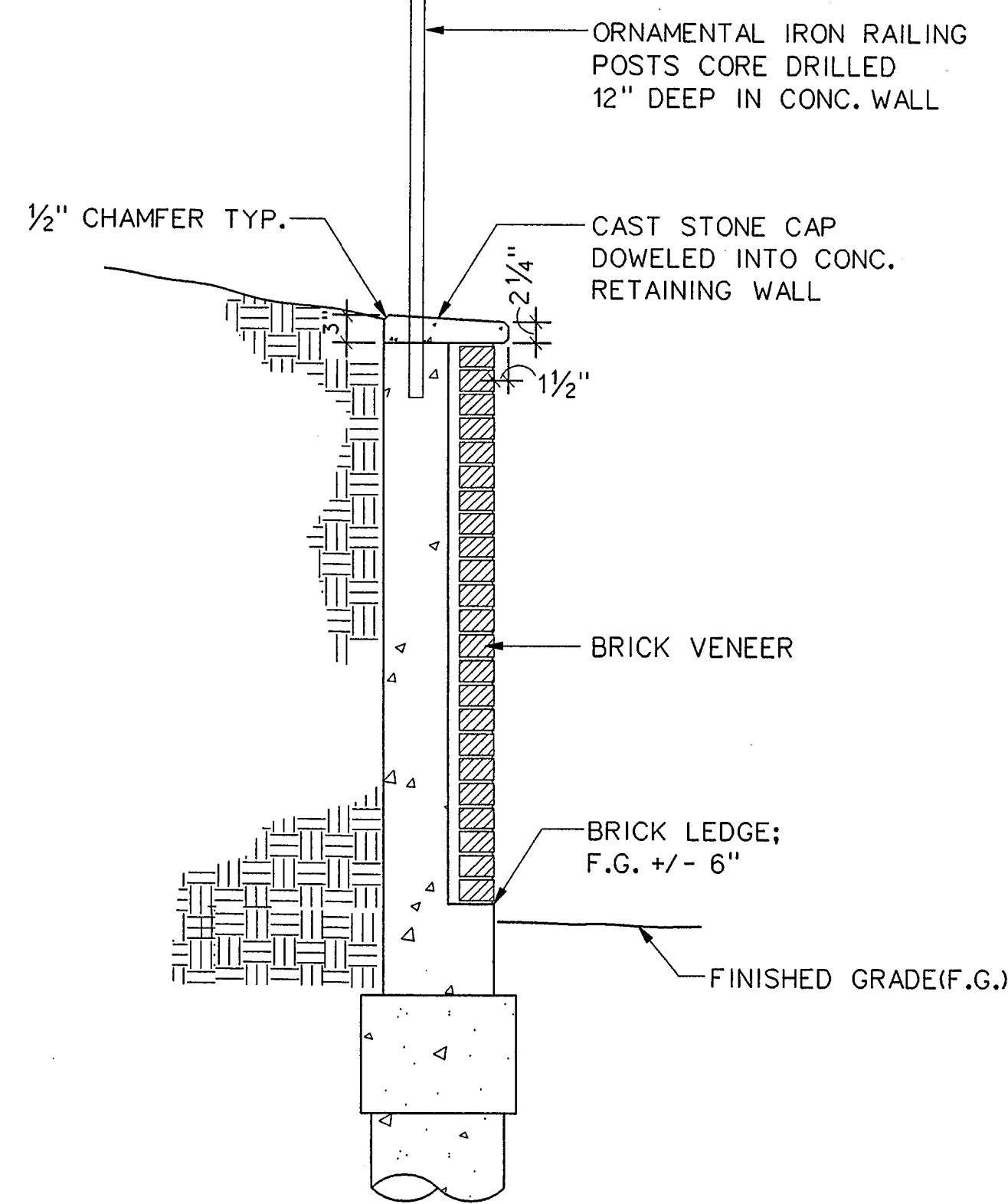
G:\25768\h1\pse\cads\ar2dt03.dgn 19-FEB-2002 10:14



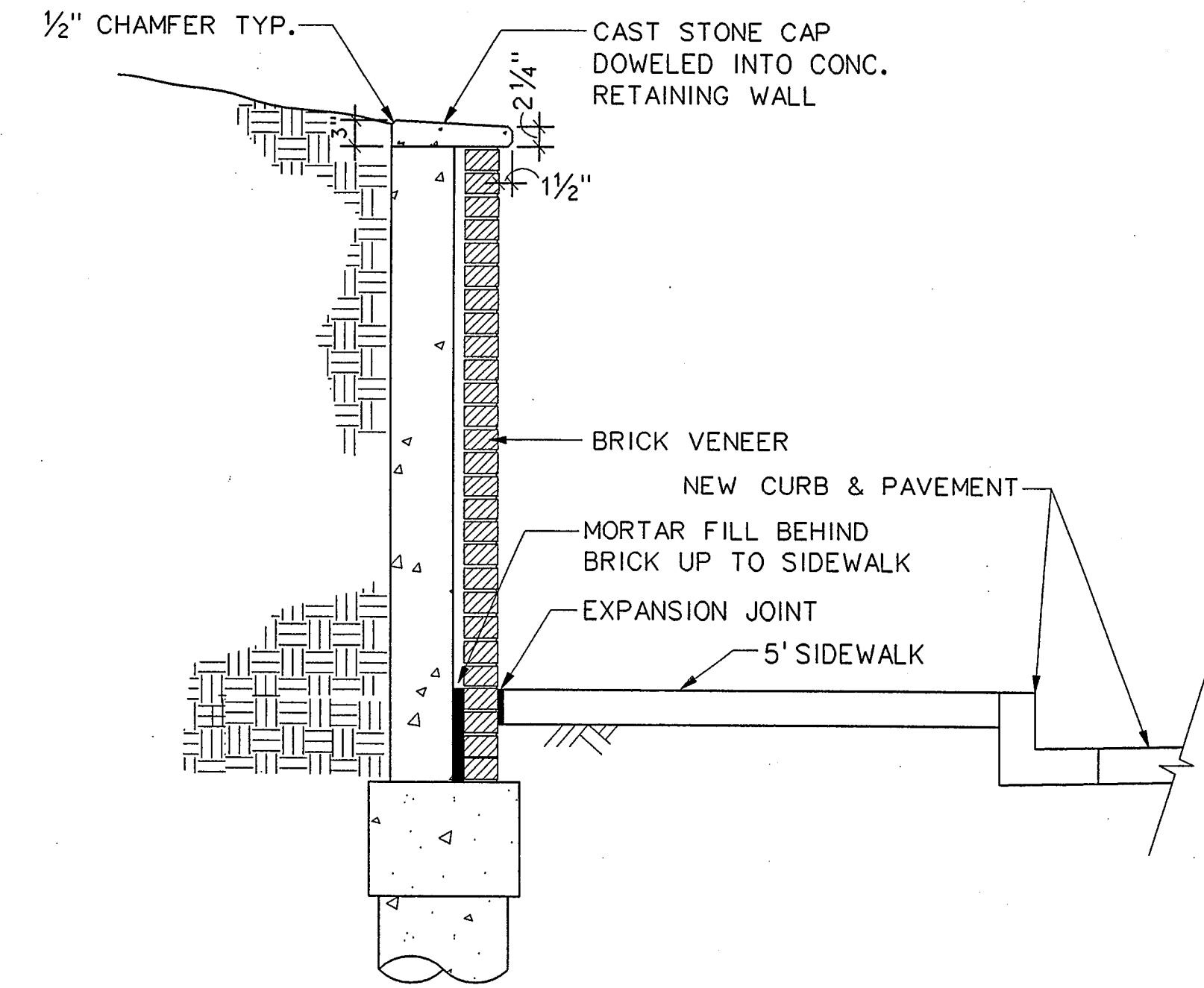
REINFORCING WALL DETAIL
NOT TO SCALE

NOTES:

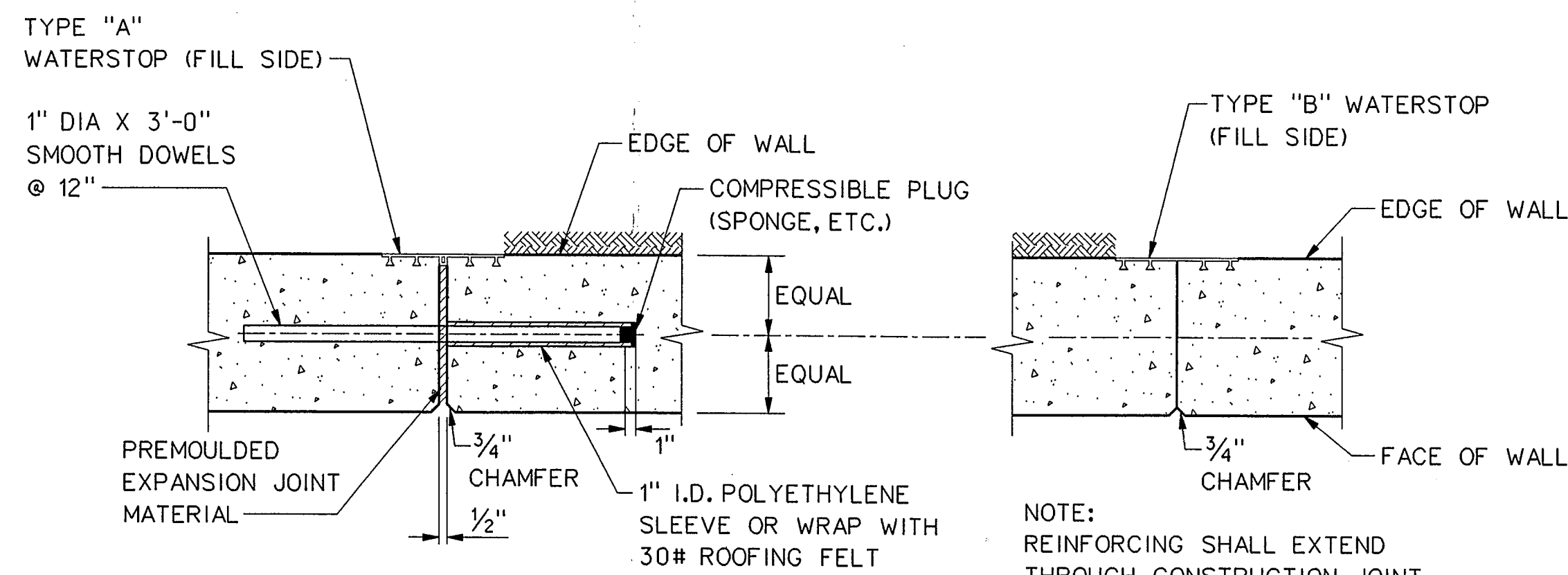
1. PROVIDE 2 INCHES MINIMUM CLEAR COVER TO ALL REINFORCING STEEL UNLESS NOTED
2. REINFORCING STEEL SHALL BE GRADE 60
3. CONCRETE SHALL CONFORM TO CLASS C CONCRETE, ACCORDING TO "TEXAS STANDARD SPECIFICATIONS 1993".



ARAPAHO RETAINING WALL DETAIL
NOT TO SCALE

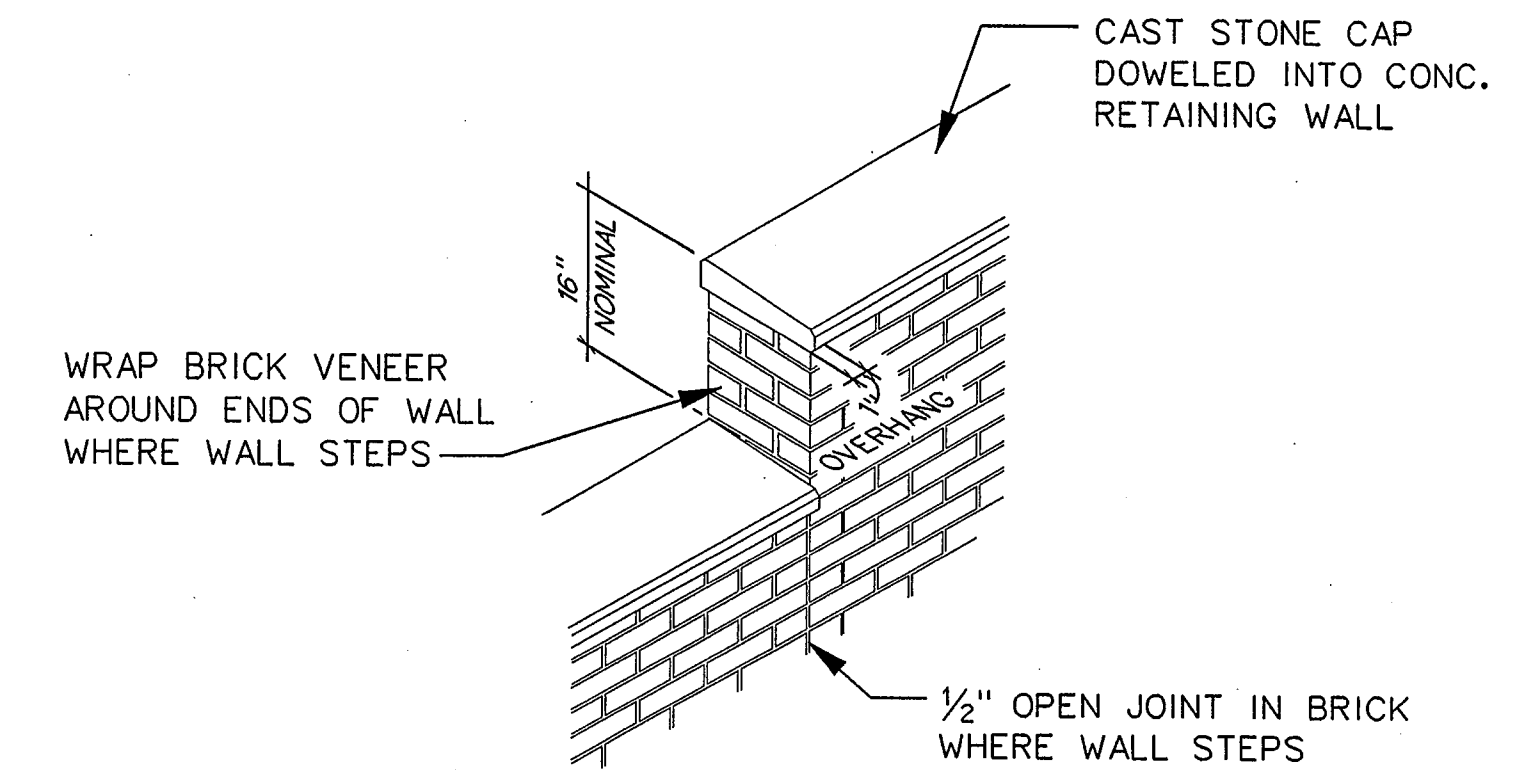


MARSH RETAINING WALL DETAIL
NOT TO SCALE

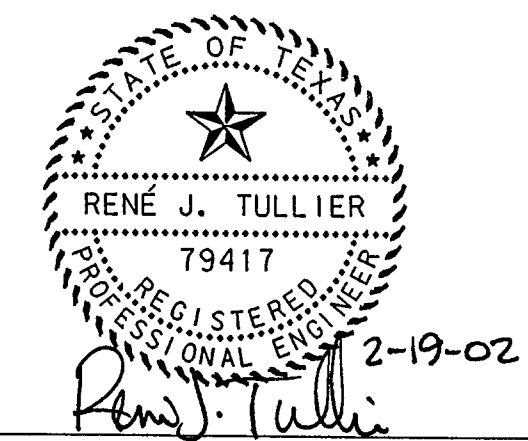


EXPANSION JOINT
NOT TO SCALE

CONSTRUCTION JOINT
NOT TO SCALE



RETAINING WALL DETAIL
NOT TO SCALE



NO.		DATE	REVISION	APPROV.
HNTB ARCHITECTS ENGINEERS PLANNERS The HNTB Companies				
ARAPAHO ROAD - PHASE II				
MARSH LANE TO SURVEYOR BOULEVARD				
RETAINING WALL DETAILS				
TOWN OF ADDISON, TEXAS				
Design	RJT	Drawn	LER	DATE
Check	AMS	Check	AMS	DEC 01
SCALE	PROJECT NO.	SHEET ID		
NTS	25768	WL-3		