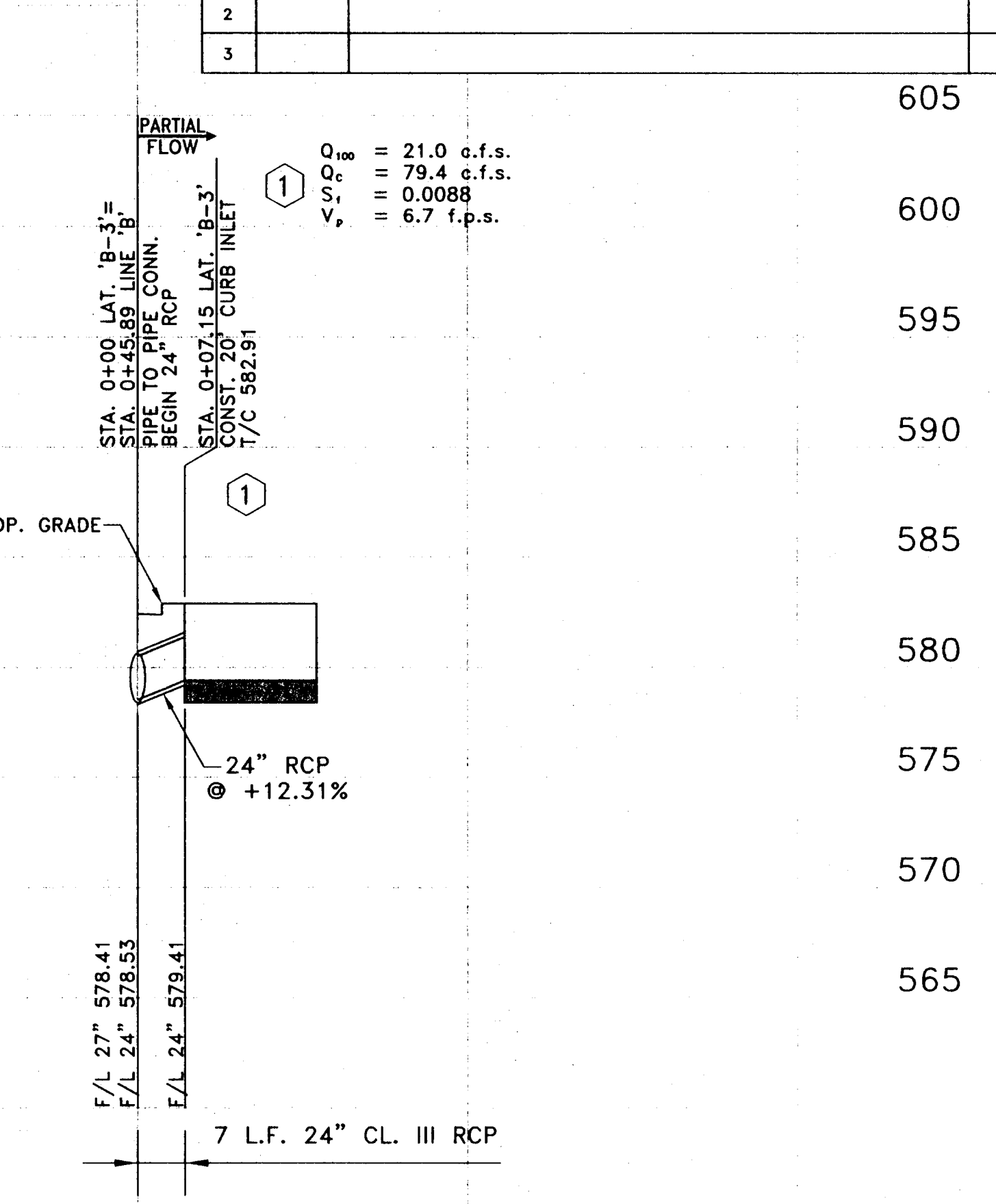
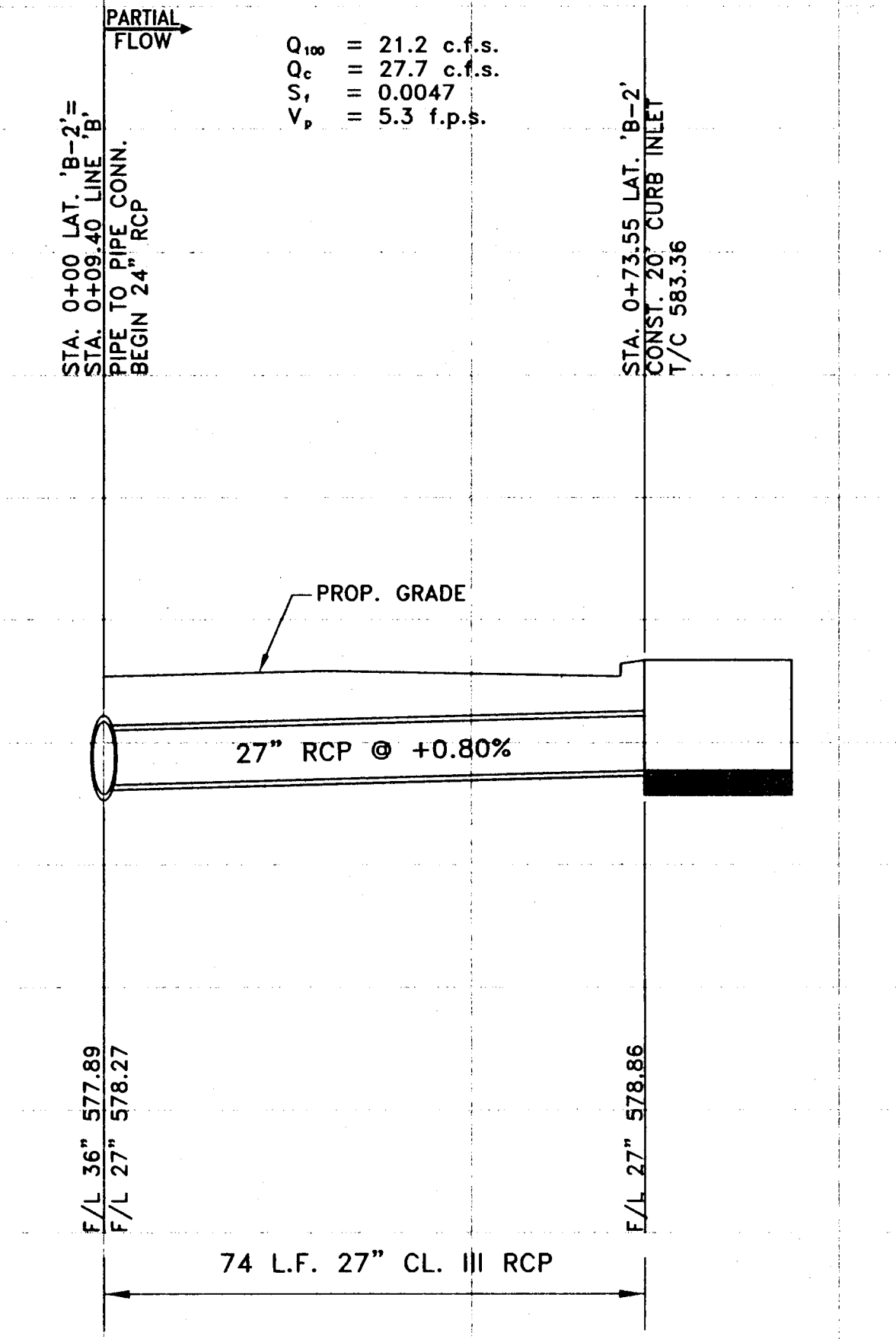
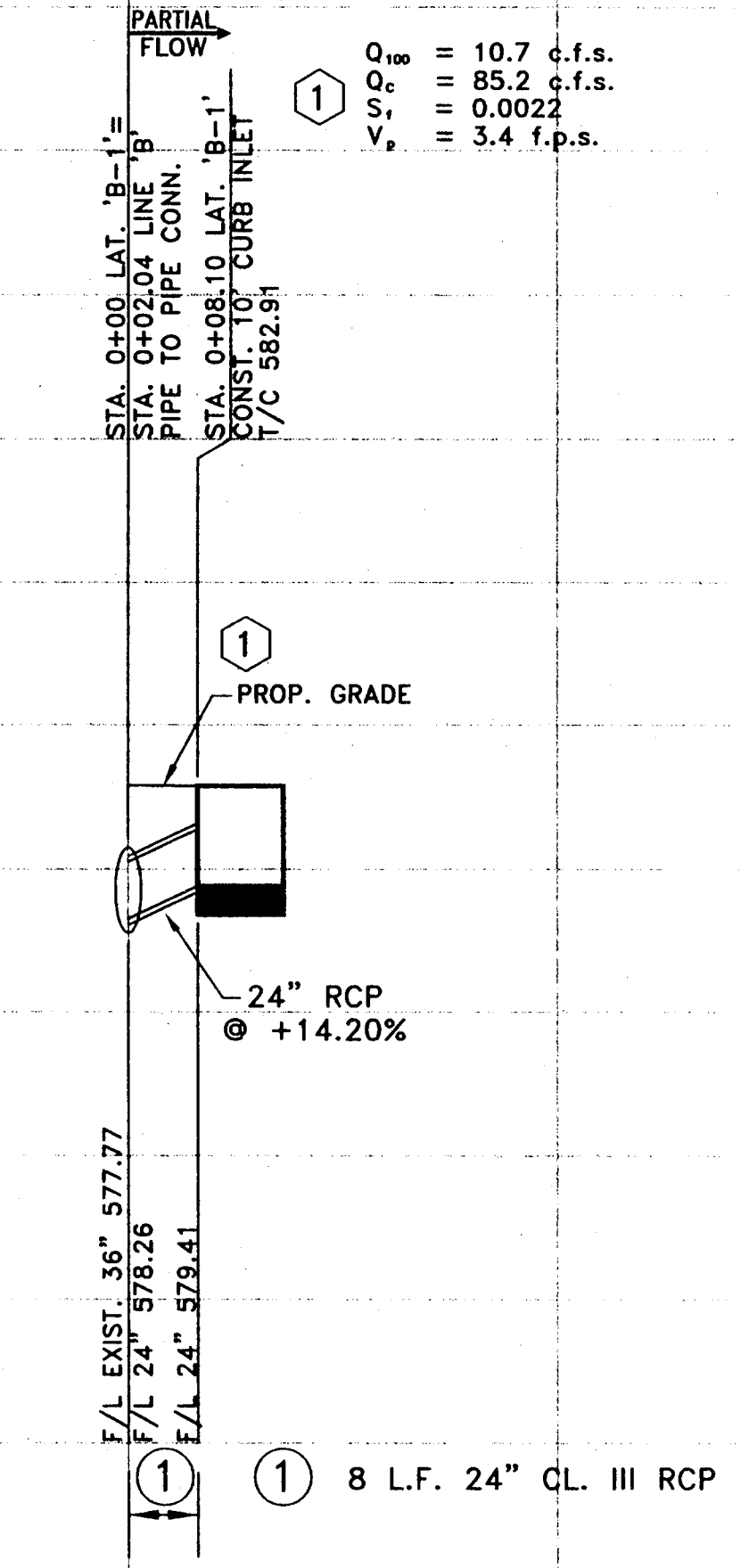
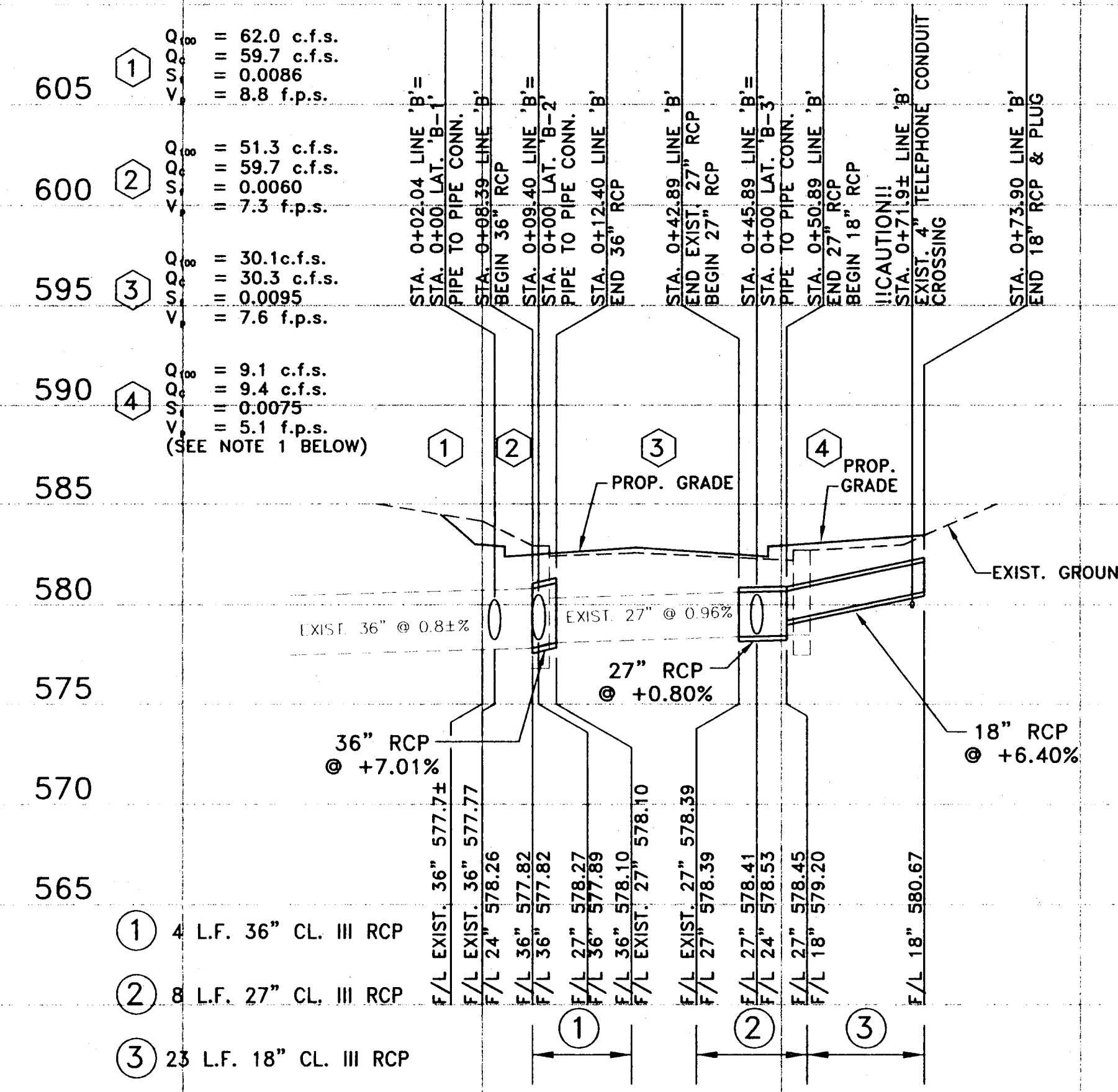
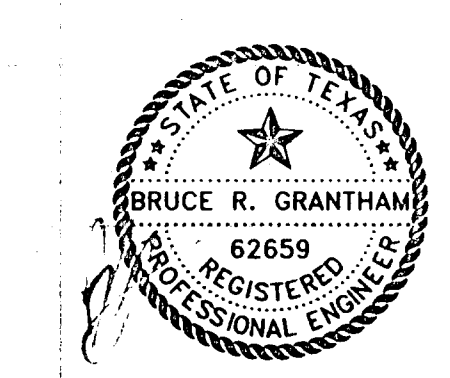
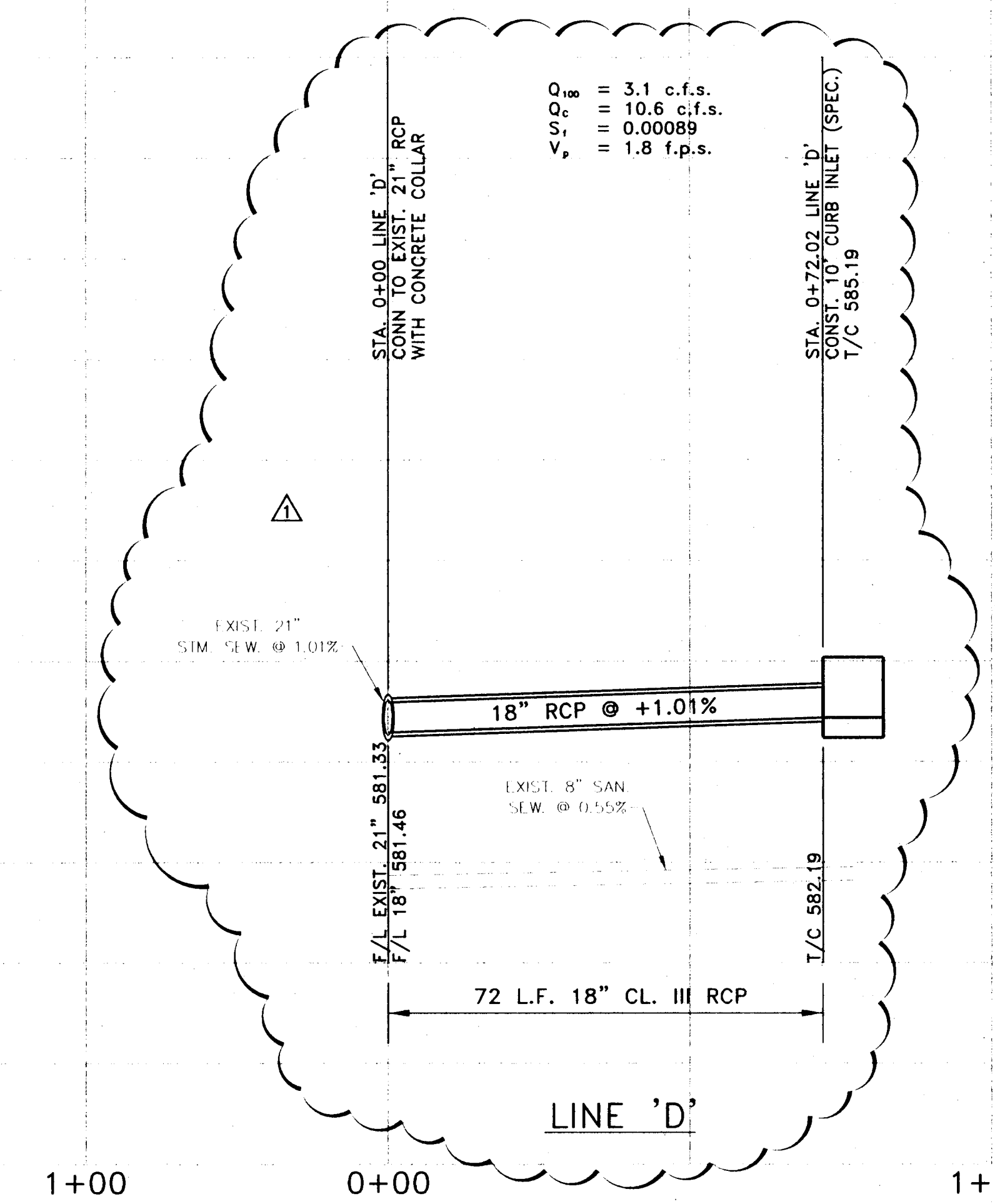
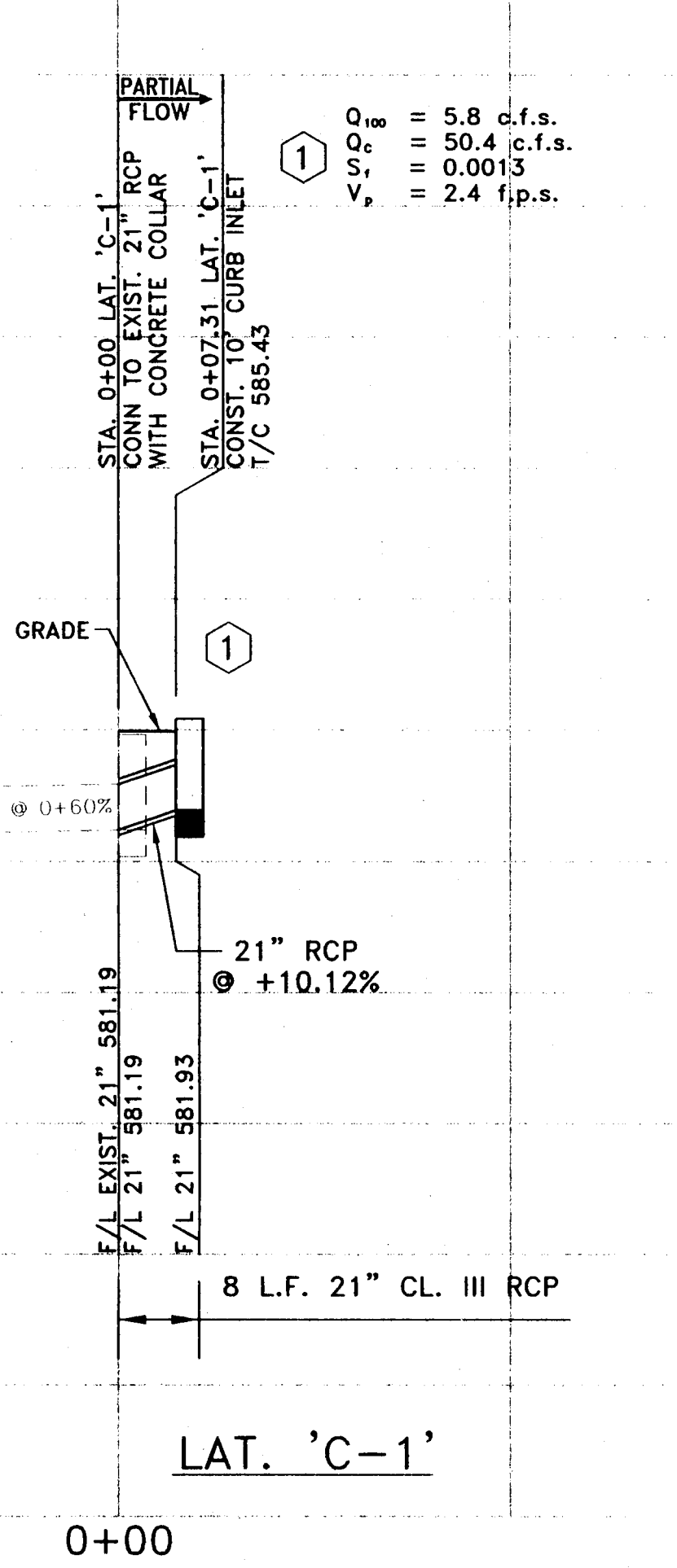
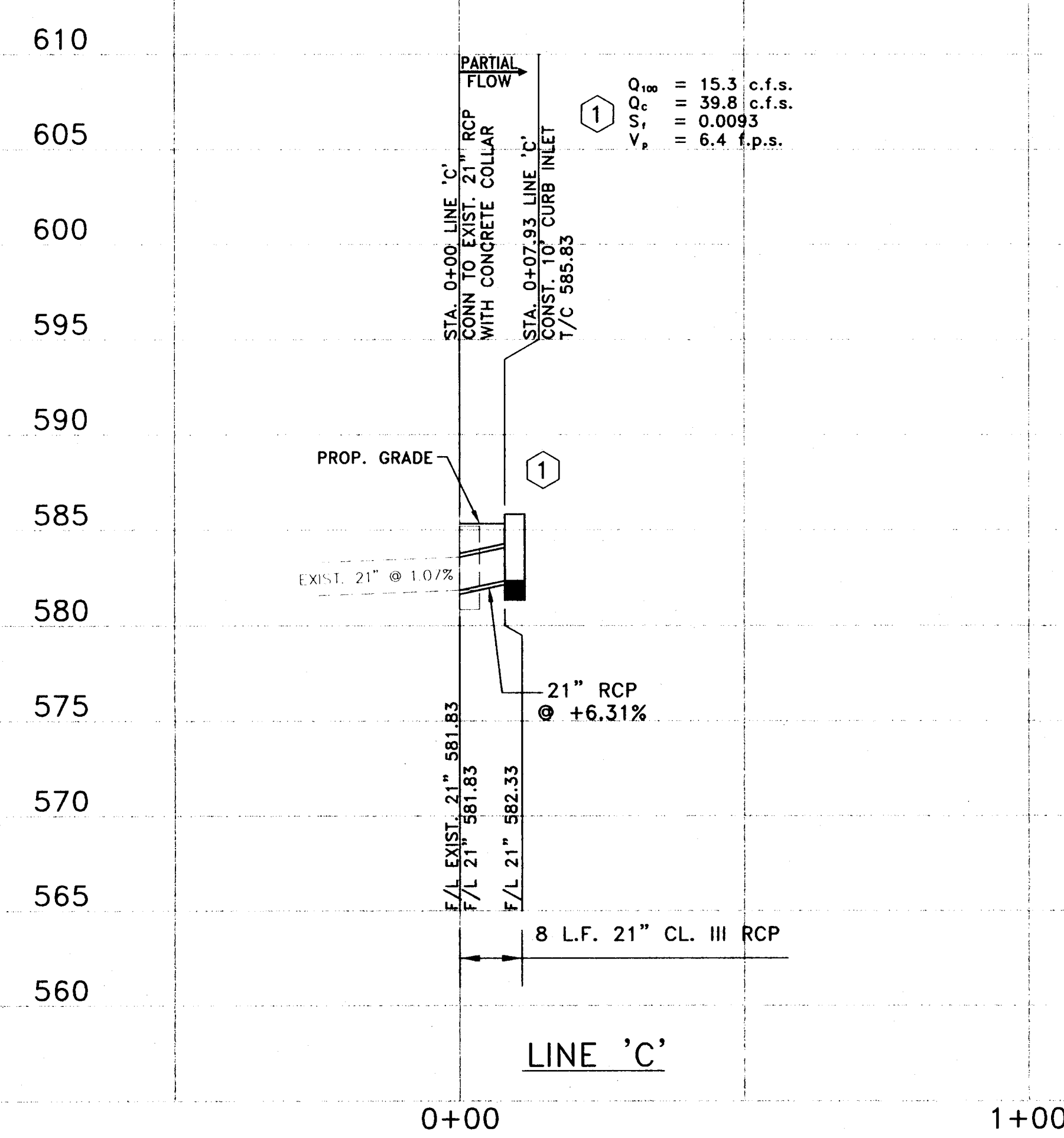


NO.	DATE	REVISION	APPROV.
1	7/19/02	ADDED LINE 'D'	BRG
2			
3			



NOTE:
1. CALCULATIONS FOR LINE 'B' ARE BASED ON THE FUTURE DEVELOPMENT AND DETENTION OF DRAINAGE AREA 1D2.



THE SEAL APPEARING ON THIS DOCUMENT WAS AUTHORIZED BY:
BRUCE R. GRANTHAM
ON 03/19/02
ALTERATION OF A SEALED DOCUMENT WITHOUT PROPER NOTIFICATION TO THE RESPONSIBLE ENGINEER IS AN OFFENSE UNDER THE TEXAS ENGINEERING PRACTICE ACT.

DATE: DECEMBER, 2001	SCALE: (H)1"=20', (V)1"=6'	JOB NO.: 00-249
DRAWN: GBW	DESIGN: BRG	REVIEWED: JFW
DWG: STMPF02.DWG		
ARAPAHO ROAD PHASE II		
STORM WATER PROFILES - SHEET 2		
TOWN OF ADDISON		
Grantham, Burge & Waldbauer Engineers, Inc. 1919 S. SHILOH ROAD, SUITE 530, LB 27 GARLAND, TEXAS 75042		SHT. SW-4 OF SW-8