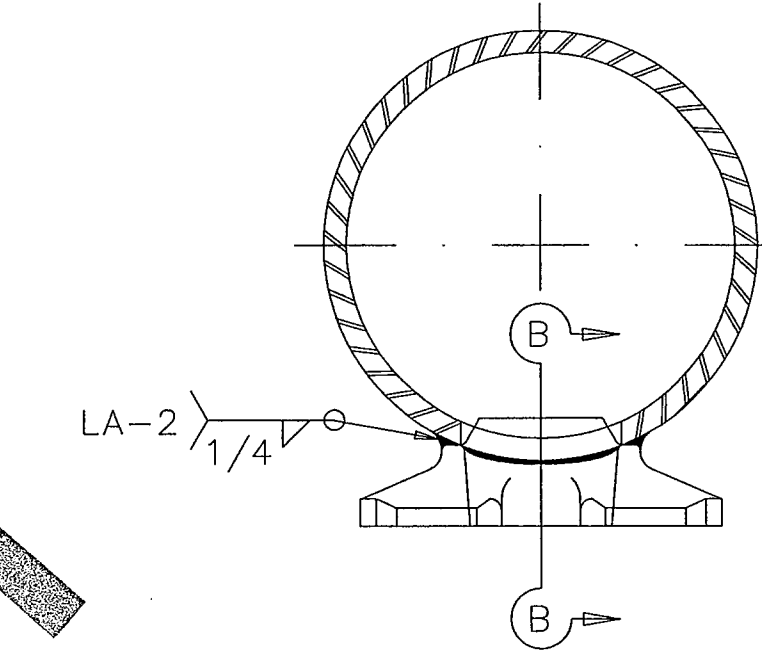
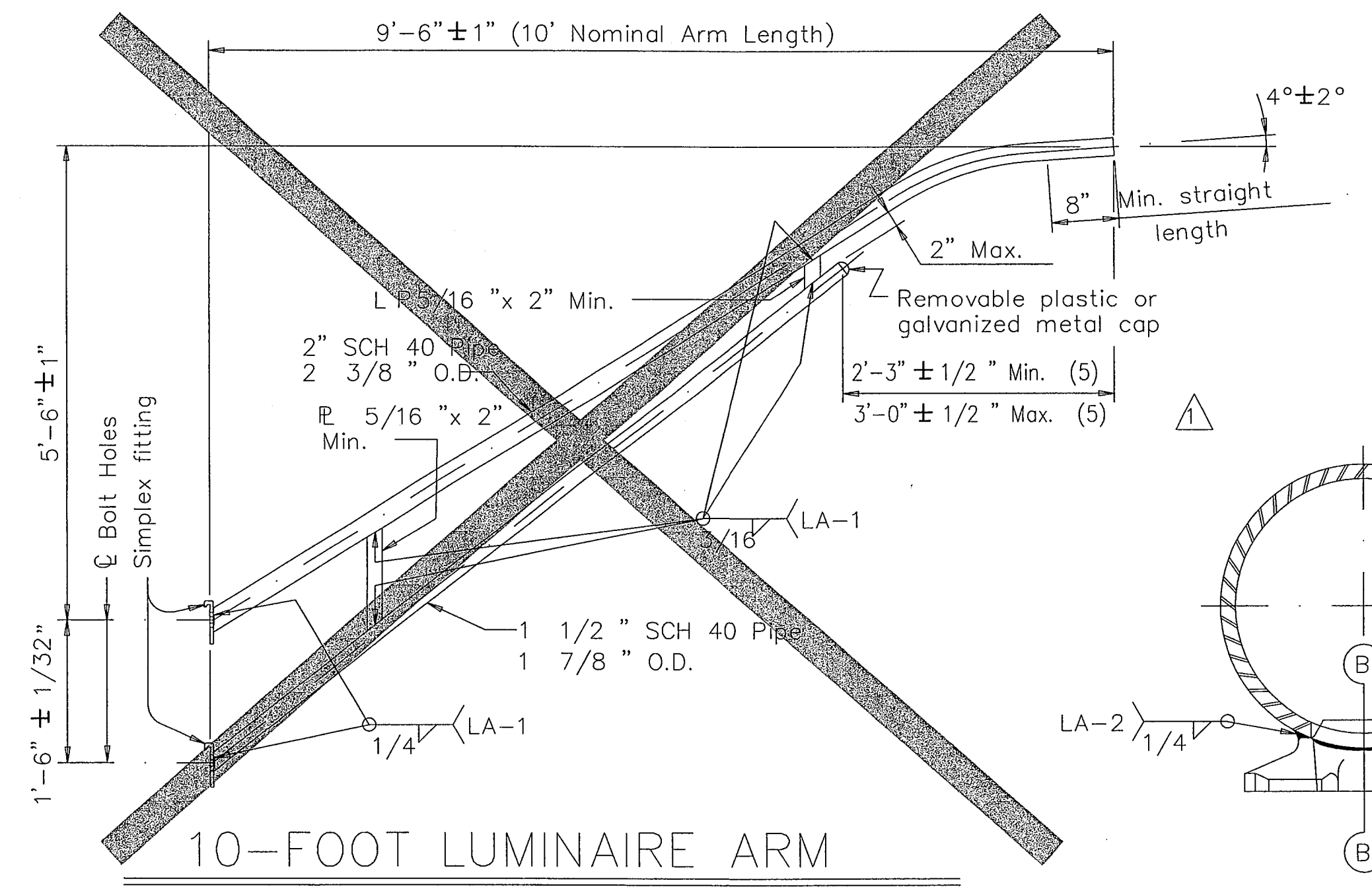
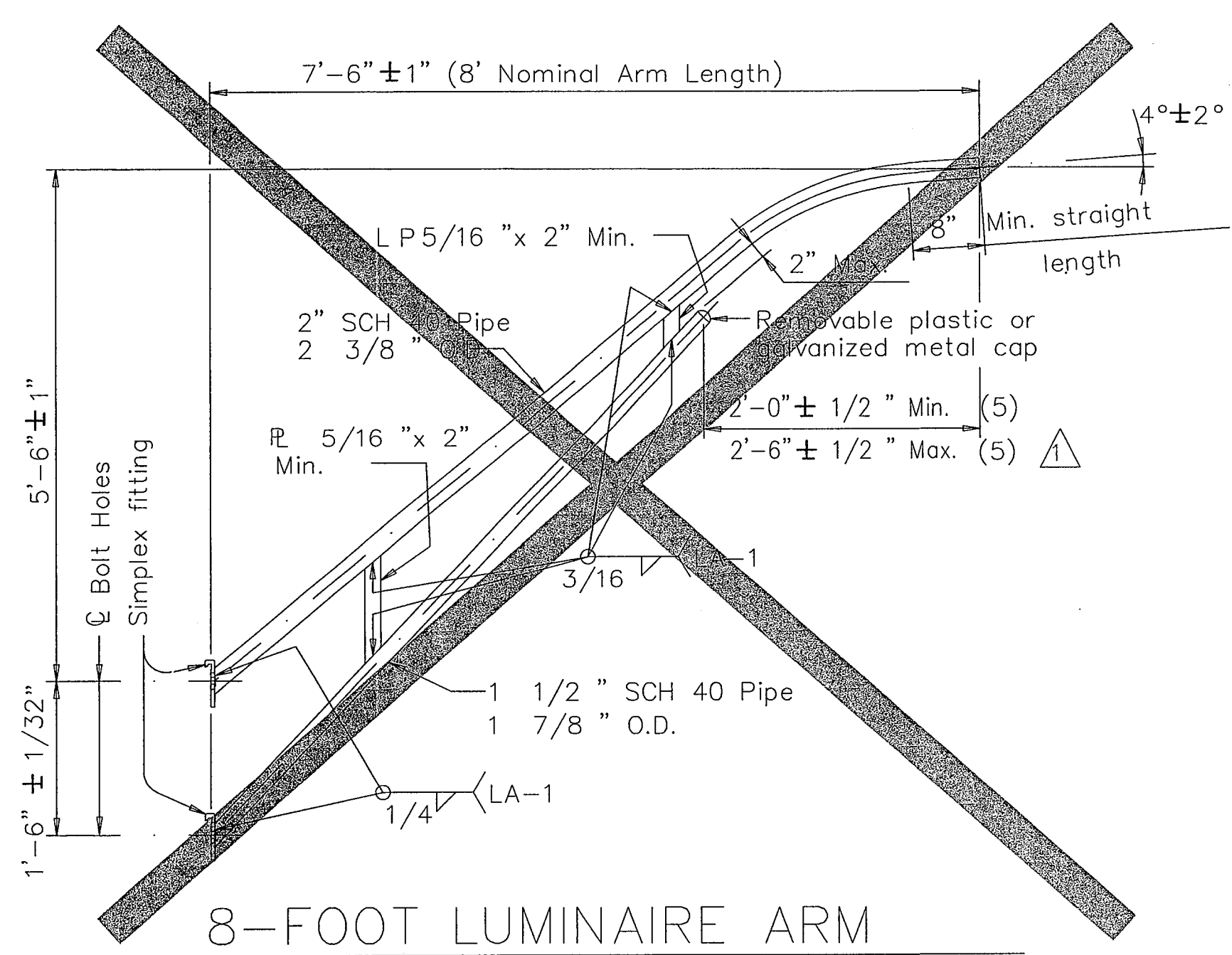


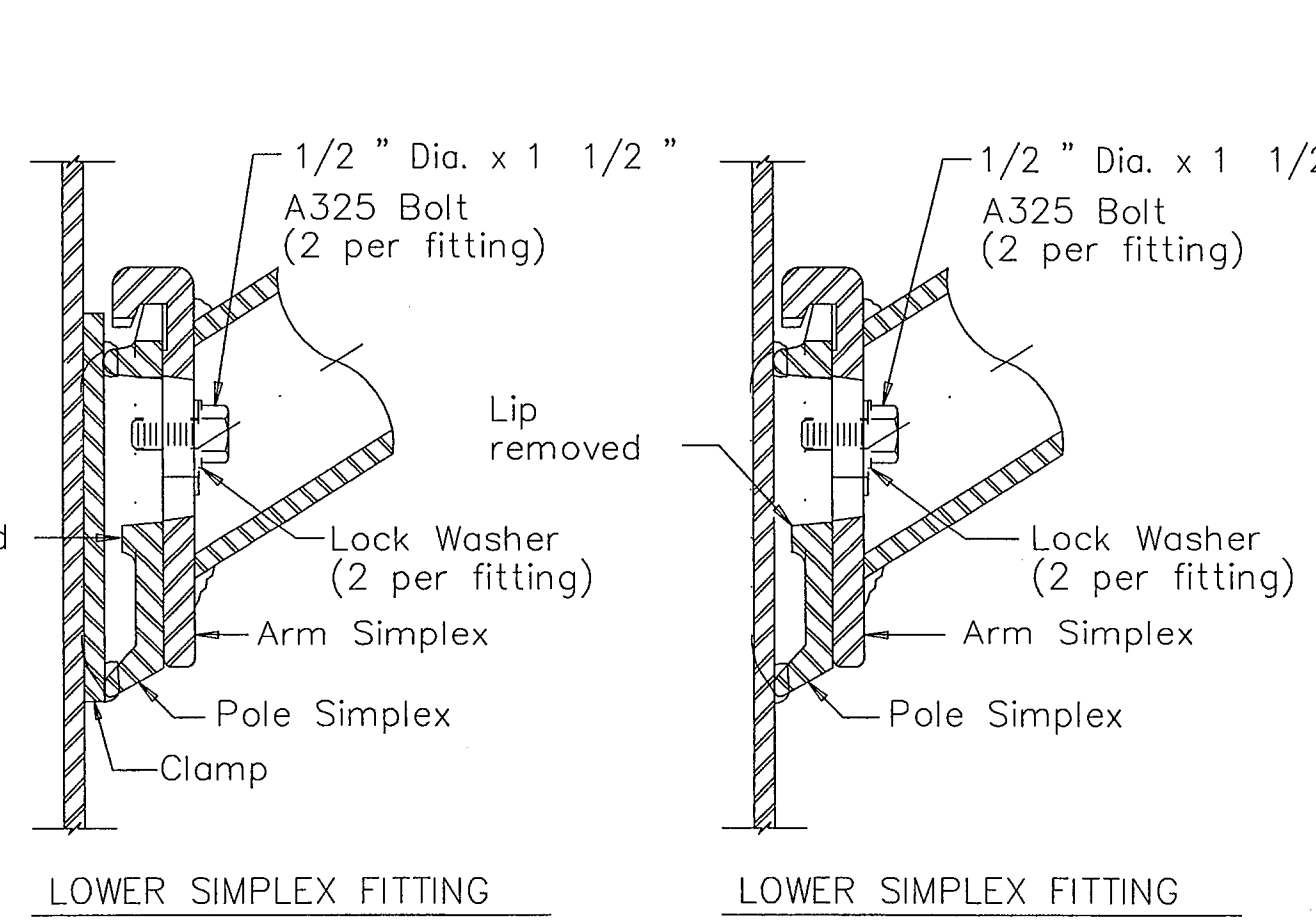
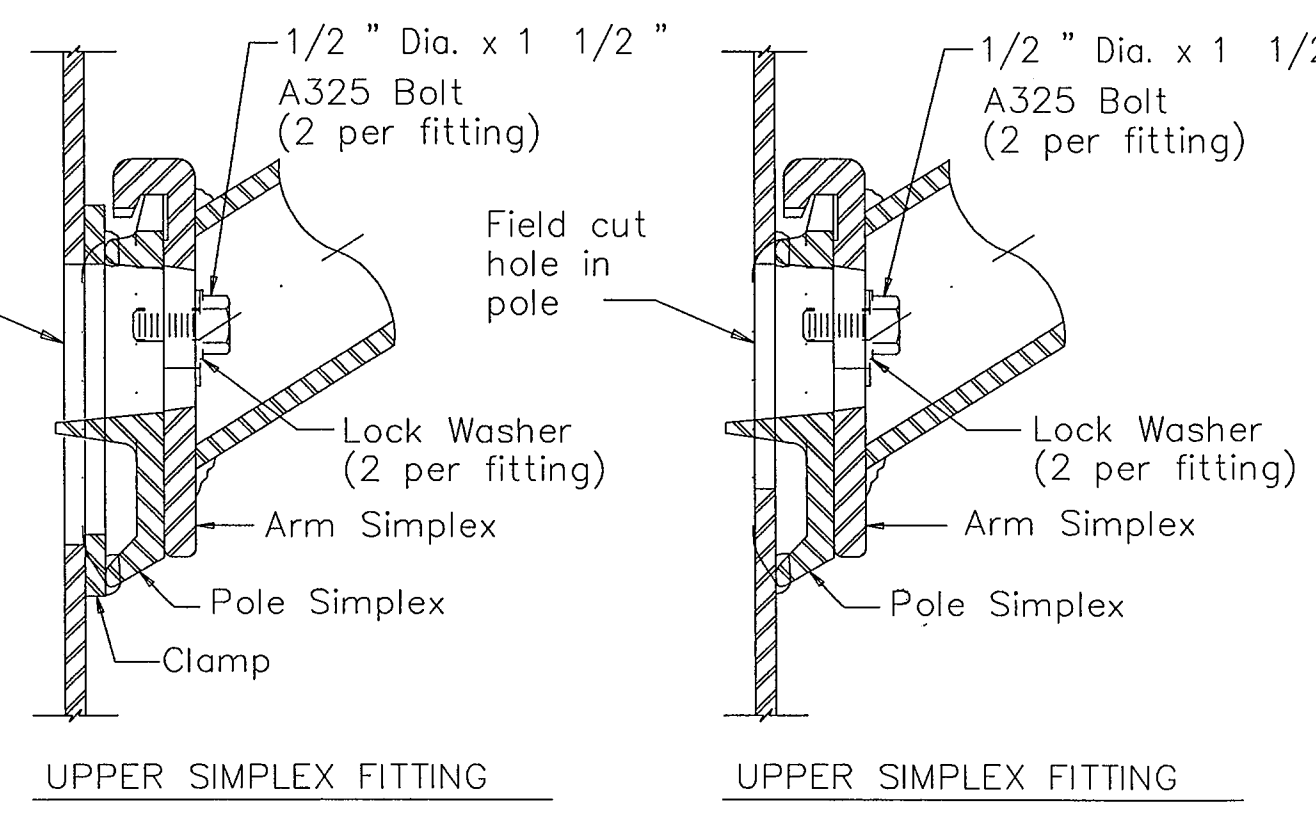
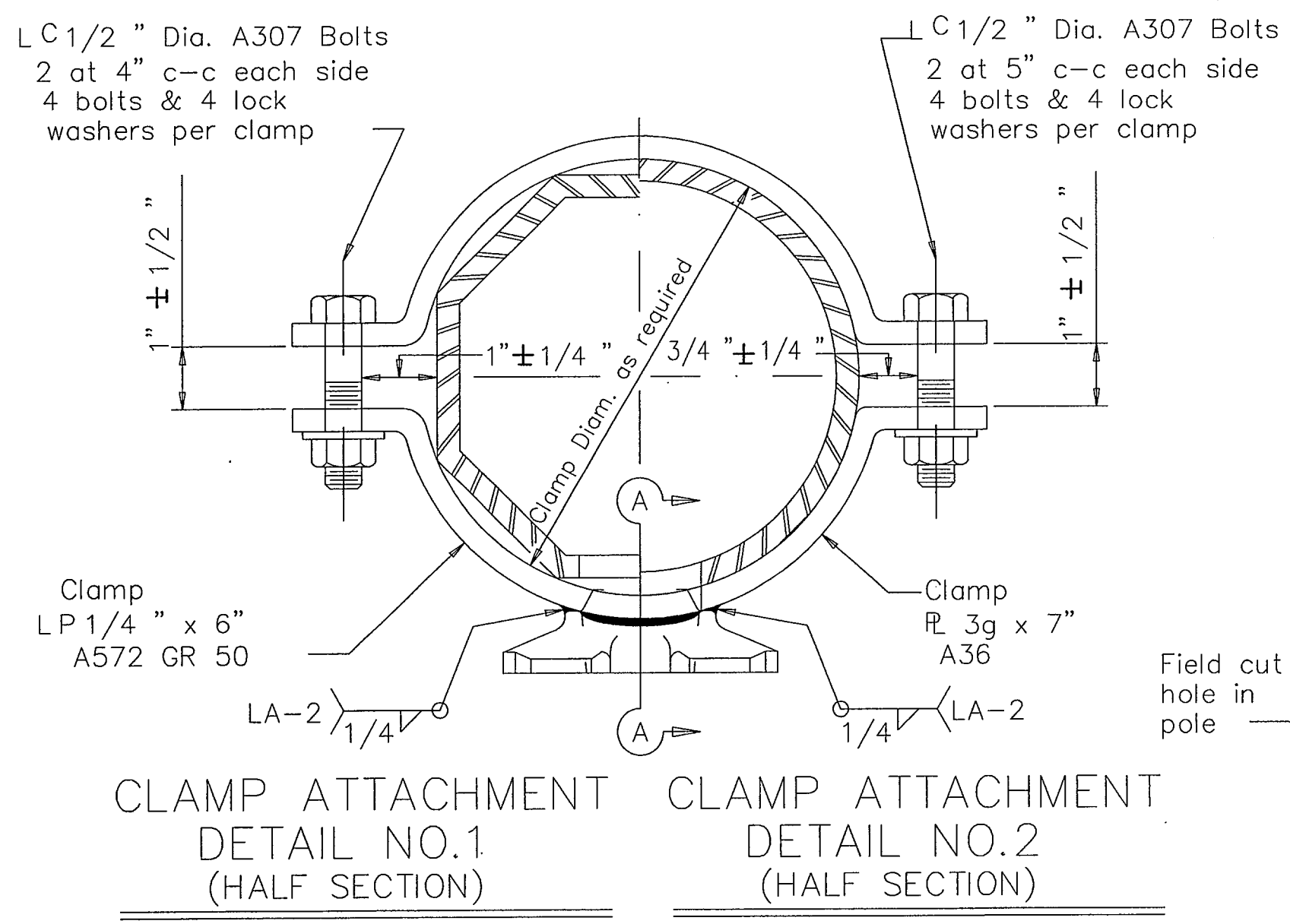
NO.	DATE	REVISION	APPROV.
1			
2			
3			

MATERIALS	
Pole or Arm Simplex	ASTM A27 GR 65-35 or A148 GR 80-50 or A576 GR 1021 (4) or A36 (Arm only)
Arm Pipes	ASTM A53 GR A or B or A500 GR B or A501 or A595 (2) or A715 GR 50
Arm Plates (3)	ASTM A36 or A572 GR50 (1) or A595 GR A or A588
Misc.	ASTM designations as noted

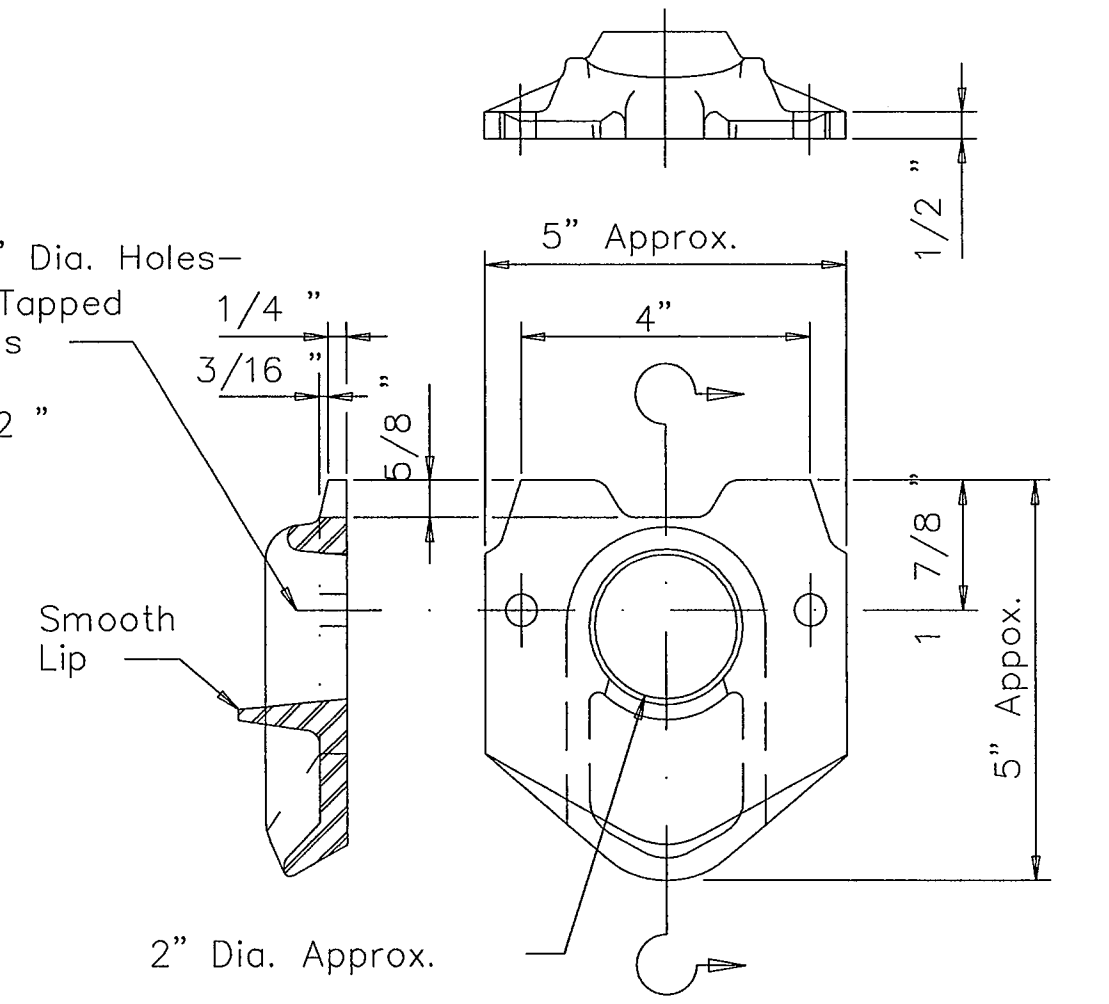


DIRECT ATTACHMENT DETAIL

- (1) ASTM A36M50 steel as described in Item 442 "Metal for Structures" may be used in lieu of A 572 GR 50.
- (2) If A595 GR A material is used, arm need not be cold worked to A595 requirements, but material must have 40 ksi minimum yield prior to fabrication.
- (3) Either of the materials listed for plates may be used where the drawings do not specify a particular ASTM designation.
- (4) A576 must be suitable for forging and also meet minimum tensile strength of 65 ksi, minimum yield of 35 ksi, and elongation in 2 inches of 22 percent.
- (5) Dimensional limits are given to show acceptable variation in design. All of a Fabricator's production of a particular arm length shall have the same dimensions within specified tolerances.



SECTION A-A SECTION B-B



POLE SIMPLEX DETAIL

GENERAL NOTES:

Design conforms to 1994 AASHTO Standard Specifications for Structural Supports for Highway Signs, Luminaires, and Traffic Signals and Interim Revisions thereto. Design Wind Speed equals 90 mph plus a 1.3 gust factor. Arms are designed to support a 75 lb. luminaire having an effective projected area (actual area times drag coefficient) of 1.5 sq. ft.

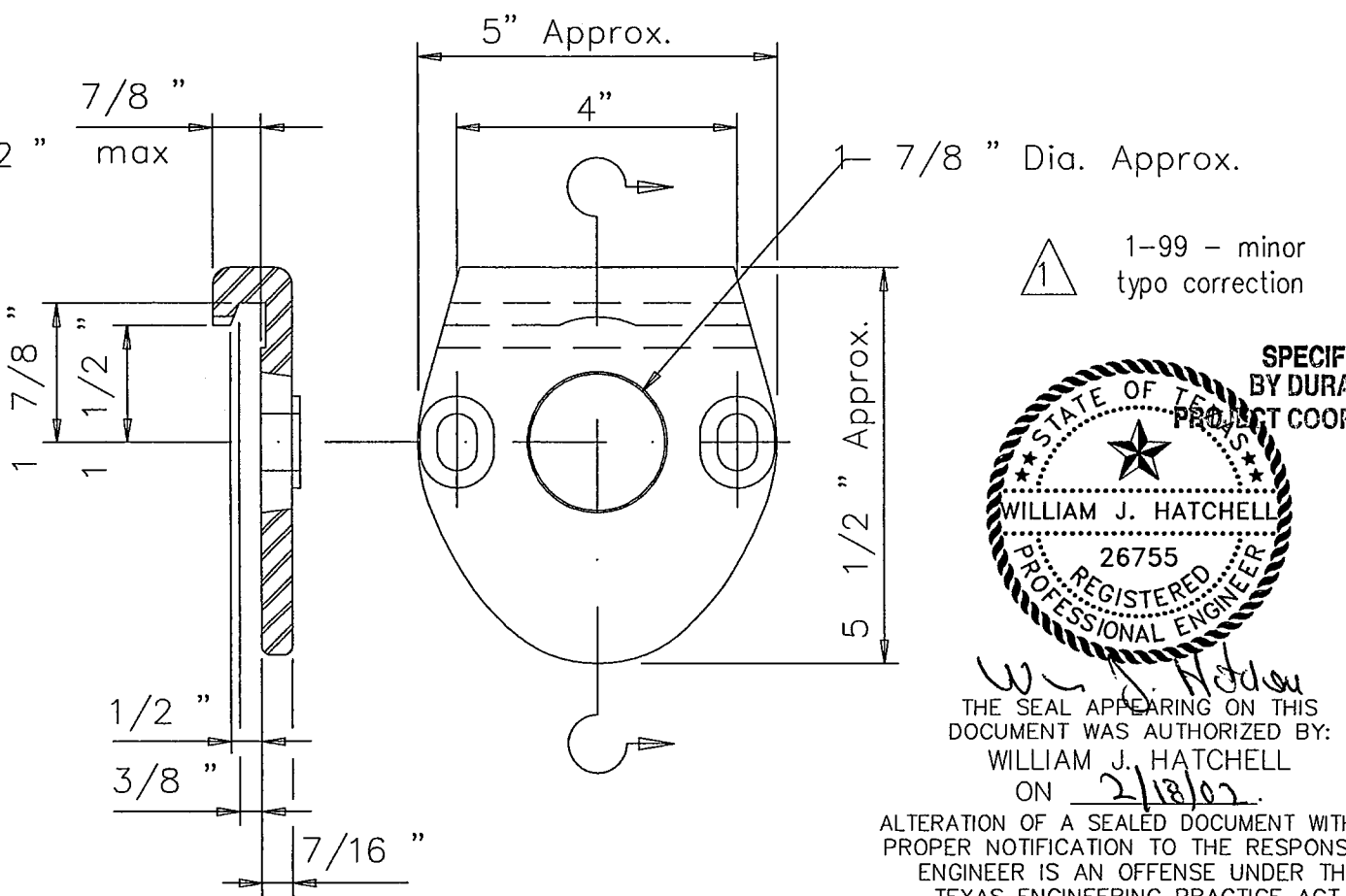
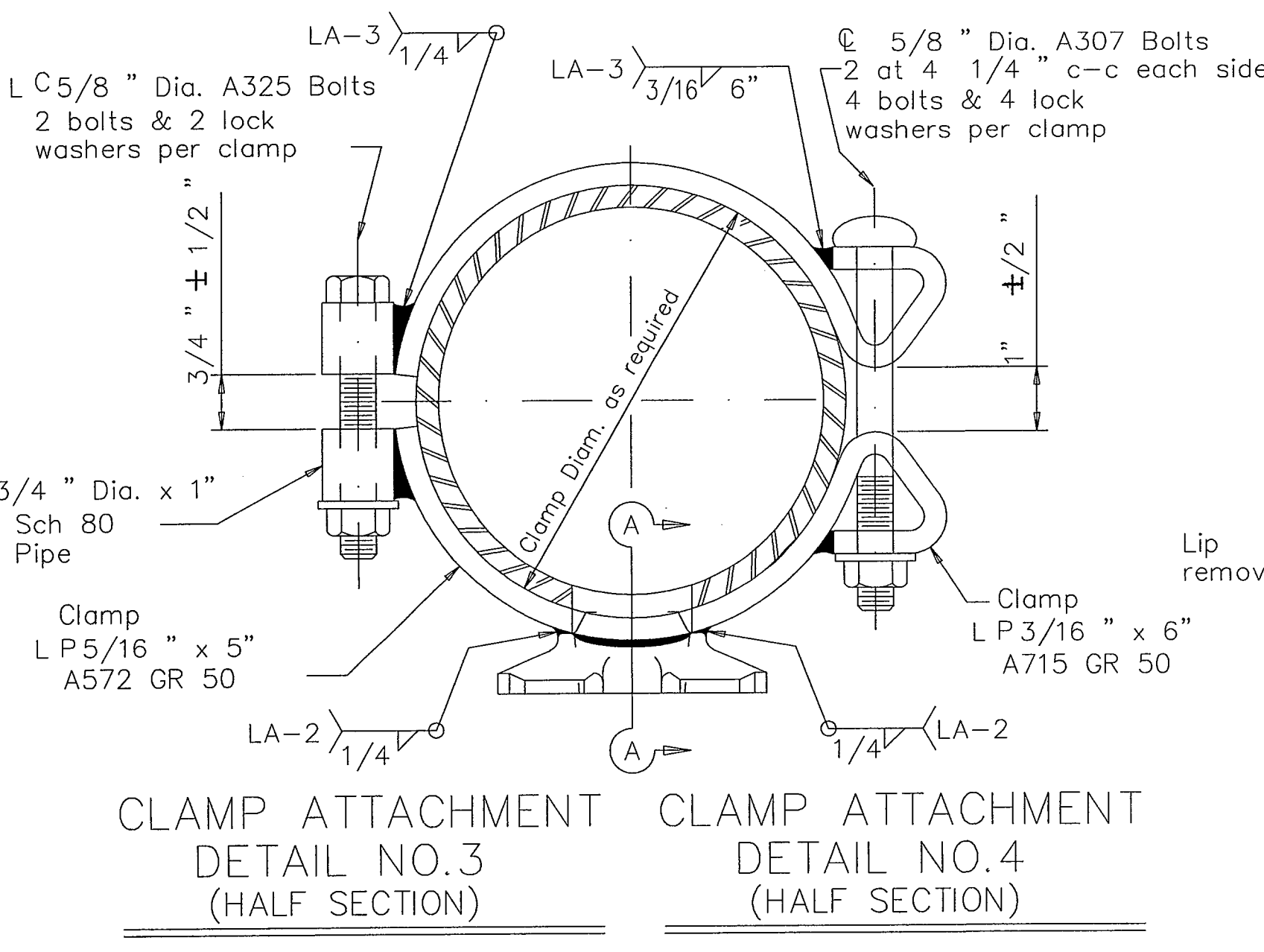
Materials and fabrication shall be in accordance with the Specifications and with the details, dimensions, and weld procedures shown herein. Weld references call for preapproved weld procedures which the Fabricator must obtain prior to fabrication. In the absence of specified Fabricator tolerances, dimensions shall be within the tolerances generally obtainable in normal fabrication practice.

Unless otherwise noted, all parts shall be galvanized after fabrication in accordance with the Specifications.

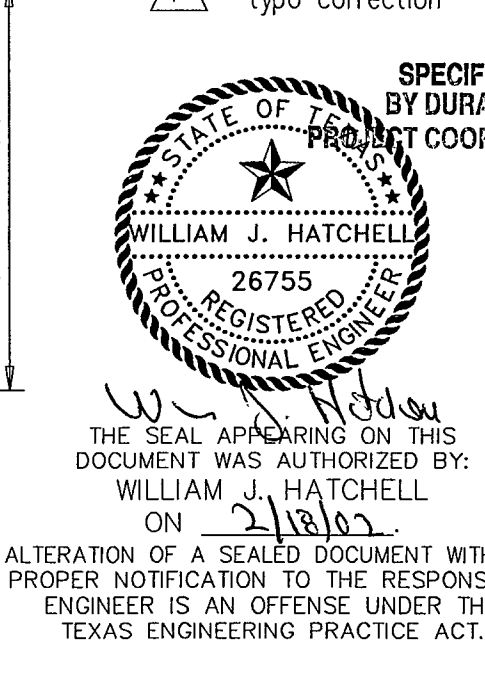
Special designs require submission of shop drawings in accordance with the item "Steel Structures".

Each pole simplex fitting shall be supplied with 2 A325 bolts and 2 lock washers of the size specified. The bolts and lock washers shall be secured to the pole with the other hardware items called for in the plans. When clamp attachment is specified, the Fabricator shall ship the clamp assembly securely attached to the pole at the location shown on the plans.

If clamp assemblies are ordered without poles, the Fabricator shall ship one upper and one lower clamp assembly together in a single package, including all nuts and washers required for the clamps and simplex fittings.



ARM SIMPLEX DETAIL



DATE: DECEMBER, 2001 SCALE: NOT TO SCALE JOB NO.: 00-249
 DRAWN: GBW DESIGN: WJH REVIEWED: DWG: 249DETAILS-ELEC

ARAPAHO ROAD PHASE II
STANDARD CONSTRUCTION DETAILS
SUPPORT STRUCTURES - ARM DETAILS

TOWN OF ADDISON

Grantham, Burge & Waldbauer
 Engineers, Inc.
 1919 S. SHILOH ROAD, SUITE 530, L.B. 27
 GARLAND, TEXAS 75042 (972) 840-1916 (TEL)
 (972) 840-2156 (FAX)

SHT. TS-14 OF TS-21

THIS DETAIL SHEET WAS OBTAINED FROM TXDOT