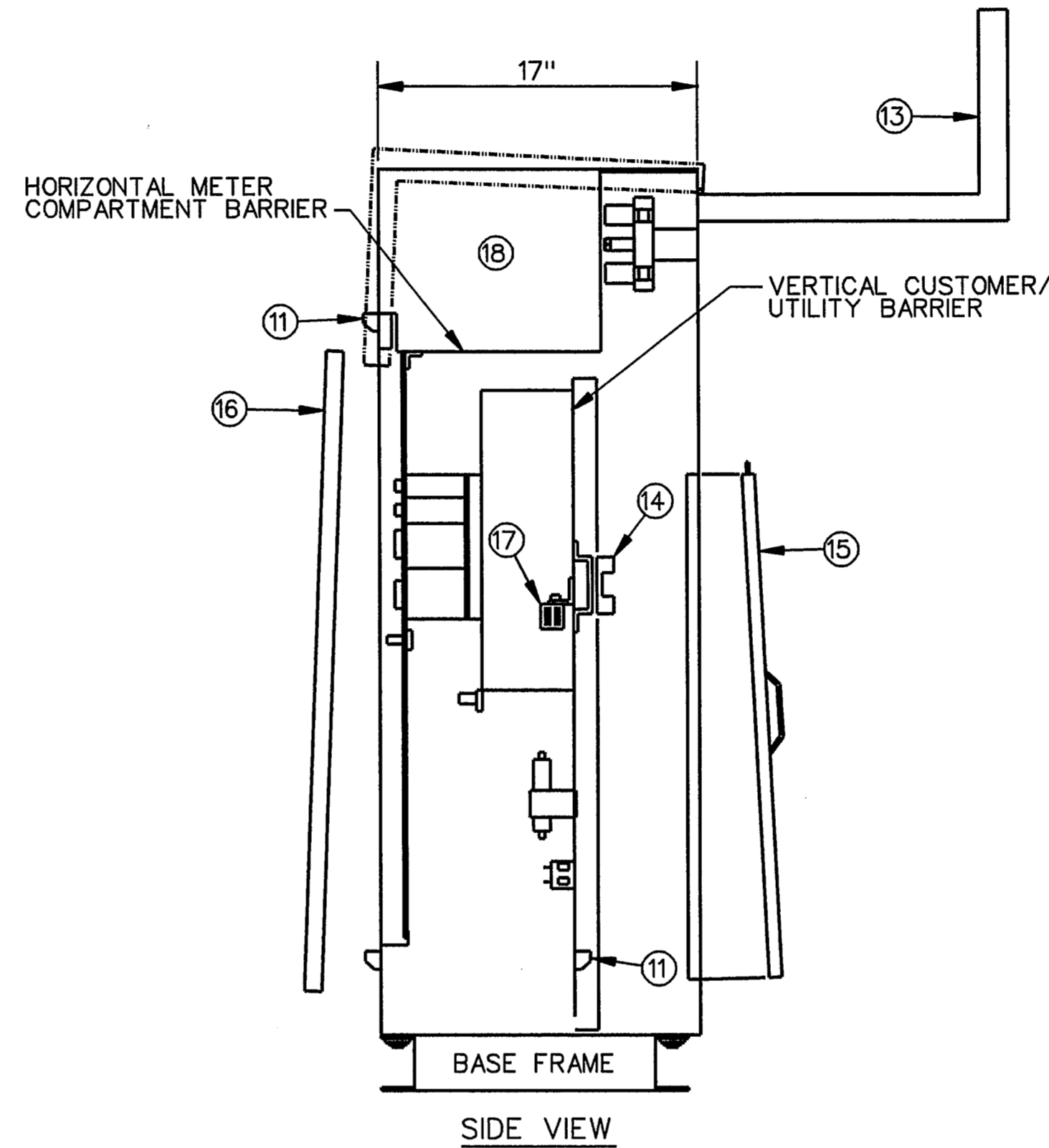
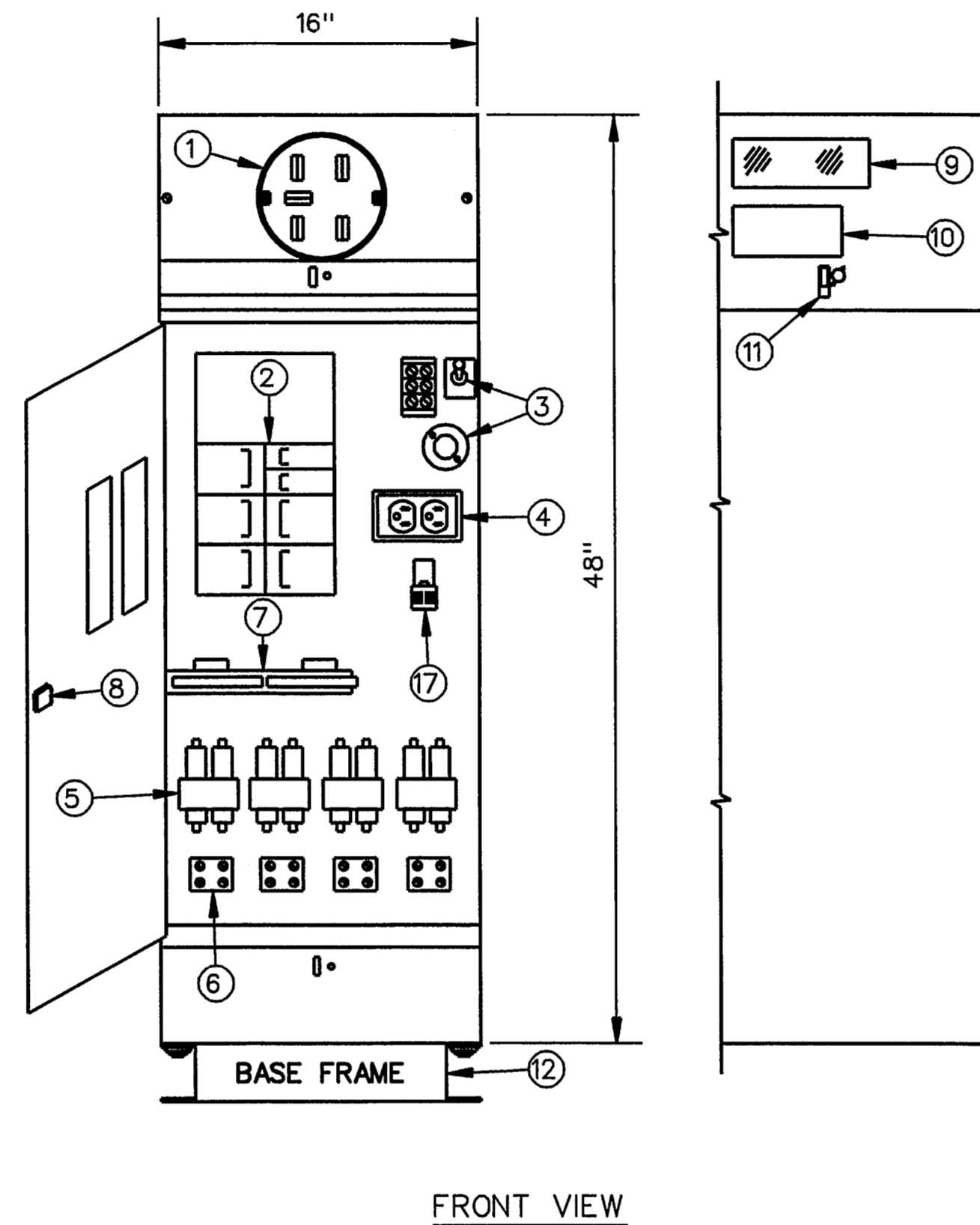
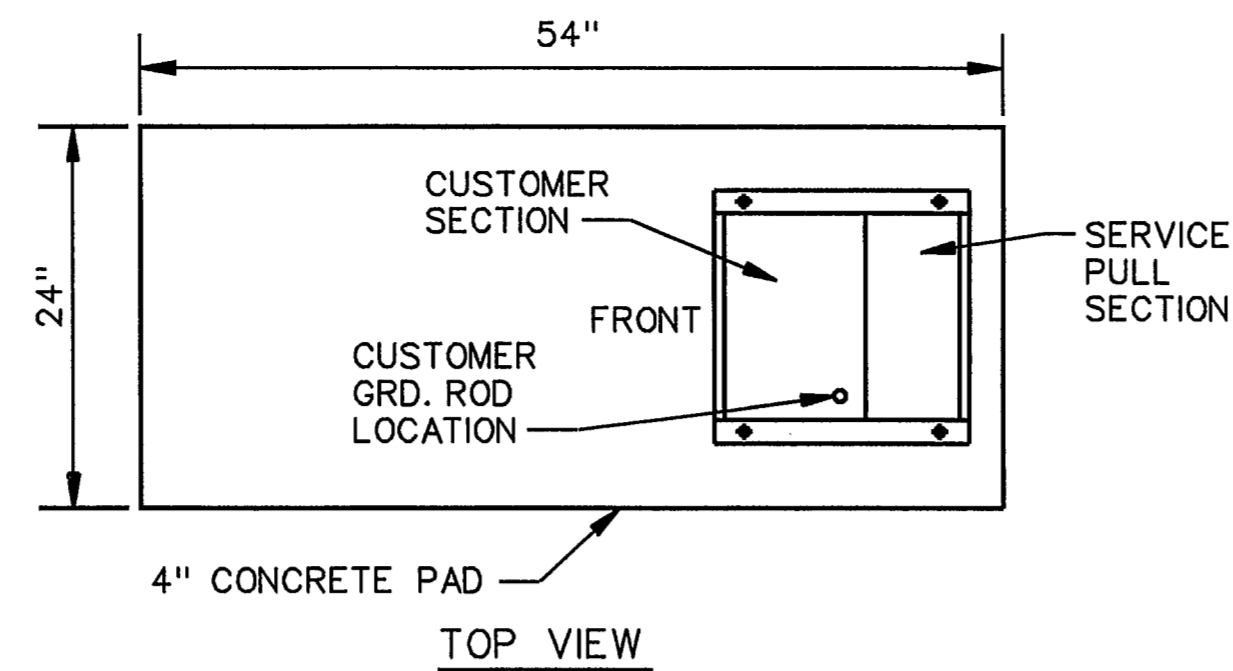
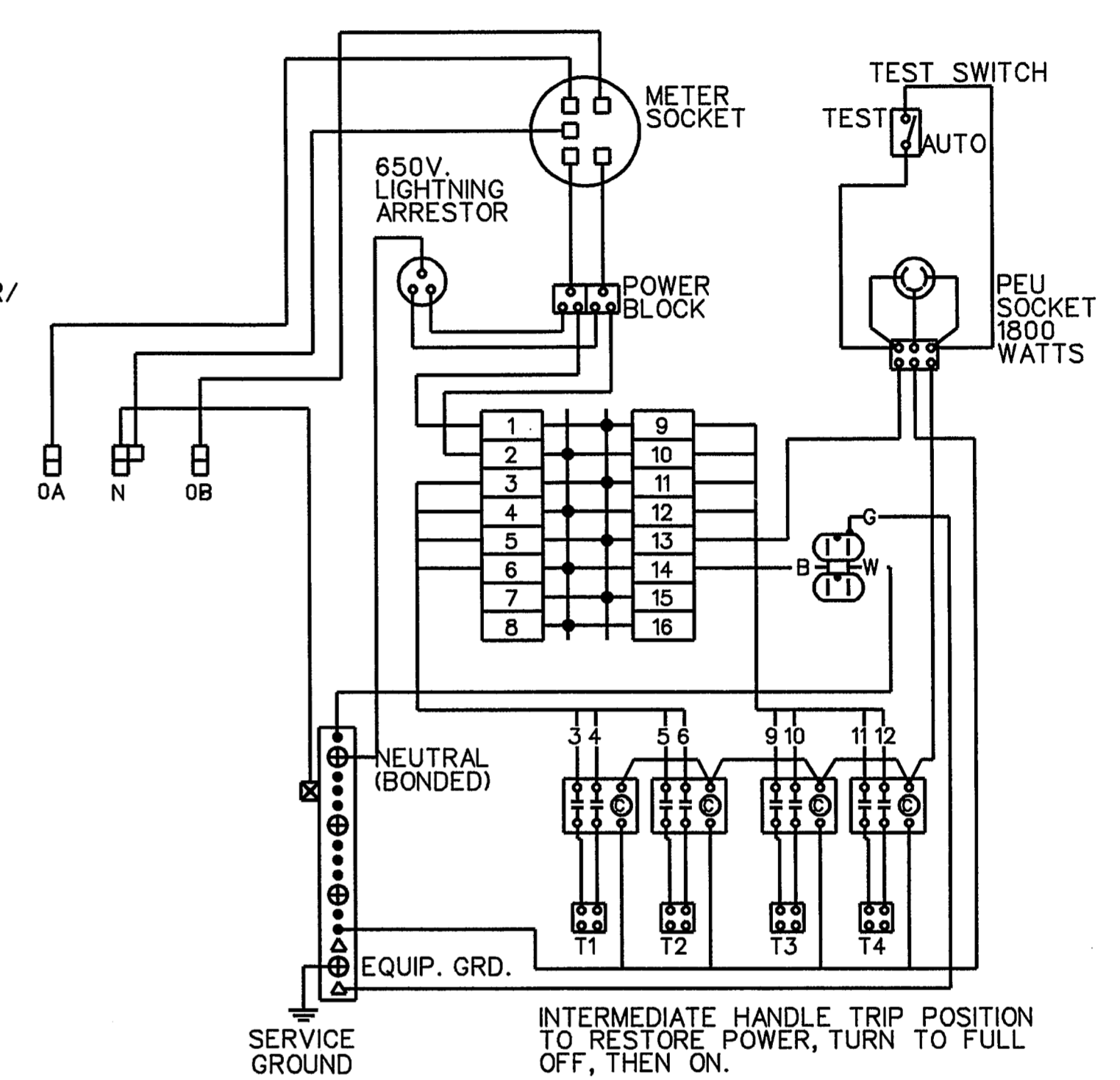
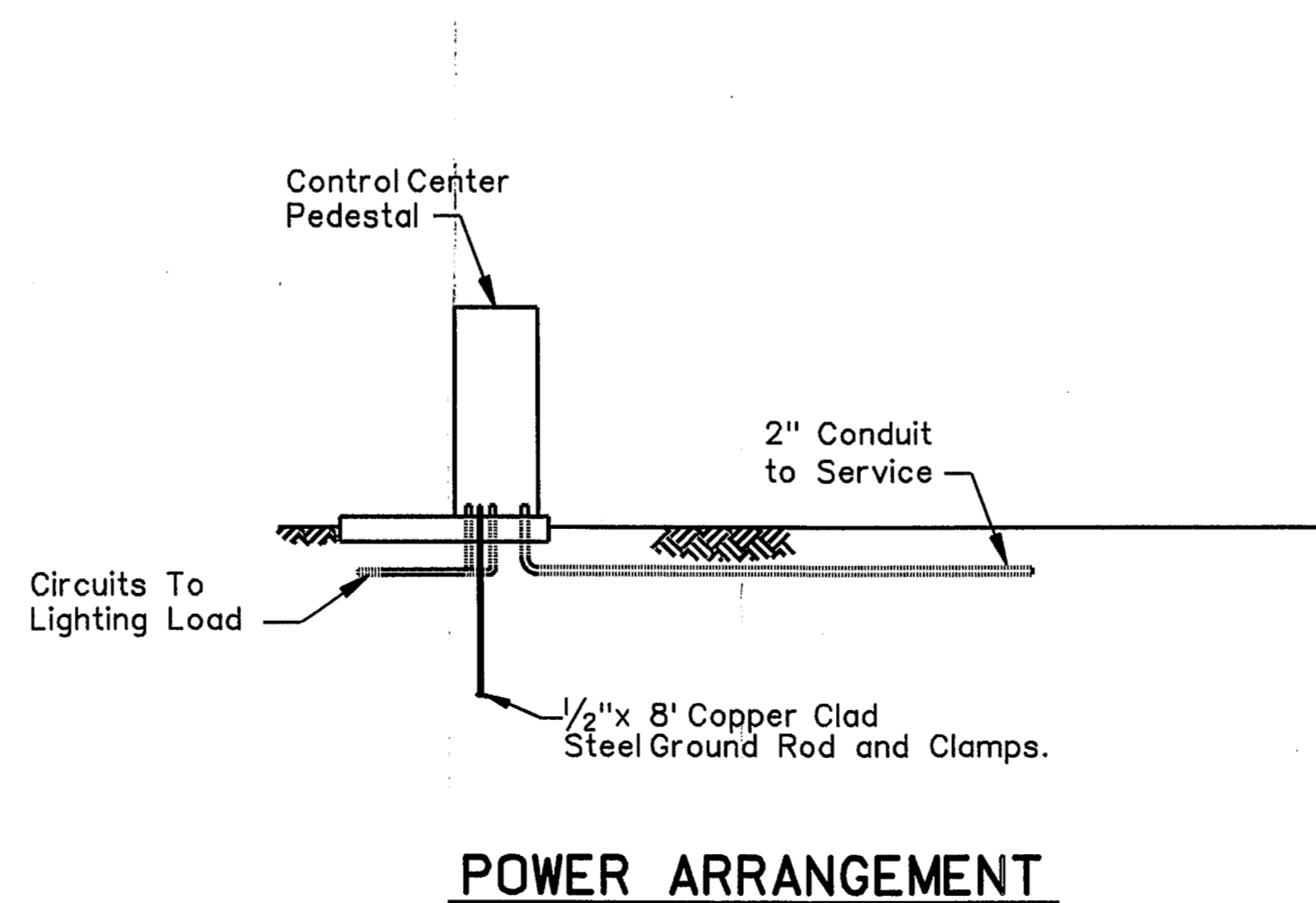


NOTES TO CABINET DETAILS

- ① U.L. RECOGNIZED METER SOCKET AS PER UTILITY REQUIREMENTS.
- ② U.L. RECOGNIZED 16 CIRCUIT COPPER PLUG-ON INTERIOR SUPPLIED WITH U.L. LISTED 100 AMP TWO-POLE SERVICE DISCONNECT.
- ③ U.L. RECOGNIZED PHOTO ELECTRIC RECEPTACLE FACTORY WIRED TO U.L. RECOGNIZED TERMINAL BLOCK. U.L. LISTED TWO POSITION TEST SWITCH CONNECTED IN SERIES WITH PHOTO ELECTRIC RECEPTACLE.
- ④ U.L. LISTED 20 AMP DUPLEX RECEPTACLE PROTECTED BY A G.F.C.I. CIRCUIT BREAKER.
- ⑤ U.L. LISTED 30 AMP LIGHTING RELAYS FACTORY WIRED FROM 30 AMP TWO POLE CIRCUIT BREAKERS.
- ⑥ U.L. RECOGNIZED TWO POSITION 175 AMP, 600 VOLT, TERMINAL BLOCKS FACTORY WIRED FROM LOAD TERMINALS OF LIGHTING RELAYS. TERMINAL BLOCKS SHALL ACCEPT A MAXIMUM OF #2/0 AWG CONDUCTORS.
- ⑦ FACTORY BONDED NEUTRAL ASSEMBLY SHALL CONSIST OF U.L. RECOGNIZED MULTI-POSITION TERMINAL BARS. ADDITIONAL POSITIONS PROVIDE FOR SERVICE GROUND AND EQUIPMENT GROUND CONDUCTORS. NEUTRAL TERMINALS SHALL ACCEPT A MAXIMUM OF #1/0 AWG CONDUCTORS.
- ⑧ FULLY HINGED 16 GAUGE ZINC COATED DEADFRONT, PROVIDED WITH A HALF TURN LATCH FOR QUICK ACCESS TO THE CUSTOMER SECTION.
- ⑨ METER READING WINDOW CONSISTS OF 3/16" THICK BY 2 1/2" HIGH BY 6" WIDE HEAT-TREATED GLASS.
- ⑩ OUTSIDE NAMEPLATE OF .025" THICK ALUMINUM. STAMPED WITH CATALOG NUMBER, AMPERAGE AND VOLTAGE INFORMATION.
- ⑪ PADLOCK BRACKET WITH 7/16" DIAMETER HOLE FOR ADDED SECURITY PROVIDED FOR THE METER HINGED COVER, THE CUSTOMER COVER AND THE UTILITY PULL SECTION COVER.
- ⑫ BASE FRAME CONSTRUCTED OF TWELVE GAUGE ZINC COATED STEEL, FINISHED WITH THE SAME GREEN POWDER AS THE ENCLOSURE. BASE PROVIDED WITH WELD NUT AND THE APPROPRIATE HARDWARE FOR ATTACHING THE PEDESTAL TO THE BASE. HARDWARE ACCESSIBLE ONLY FROM INSIDE THE CUSTOMER AND UTILITY COMPARTMENTS. BASE HAS PROVISIONS FOR OPTIONAL GALVANIZED 5/8-11 X 18" LONG ANCHOR BOLT KIT, CATALOG NUMBER CP-ABK-5/8.
- ⑬ PERMANENTLY ATTACHED HINGED METER COVER SHALL OPEN 180 DEGREES TO REST POSITION ALLOWING FULL ACCESS TO METER SOCKET AREA.
- ⑭ U.L. RECOGNIZED 200 AMP RATED SERVICE TERMINATION LANDING ASSEMBLY SHALL BE U.L. LISTED WIRING TERMINALS MOUNTED ON 1/4" THICK ELECTRO TIN PLATED ALUMINUM BUS, SUPPORTED BY A 600 VOLT RATED GLASS REINFORCED INSULATING MOUNTING CHANNEL. TERMINALS SHALL BE 1 3/4" AWAY FROM THE STEEL BARRIER WHICH SEPARATES THE UTILITY AND CUSTOMER SECTIONS. WIRING TERMINALS SHALL BE FASTENED FROM THE FRONT FOR EASE OF REMOVAL.
- ⑮ UTILITY SERVICE TERMINATION COMPARTMENT COVER PROVIDED WITH A HANDLE FOR SAFE HANDLING, AND SECURED BY A TAMPER-RESISTANT SCREW AND PROVISION FOR PADLOCK.
- ⑯ CUSTOMER SECTION COVER SHALL HAVE A PRODUCT WIRING DIAGRAM ATTACHED ON THE INSIDE SURFACE WITH A PLASTIC POCKET AND CLEAR ADHESIVE TAPE. DIAGRAM CONTAINS PRODUCT RATING, CATALOG NUMBER AND WIRING SCHEMATIC ILLUSTRATION.
- ⑰ U.L. LISTED "LIGHTNING PROTECTIVE DEVICE" FACTORY WIRED TO SERVICE ENTRANCE LANDING.
- ⑱ WRENCH FOR TAMPER RESISTANT SCREW STORED IN METER COMPARTMENT.



CONTROL CENTER CABINET DETAILS



CONTROL CENTER WIRING DIAGRAM

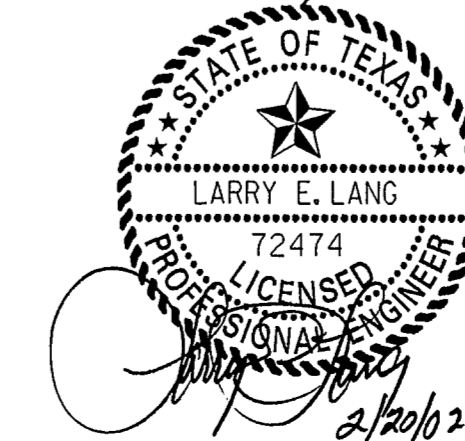
- NOTES:
- 1. The secondary breaker for the photo-cell circuit shall be 15 Amp. single pole.
 - 2. The wiring for the load and line side of the power block shall be #2 AWG.
 - 3. The wiring for the control circuit shall be #12 AWG.
 - 4. The power center enclosure shall be Meyer, Unicorn or approved equal.

19-FEB-2002

J:\25768\DWCS\DTL1.dgn

25768

BUILT AS PER SPECIFICATIONS AND PLANS BY DURABLE CONCRETE SYSTEMS INC. PROJECT COORDINATOR: *[Signature]*



NO. DATE		REVISION		APPROV.
HNTB ARCHITECTS ENGINEERS PLANNERS <i>The HNTB Companies</i>				
ARAPAHO ROAD - PHASE II				
MARSH LANE TO SURVEYOR BOULEVARD				
ELECTRICAL DETAILS				
TOWN OF ADDISON, TEXAS				
Design JGS	Drawn TGM	DATE	SCALE	PROJECT NO. SHEET NO.
Check LEL	Check JGS	OCT 11		25768 1L-6