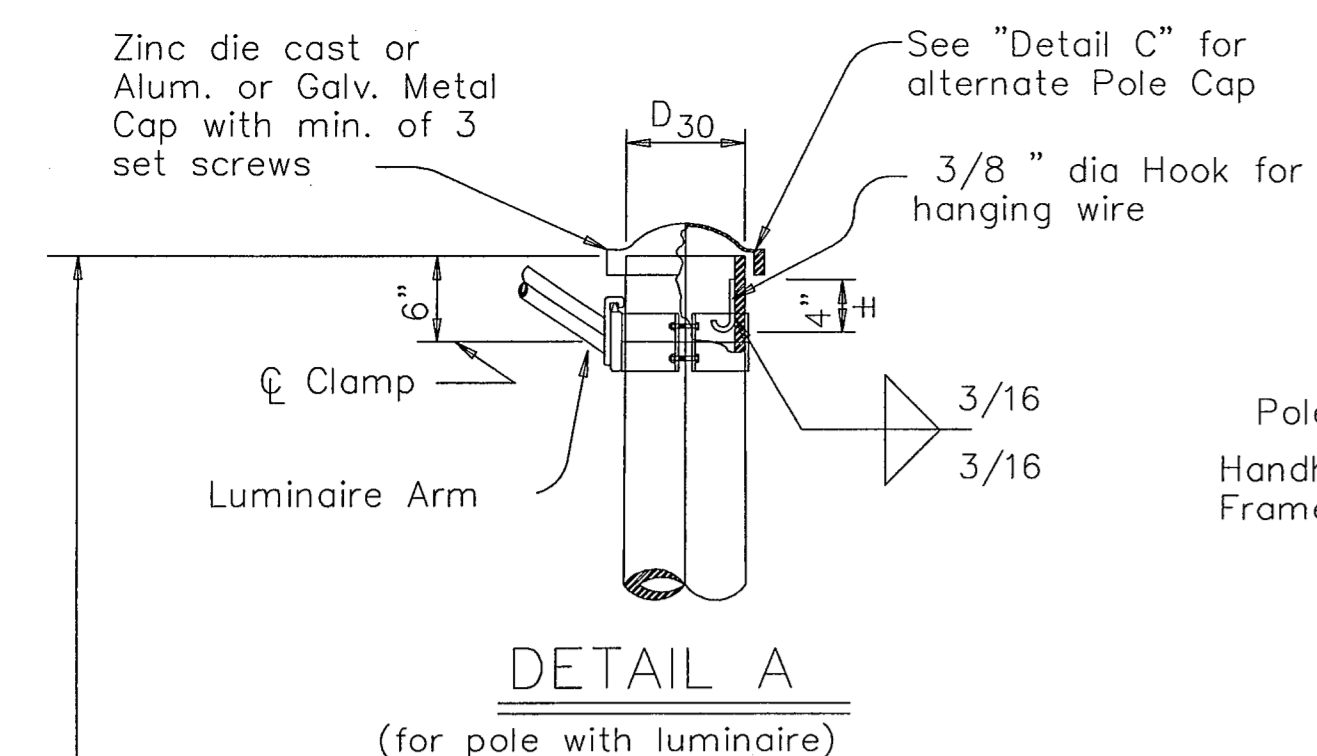
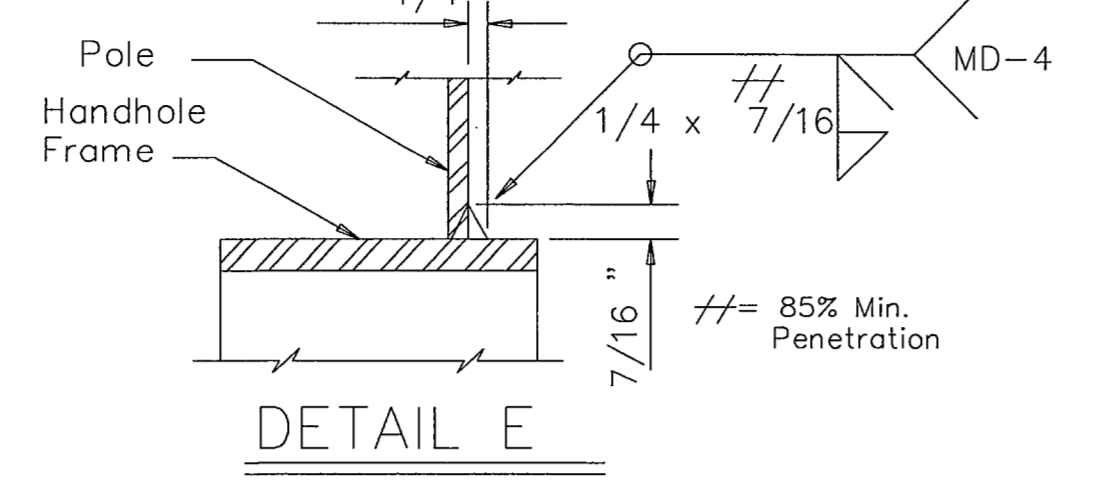


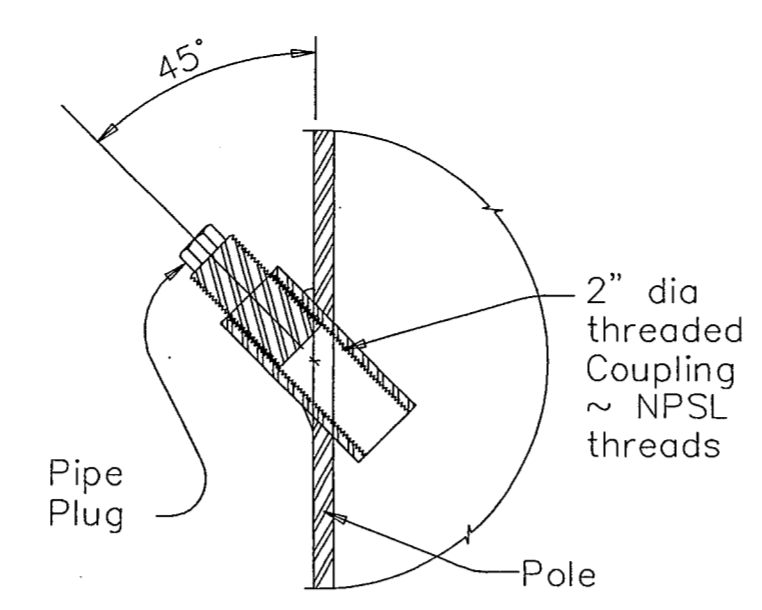
NO.	DATE	REVISION	APPROV.
1			
2			
3			



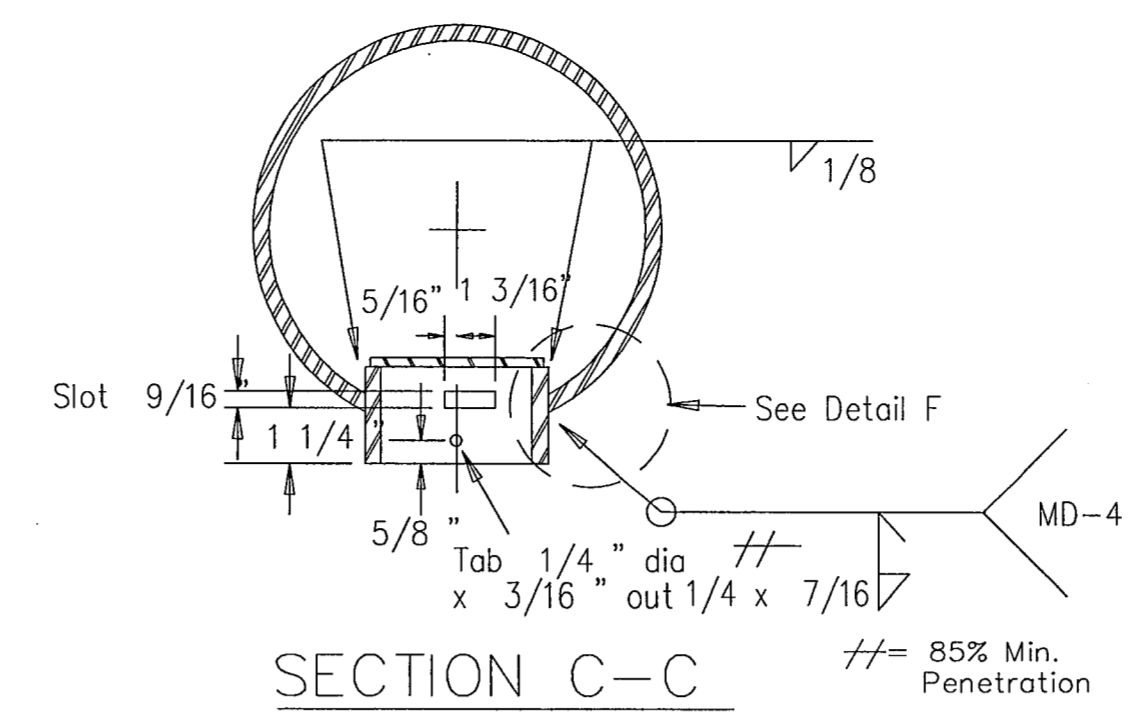
DETAIL A
(for pole with luminaire)



DETAIL E

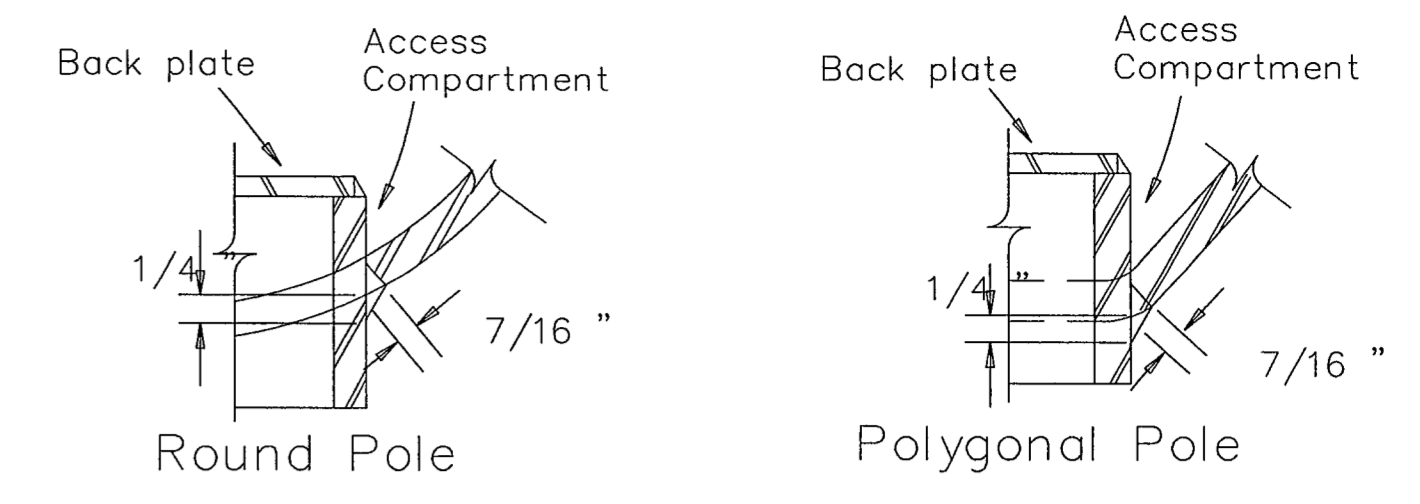


COUPLING DETAIL

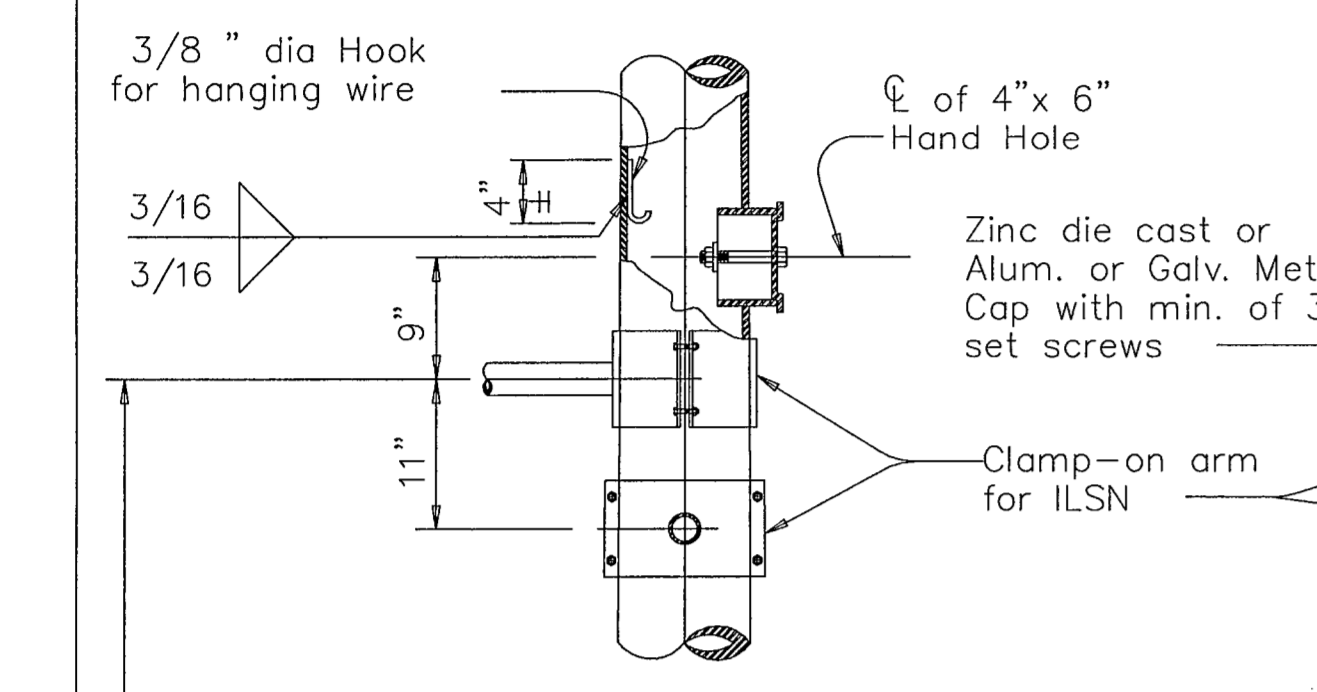


SECTION C-C

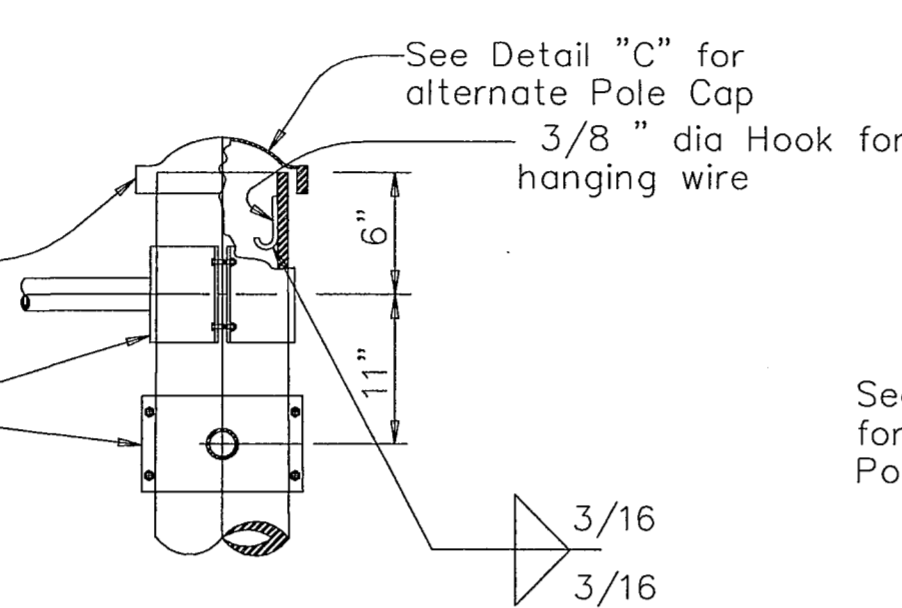
Opening for access compartment shall be no more than 1/16 inch wider than the access compartment itself.



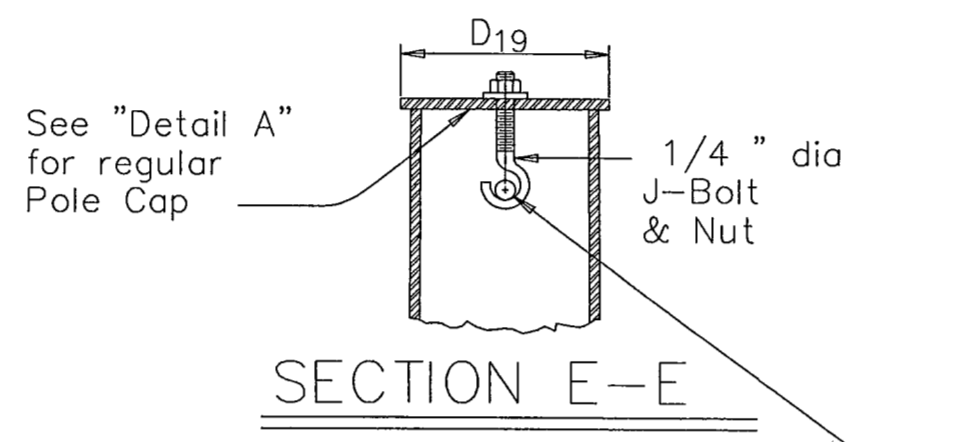
DETAIL F



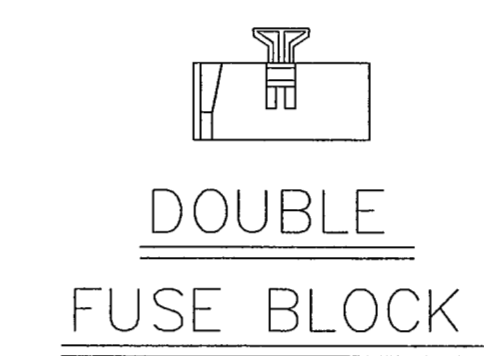
DETAIL J
(If ILSN applied)



DETAIL K
(for 24' pole with ILSN sign and no luminaire)

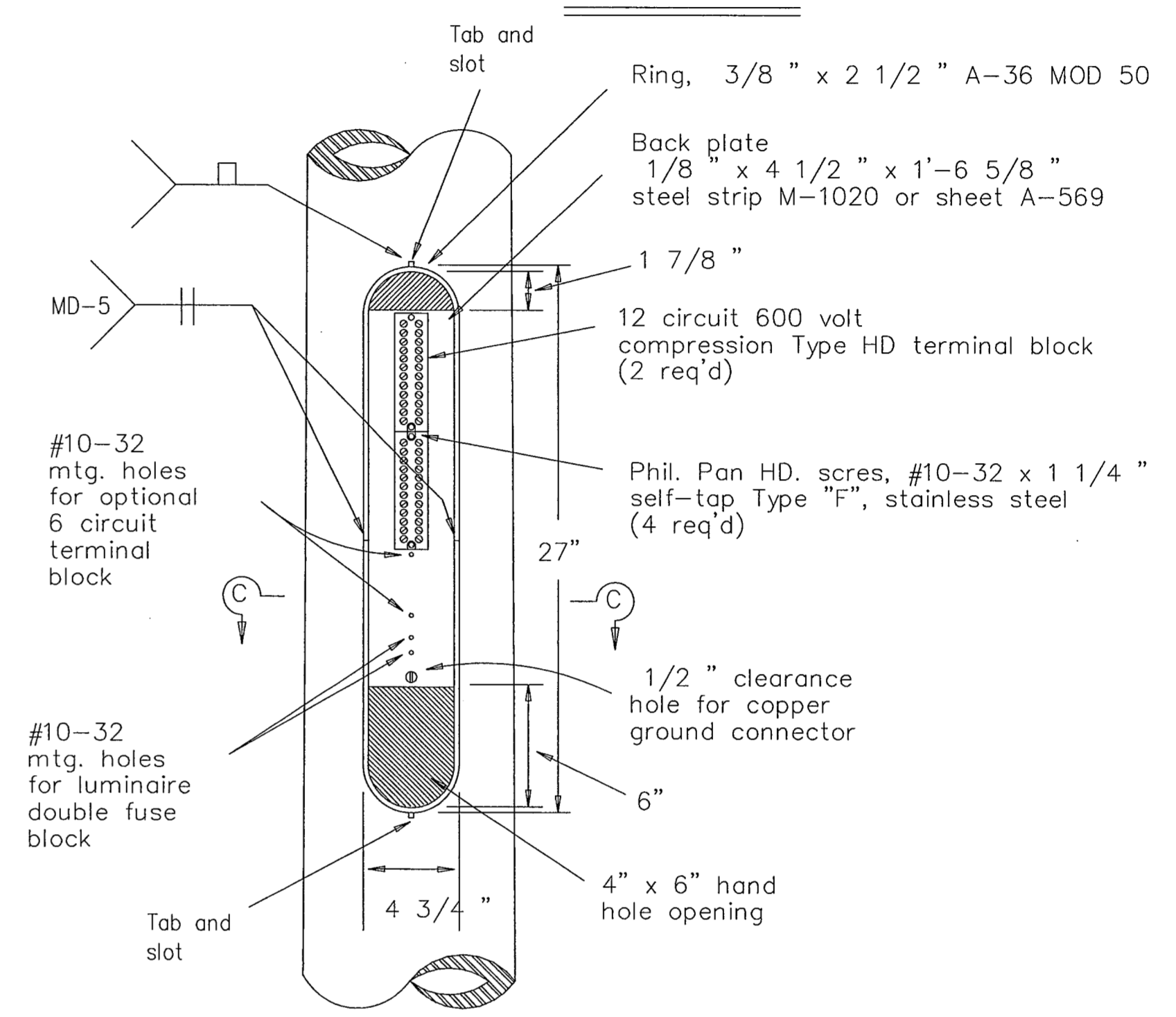


SECTION E-E

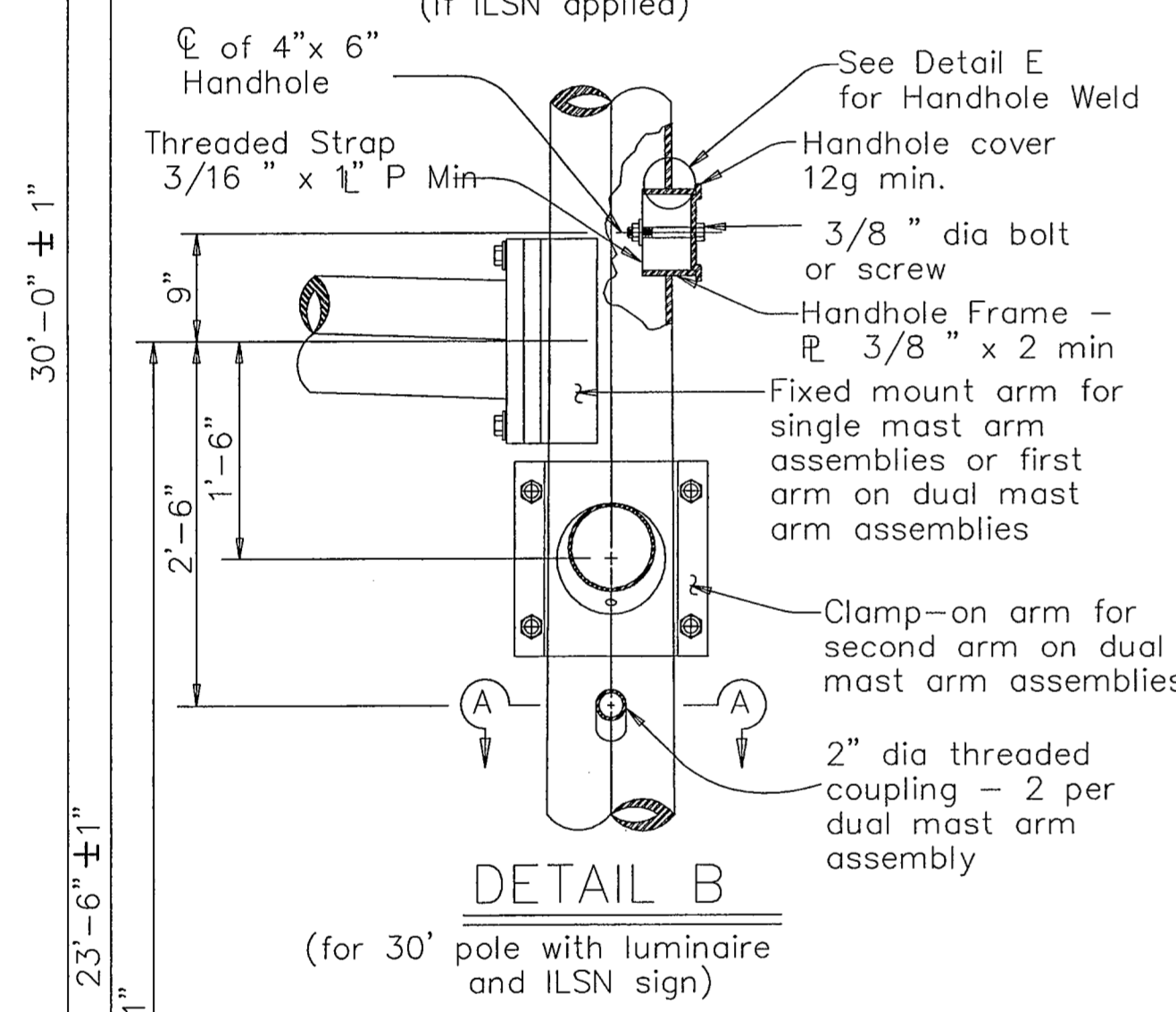


DOUBLE FUSE BLOCK

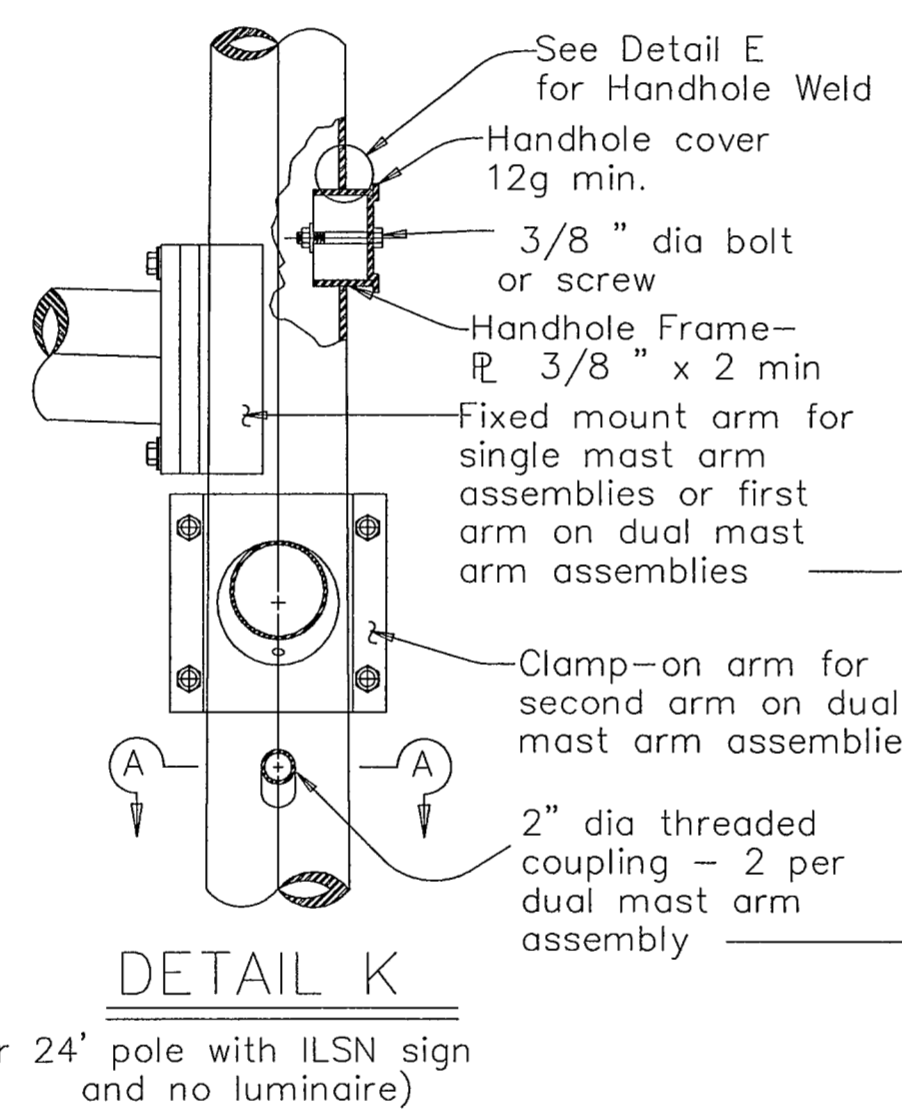
For luminaire fuses Littelfuse #L60030M-2SQ or equal, supplied and installed by field contractor when required.



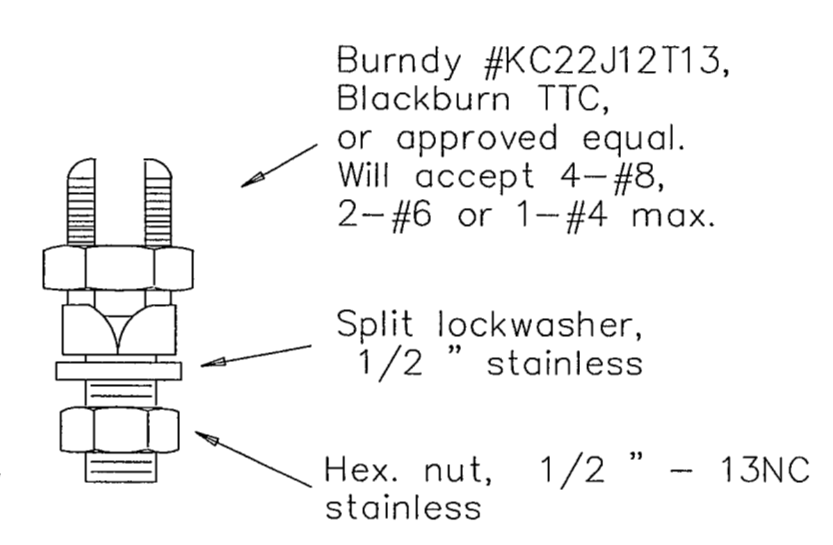
ACCESS COMPARTMENT



DETAIL B
(for 30' pole with luminaire and ILSN sign)

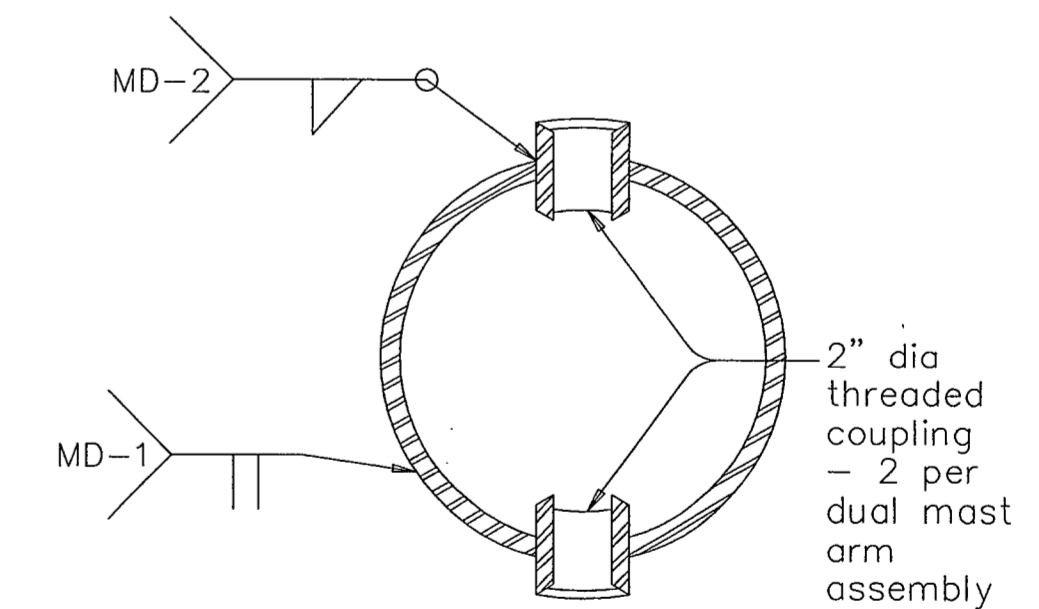


DETAIL C
(for 19' pole with no ILSN sign and no luminaire)



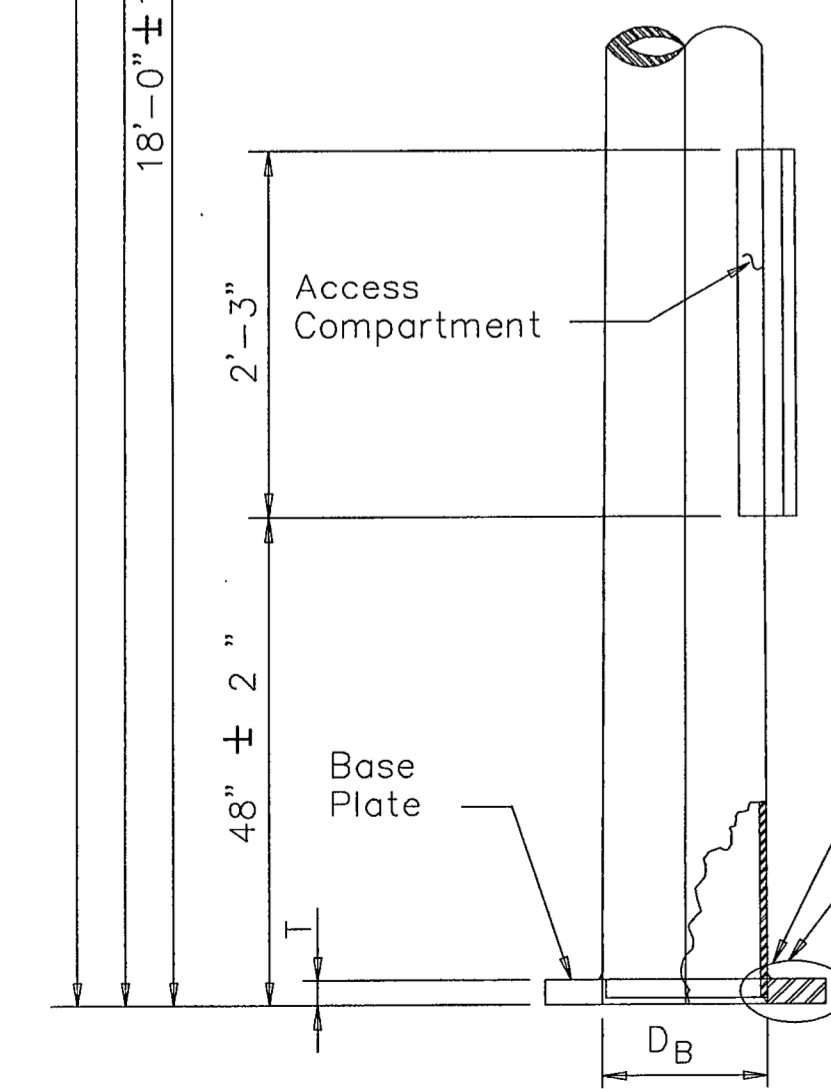
COPPER GROUND CONNECTOR

- The cover shall be one piece formed from ABS plastic, shall be a pearl gray color, and shall be suitable for exposure to harsh sunlight and extreme weather. Cover shall latch with two screw latches and shall fit tightly to the enclosure ring to create a rainproof seal. Latch screws shall be 1/4-20 stainless flat socket head screws with tamper proof feature.
- The pole manufacturer shall provide with each pole a separate kit consisting of: one cover with two latching assemblies, two terminal strips (Marathon #985GP12CU or approved equal), four #10-32 x 1 1/4 self tapping type "F" stainless steel pan head screws, and one ground connector (Blackburn TTC, Burndy KC22J12T13, or IlSCO SSS-5). The traffic signal contractor shall install the kit items in the field.
- The screw hole spacing on the enclosure back plate shall be for two Marathon #985GP12 terminal strips, one Marathon #985GP06CU terminal strip, and one Littelfuse #L60030M-2SQ fuse block. Arrangement of the items shall be as shown in the Access Compartment detail.

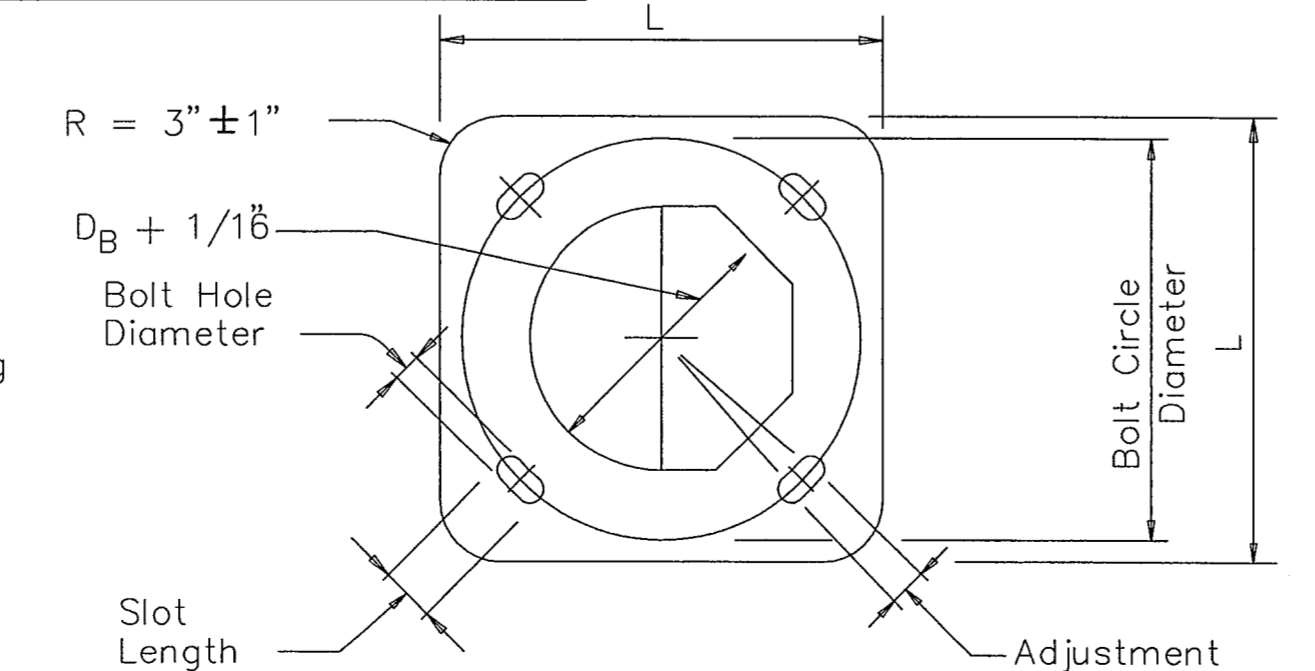


SECTION A-A

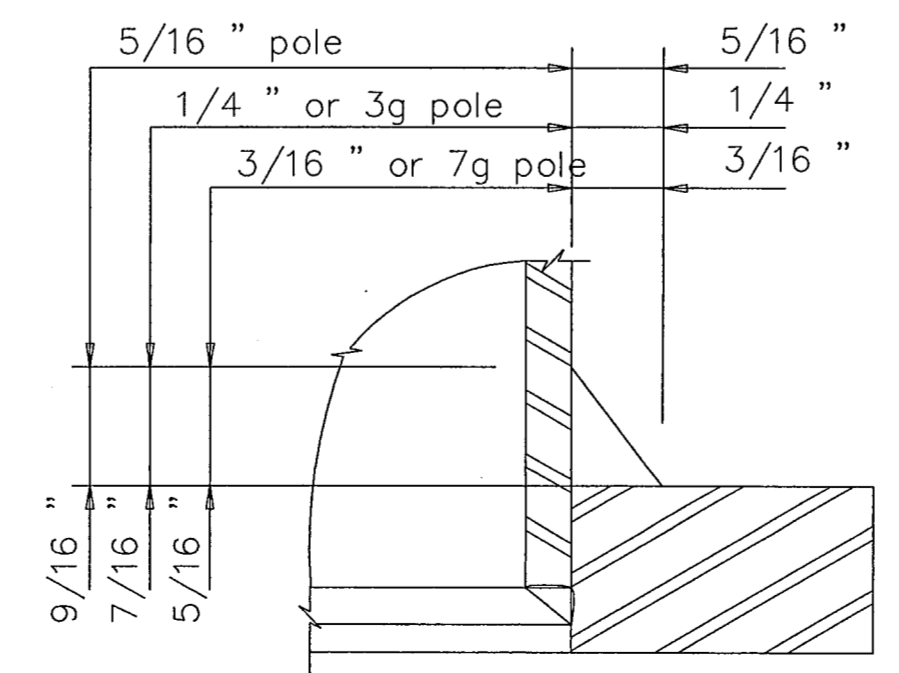
Anchor Bolt Diameter	Bolt Hole Diameter	Slot Length	Bolt Circle Diameter	Base PL Dim. L x T	Adjust. Range
1 1/2 "	1 3/4 "	3 1/2 "	17"	18" x 1 1/2 "	13.4'
1 3/4 "	2"	4"	19"	20" x 1 3/4 "	13.5'
2"	2 1/4 "	4 1/2 "	21"	22" x 2"	13.6'
2 1/4 "	2 1/2 "	5"	23"	24" x 2 1/4 "	13.7'



POLE ELEVATION



BASE PLATE PLAN



DETAIL D

BUILT AS PER SPECIFICATIONS AND PLANS BY DURABLE SPECIALTIES INC. PROJECT COORDINATOR *[Signature]*

THE SEAL APPEARING ON THIS DOCUMENT WAS AUTHORIZED BY WILLIAM J. HATCHELL ON 2/16/02. ALTERATION OF A SEALED DOCUMENT WITHOUT PROPER NOTIFICATION TO THE RESPONSIBLE ENGINEER IS AN OFFENSE UNDER THE TEXAS ENGINEERING PRACTICE ACT.

THIS DETAIL SHEET WAS OBTAINED FROM TXDOT

DATE: DECEMBER, 2001 SCALE: NOT TO SCALE JOB NO.: 00-249
 DRAWN: GBW DESIGN: WJH REVIEWED: DWG: 249DETAILS-ELEC

ARAPAHO ROAD PHASE II
TRAFFIC SIGNAL - SUPPORT STRUCTURES
MAST ARM POLE DETAILS

TOWN OF ADDISON

Grantham, Burge & Waldbauer
Engineers, Inc.
 1919 S. SHILOH ROAD, SUITE 530, L.B. 27 GARLAND, TEXAS 75042 (972) 840-1916 (TEL) (972) 840-2156 (FAX)

SHT. TS-12 OF TS-21