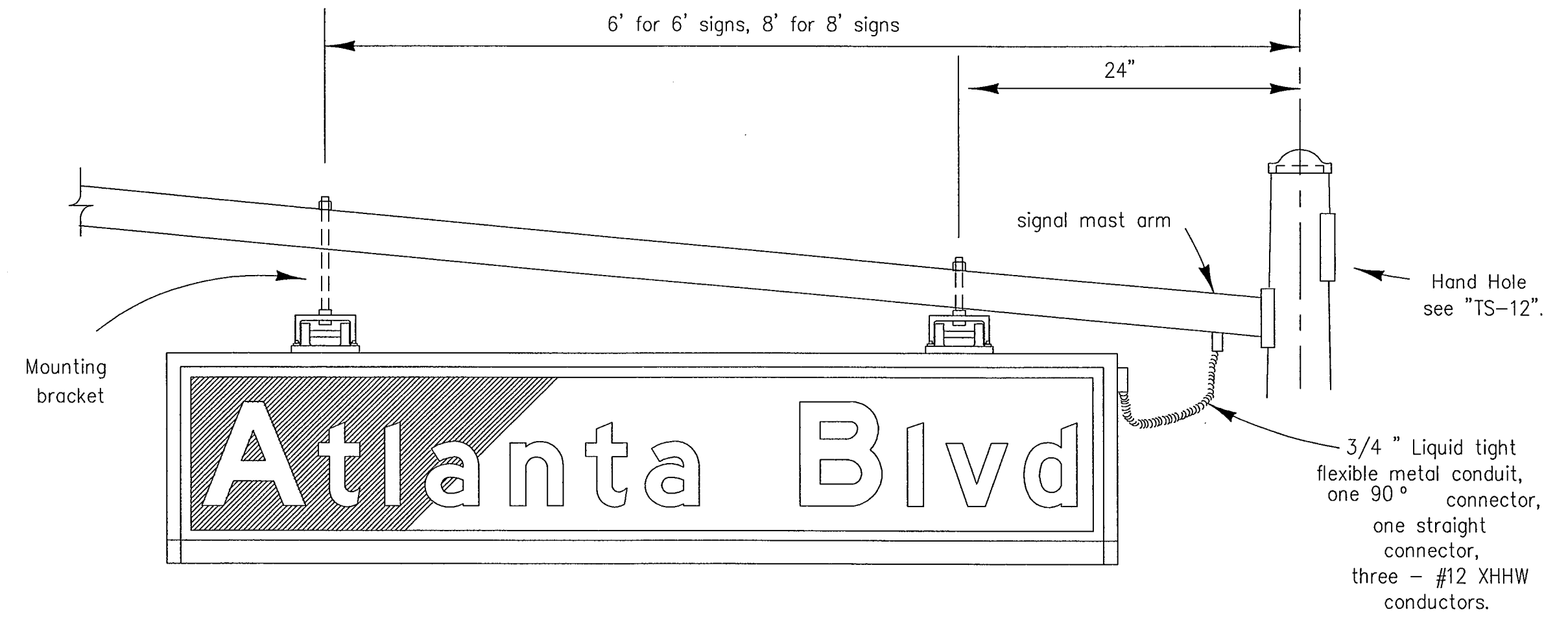
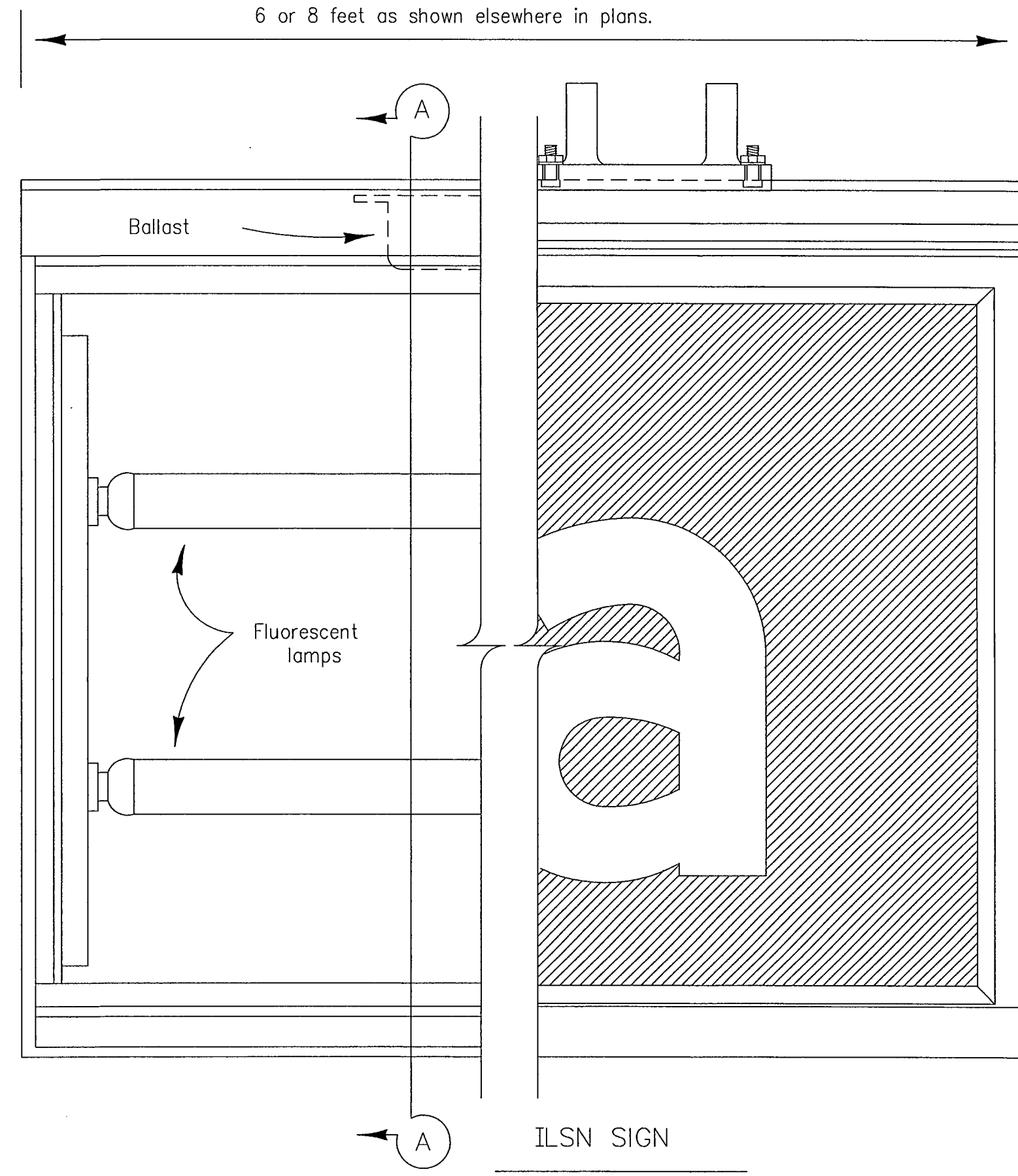
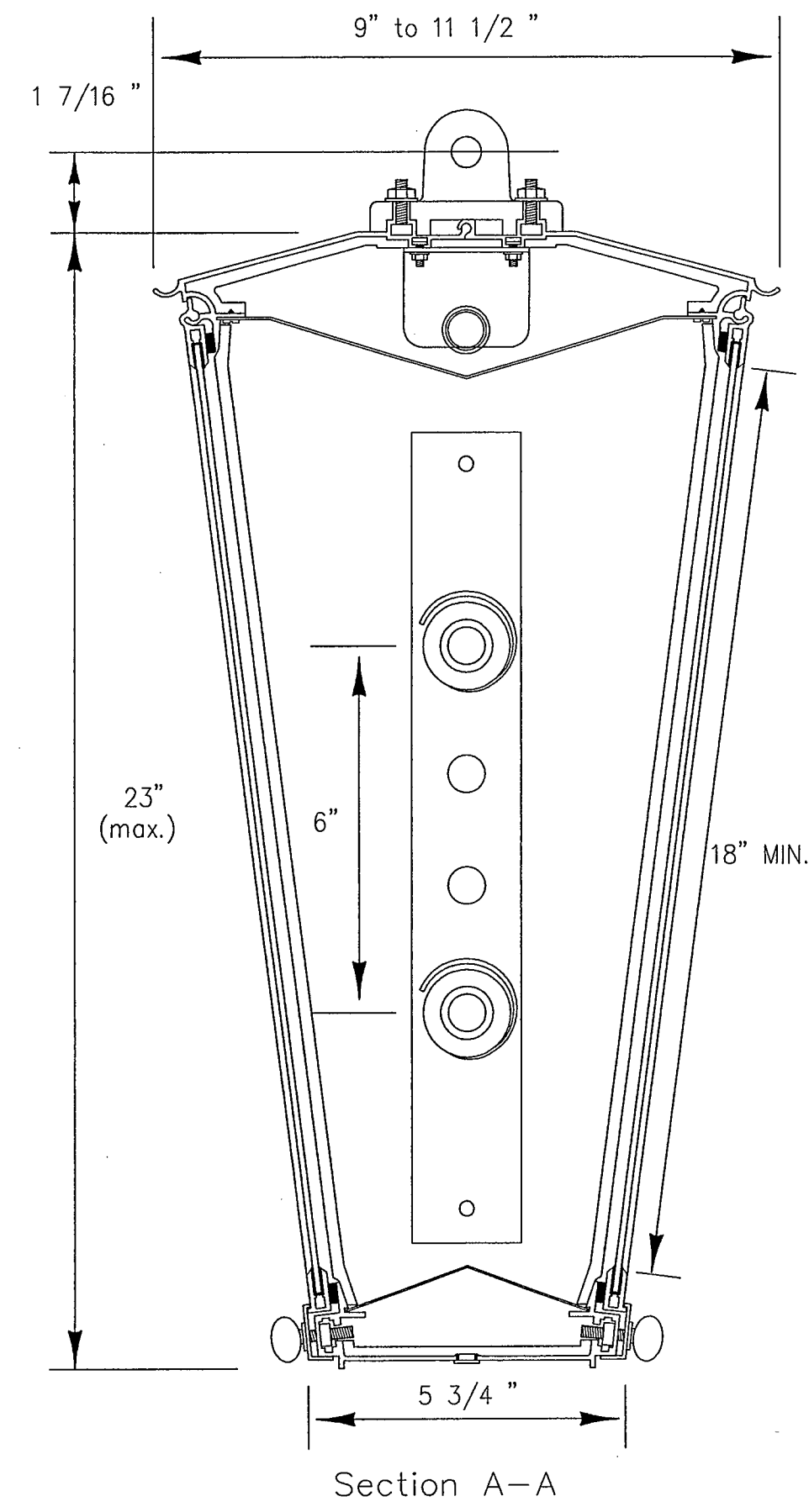
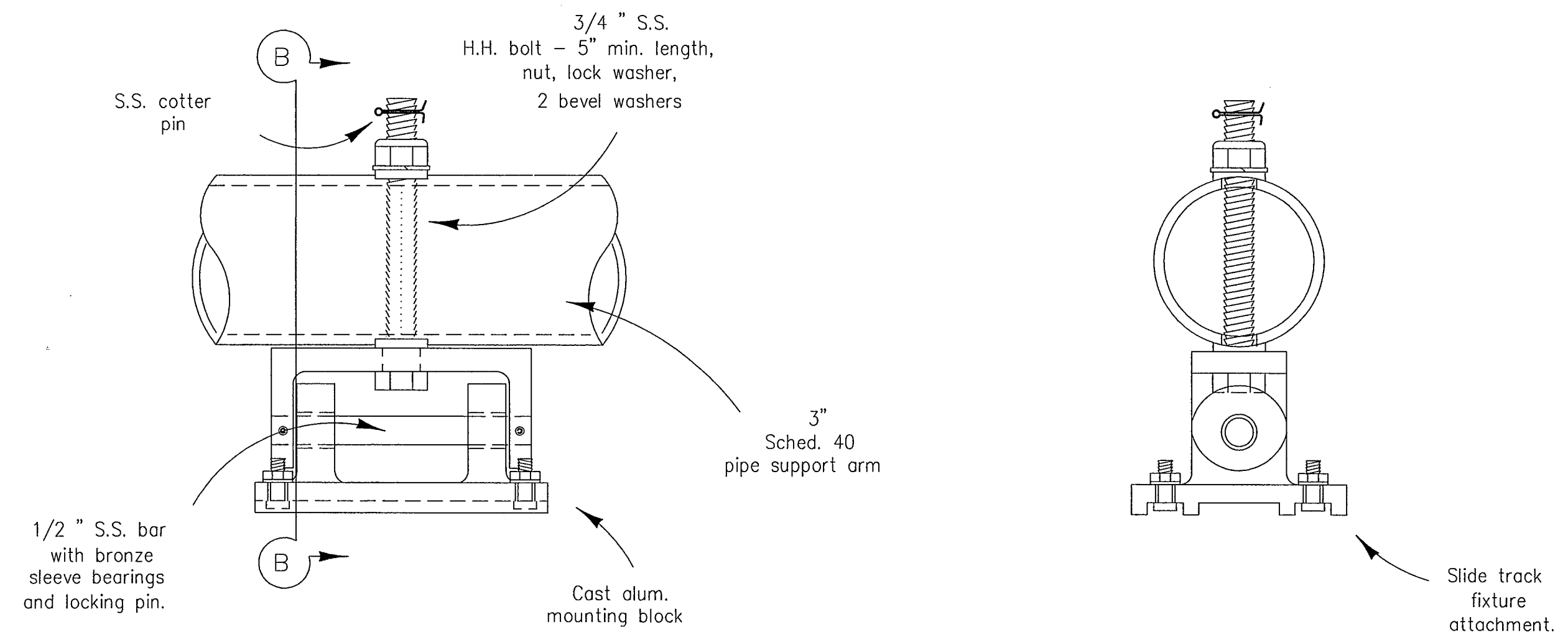


INTERNALLY LIGHTED STREET NAME SIGN DETAILS

NO.	DATE	REVISION	APPROV.
1			
2			
3			



SIGN MOUNTING



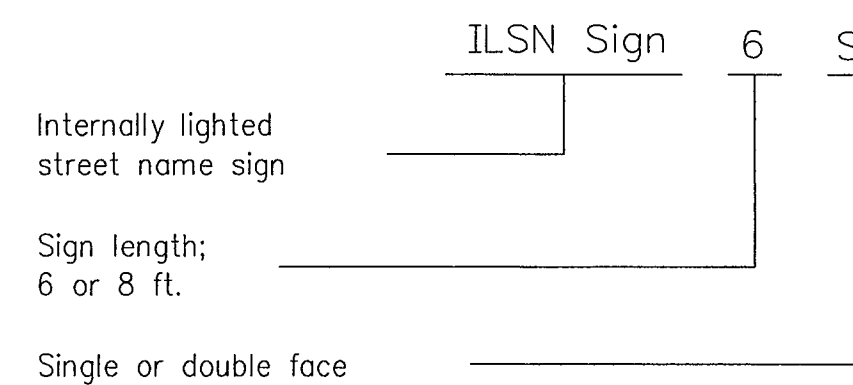
MOUNTING BRACKET

Section B-B

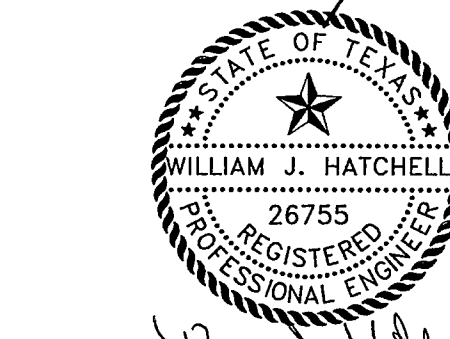
ILSN SIGN NOTES:

1. Eight foot ILSN sign shall not exceed 11.5 sq.ft. effective projected area (EPA) and shall not exceed a weight of 85 lbs.
Six foot ILSN sign shall not exceed 8.7 sq.ft. EPA and shall not exceed a weight of 70 lbs.
2. Sign message shall be as shown elsewhere in the plans.
3. See Special Specification, "Internally Lighted Street Name Signs" for additional details.

EXPLANATION OF DESCRIPTION



BUILT AS PER SPECIFICATIONS AND PLANS BY DURABLE SPECIALTIES INC. PROJECT COORDINATOR *[Signature]*



THE SEAL APPEARING ON THIS DOCUMENT WAS AUTHORIZED BY: WILLIAM J. HATCHELL ON 11/20/01. ALTERATION OF A SEALED DOCUMENT WITHOUT PROPER NOTIFICATION TO THE RESPONSIBLE ENGINEER IS AN OFFENSE UNDER THE TEXAS ENGINEERING PRACTICE ACT.

THIS DETAIL SHEET WAS OBTAINED FROM TXDOT

DATE: DECEMBER, 2001	SCALE: NOT TO SCALE	JOB NO.: 00-249	80A
DRAWN: GBW	DESIGN: WJH	REVIEWED:	DWG: 249DETAILS-SIGN

ARAPAHO ROAD PHASE II
STREET NAME SIGN DETAIL
(ILLUMINATED)
TOWN OF ADDISON

GBW Engineers, Inc.
 Grantham, Burge & Waldbauer
 1919 S. SHILOH ROAD, SUITE 530, L.B. 27 GARLAND, TEXAS 75042
 (972) 840-1916 (TEL)
 (972) 840-2156 (FAX)

SHT. TS-21
 OF TS-21