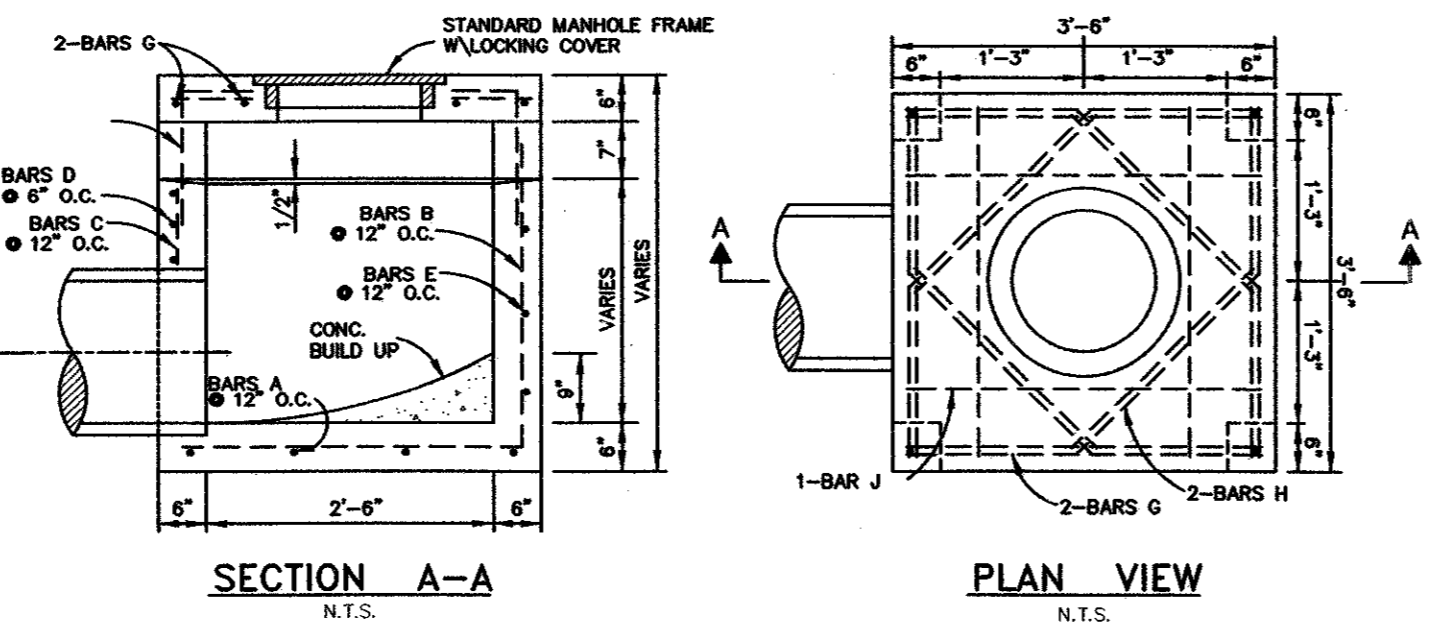
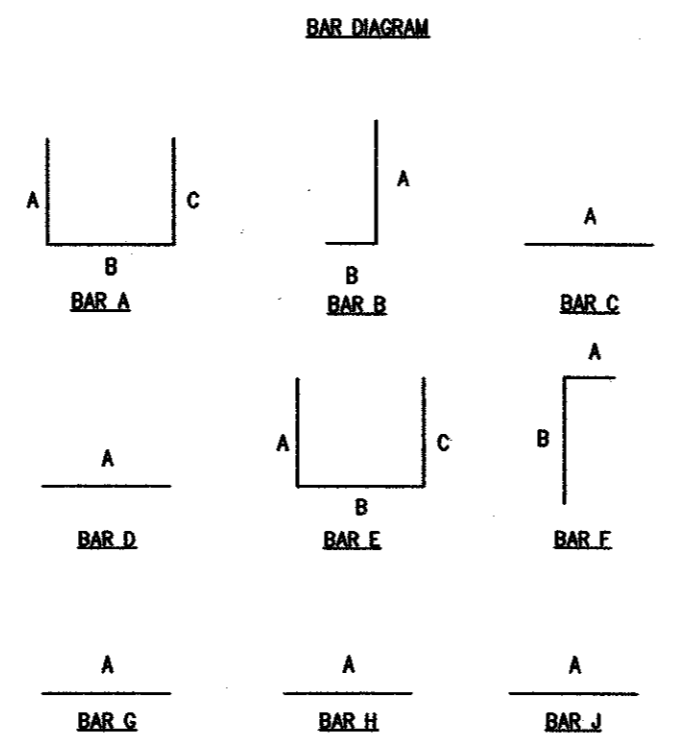


NO.	DATE	REVISION	APPROV.
1			
2			
3			

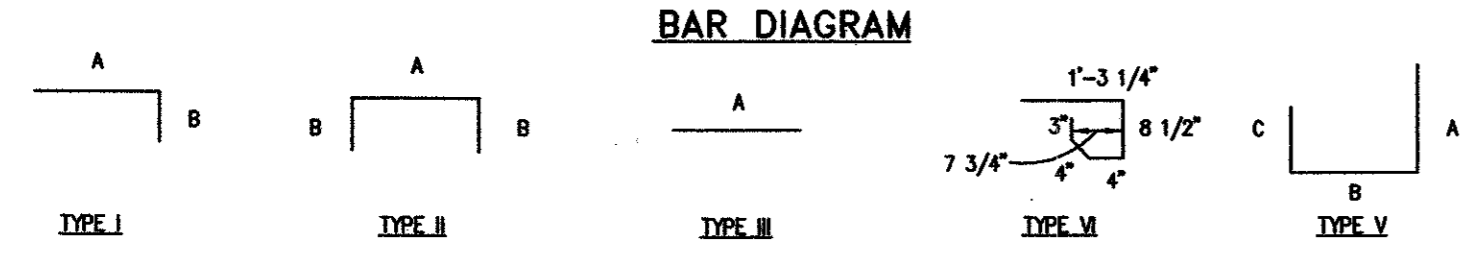
REINFORCING BAR SCHEDULE						
INLET LENGTH	BAR MARK NUMBER	BAR DIAGRAM TYPE	BAR SIZE	NUMBER REQUIRED	BAR BENDING DIMENSIONS	
B					A	B C
8	A	I	#5	9	3'-0"	6"
	B	I	#5	VARIES	6"	6"
	C	I	#5	VARIES	6"	6"
	D	I	#5	VARIES	6"	6"
	E	IV	#5	7	4'-0"	6"
	F	IV	#5	10	3'-2"	3'-2"
	G	IV	#5	10	3'-2"	3'-2"
	H	II	#5	4	1'-6"	6"
	I	II	#5	4	1'-6"	6"
	J	II	#5	4	1'-6"	6"
10	A	I	#5	14	3'-0"	6"
	B	I	#5	VARIES	6"	6"
	C	I	#5	VARIES	6"	6"
	D	I	#5	VARIES	6"	6"
	E	IV	#5	8	4'-0"	6"
	F	IV	#5	12	3'-2"	3'-2"
	G	IV	#5	12	3'-2"	3'-2"
	H	II	#5	4	1'-6"	6"
	I	II	#5	4	1'-6"	6"
	J	II	#5	4	1'-6"	6"
12	A	I	#5	10	3'-0"	6"
	B	I	#5	VARIES	6"	6"
	C	I	#5	VARIES	6"	6"
	D	I	#5	VARIES	6"	6"
	E	IV	#5	8	4'-0"	6"
	F	IV	#5	10	3'-2"	3'-2"
	G	IV	#5	10	3'-2"	3'-2"
	H	II	#5	4	1'-6"	6"
	I	II	#5	4	1'-6"	6"
	J	II	#5	4	1'-6"	6"
14	A	I	#5	14	3'-0"	6"
	B	I	#5	VARIES	6"	6"
	C	I	#5	VARIES	6"	6"
	D	I	#5	VARIES	6"	6"
	E	IV	#5	8	4'-0"	6"
	F	IV	#5	12	3'-2"	3'-2"
	G	IV	#5	12	3'-2"	3'-2"
	H	II	#5	4	1'-6"	6"
	I	II	#5	4	1'-6"	6"
	J	II	#5	4	1'-6"	6"
	K	II	#5	9	3'-2"	3'-2"
	L	II	#5	9	3'-2"	3'-2"
	M	II	#5	9	3'-2"	3'-2"
	N	II	#5	9	3'-2"	3'-2"
	O	II	#5	9	3'-2"	3'-2"
	P	II	#5	9	3'-2"	3'-2"
	Q	II	#5	9	3'-2"	3'-2"
	R	II	#5	9	3'-2"	3'-2"
	S	II	#5	9	3'-2"	3'-2"
	T	II	#5	9	3'-2"	3'-2"
	U	II	#5	9	3'-2"	3'-2"
	V	II	#5	9	3'-2"	3'-2"

REINFORCING BAR SCHEDULE				
BAR	NO. REQ'D	BAR SIZE	BAR BENDING DIMENSIONS	
			A	B C
A	4	#4	3'-0"	VARIES
B	4	#4	3'-0"	VARIES
C	2	#4	VARIES	---
D	VARIES	#4	3'-0"	---
E	VARIES	#4	3'-0"	3'-0"
F	4	#4	1'-0"	2'-0"
G	4	#4	2'-1"	---
H	4	#4	3'-2"	---

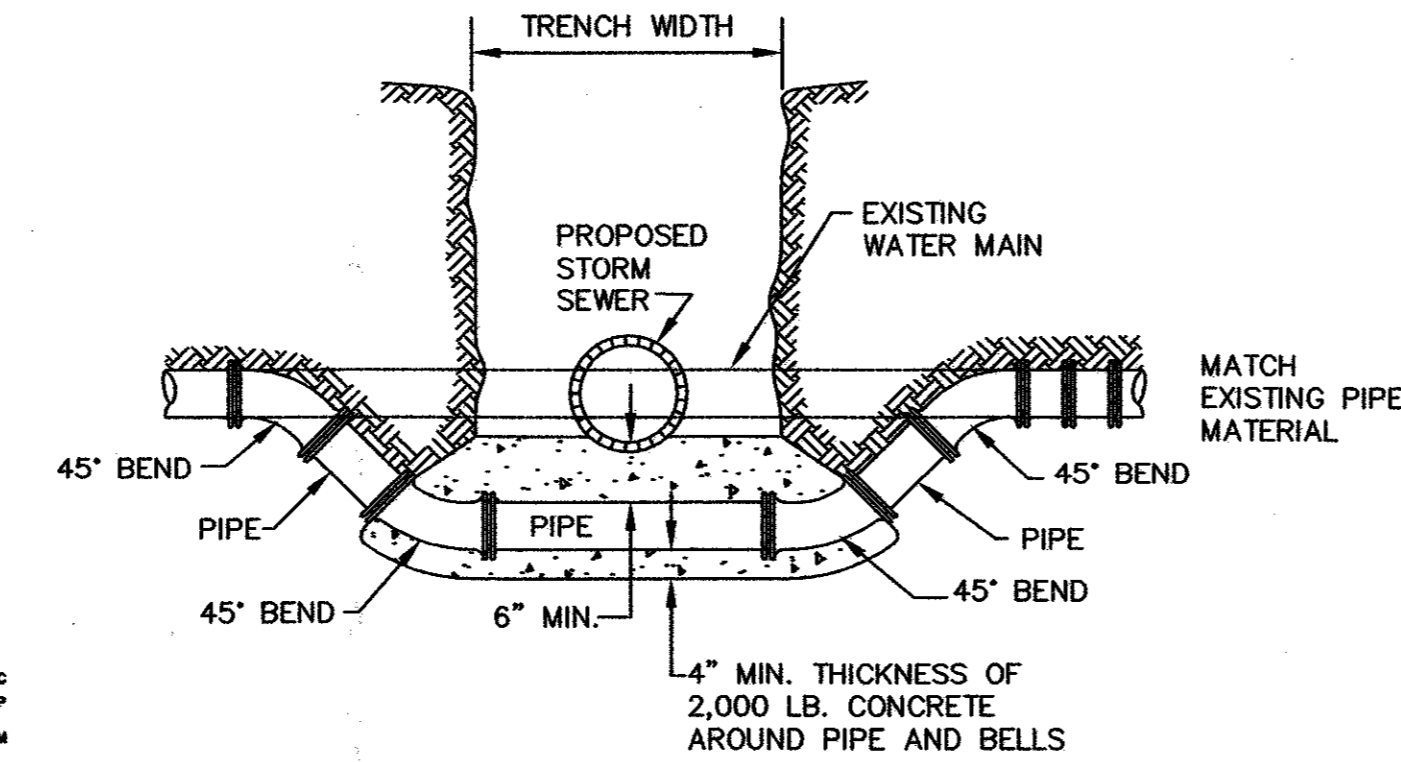
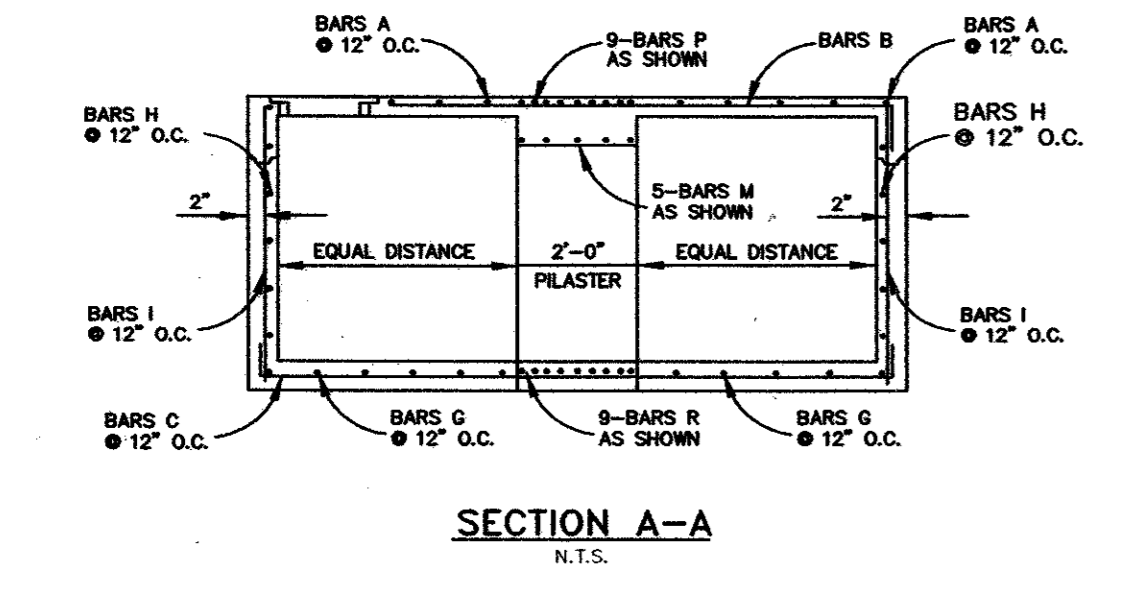
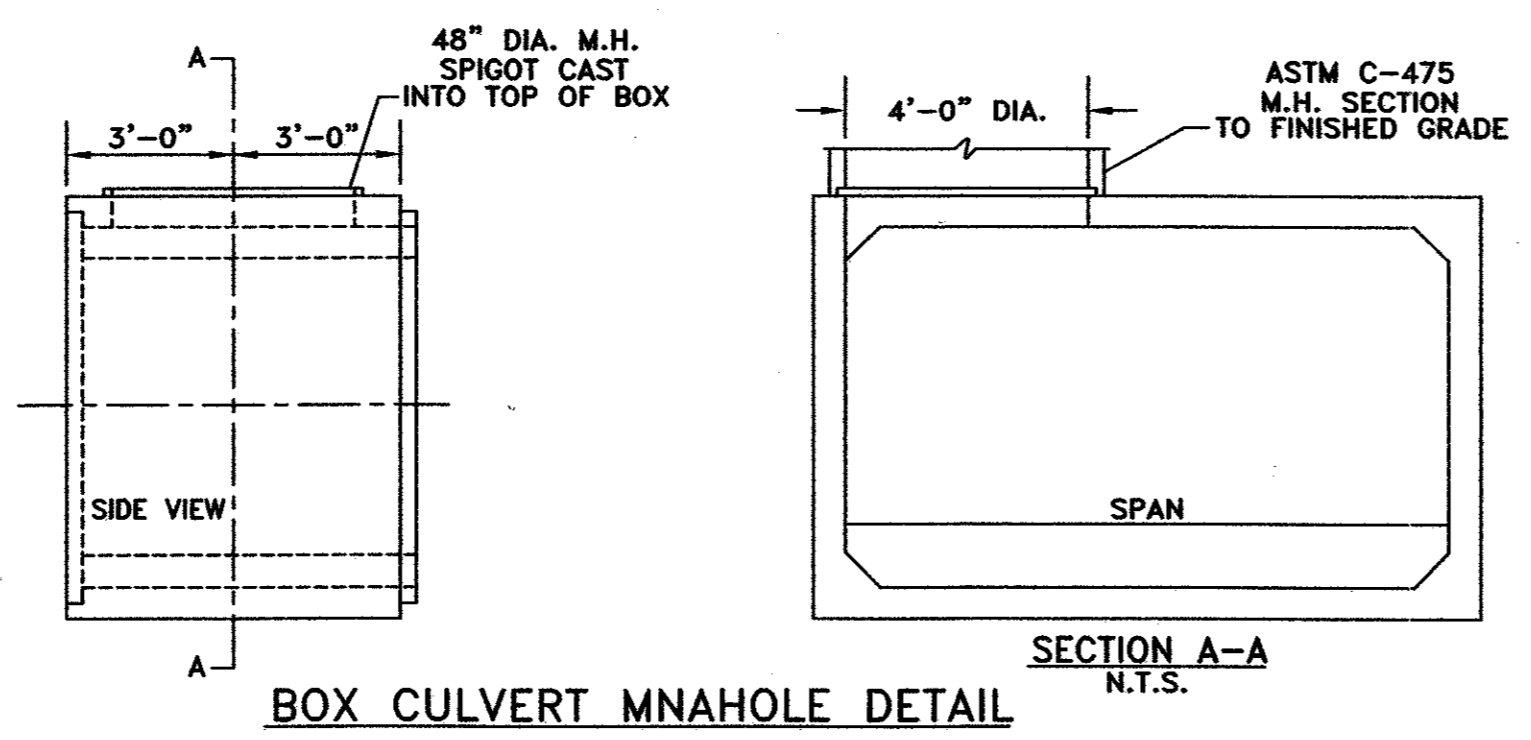
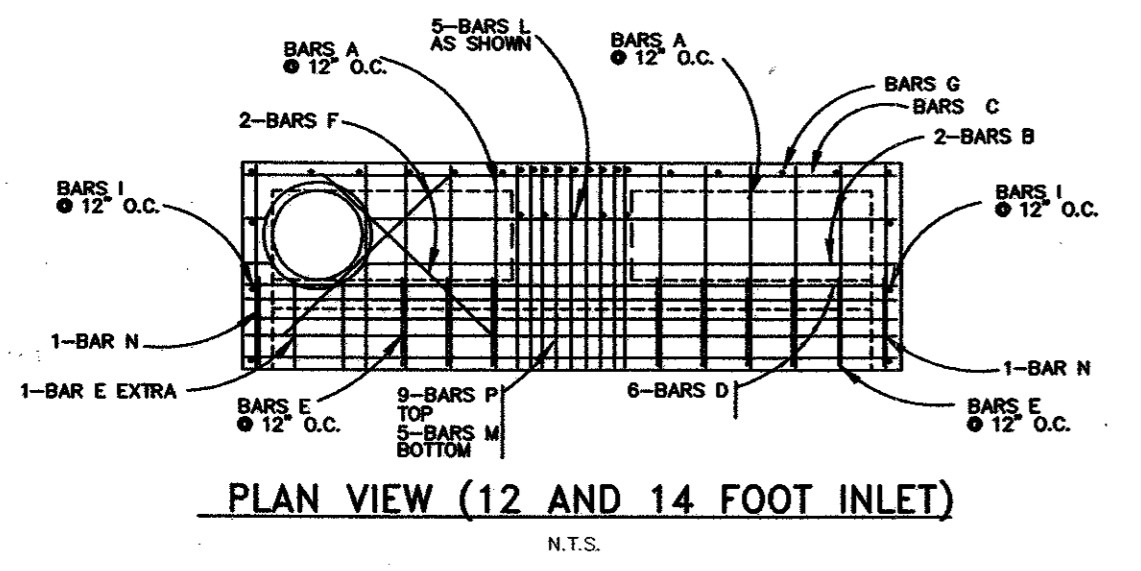
NOTE:
BARS "A" & "E" ARE USED
IN THE WALLS PARALLEL TO THE R.C.P.
BARS "B" ARE IN THE WALL OPPOSITE THE R.C.P.



SEE RFI #055
BOX CULVERT CLOSURE POUR
DETAIL FOR LESS THAN / GREATER THAN
1.00' OPENING:

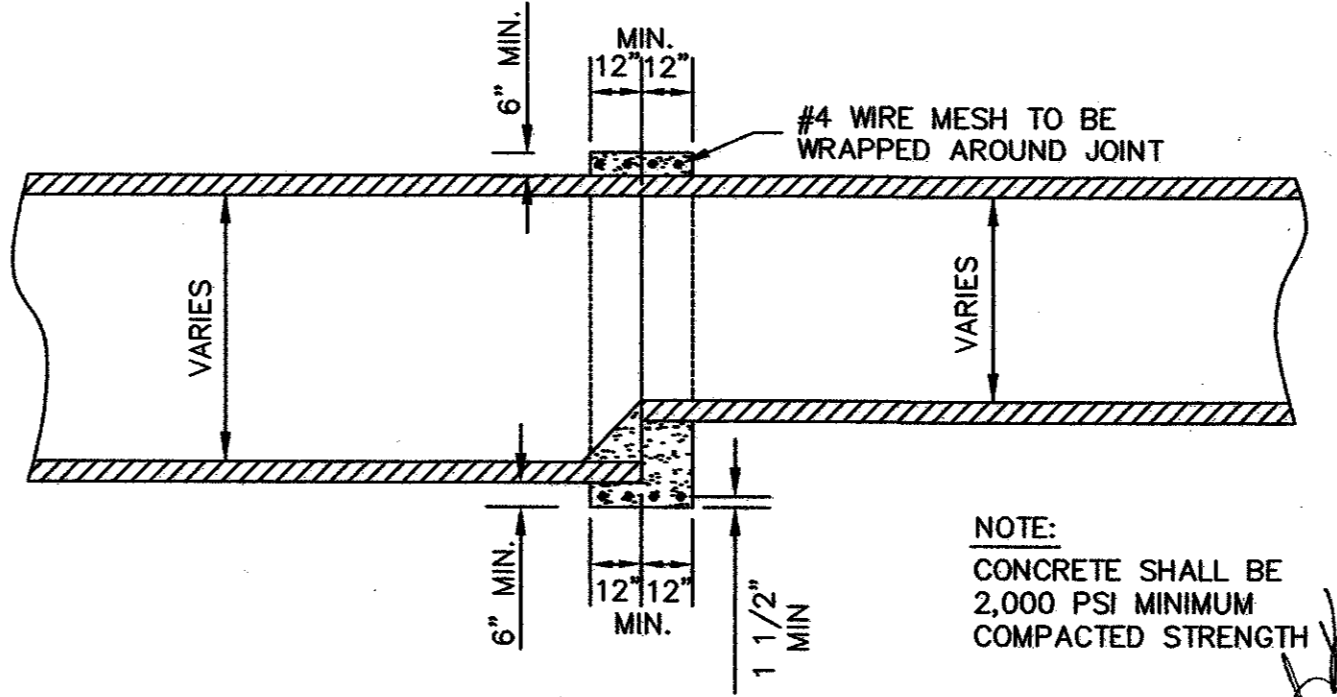


"Y" TYPE INLET DETAILS



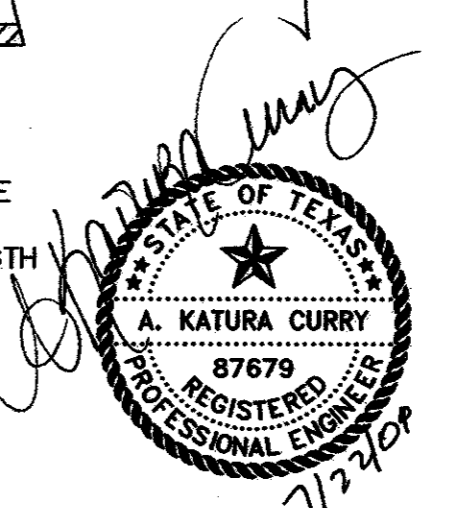
- NOTE:
1. RETAINER GLANDS SHALL BE INSTALLED ON ALL FITTINGS.
 2. NOT TO BE USED FOR 60" WATER LOWERING

DETAIL FOR WATER MAIN LOWERING



NOTE:
CONCRETE SHALL BE
2,000 PSI MINIMUM
COMPACTED STRENGTH

DETAIL OF CONCRETE COLLAR FOR PIPE CONNECTIONS



THE SEAL APPEARING ON THIS DOCUMENT WAS AUTHORIZED BY:
A. KATURA CURRY
ON 7-21-04.
ALTERATION OF A SEALED DOCUMENT WITHOUT PROPER NOTIFICATION TO THE RESPONSIBLE ENGINEER IS AN OFFENSE UNDER THE TEXAS ENGINEERING PRACTICE ACT.

DATE:	MAY 2004	SCALE:	NOT TO SCALE	JOB NO.:	320
DRAWN:	G&A	DESIGN:	BRG	REVIEWED:	BRG
				DWG:	320DETAILS
ARAPAHO ROAD PHASE III					
STANDARD CONSTRUCTION DETAILS					
DRAINAGE - SHEET 2 OF 3					
TOWN OF ADDISON					
g&a Grantham & Associates, Inc.				SHT. SW-27	
1919 S. SHILOH ROAD, SUITE 310, L.B. 8 GARLAND, TEXAS 75042				(972) 864-2333 (TEL) (972) 864-2334 (FAX)	