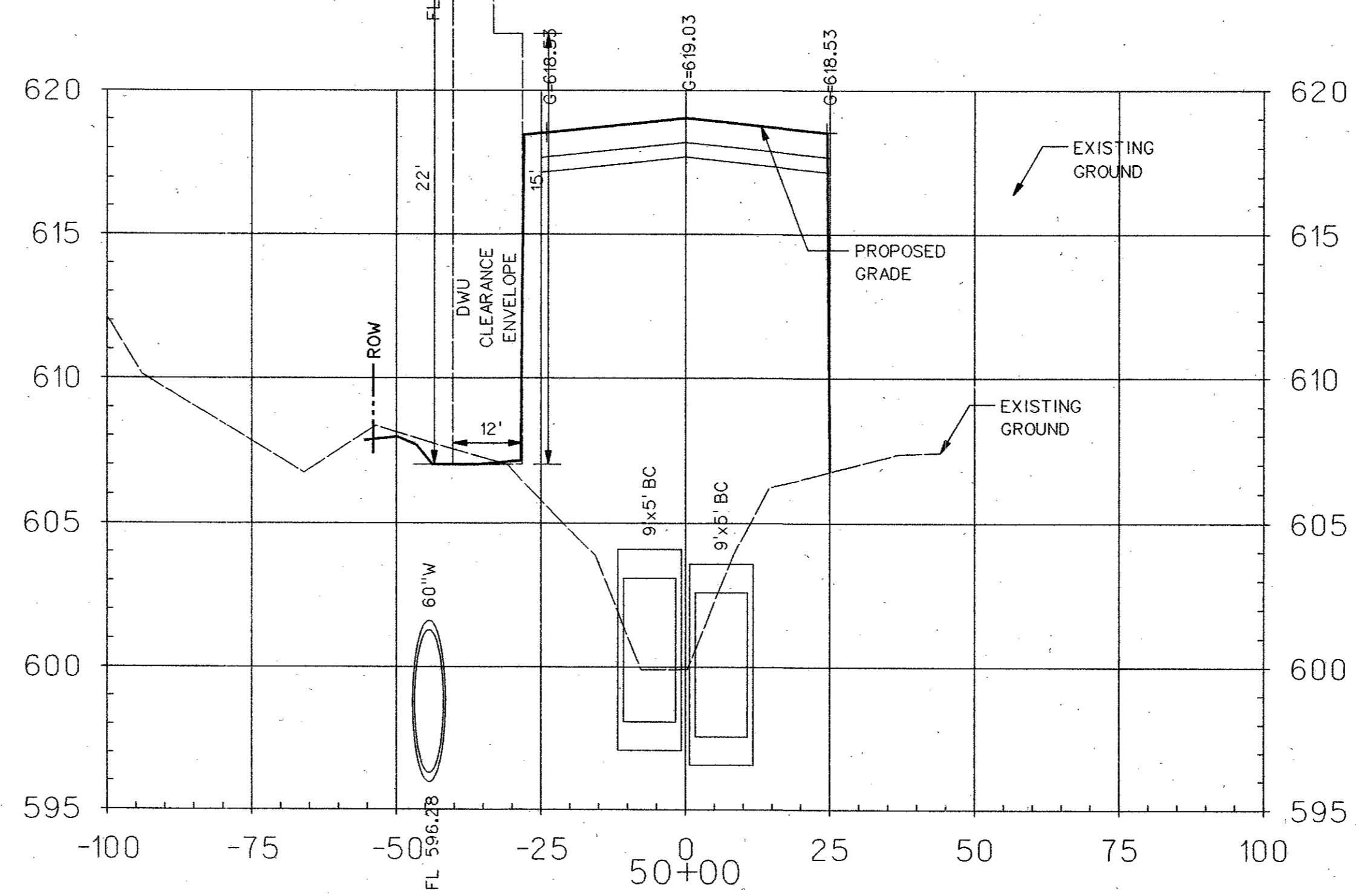
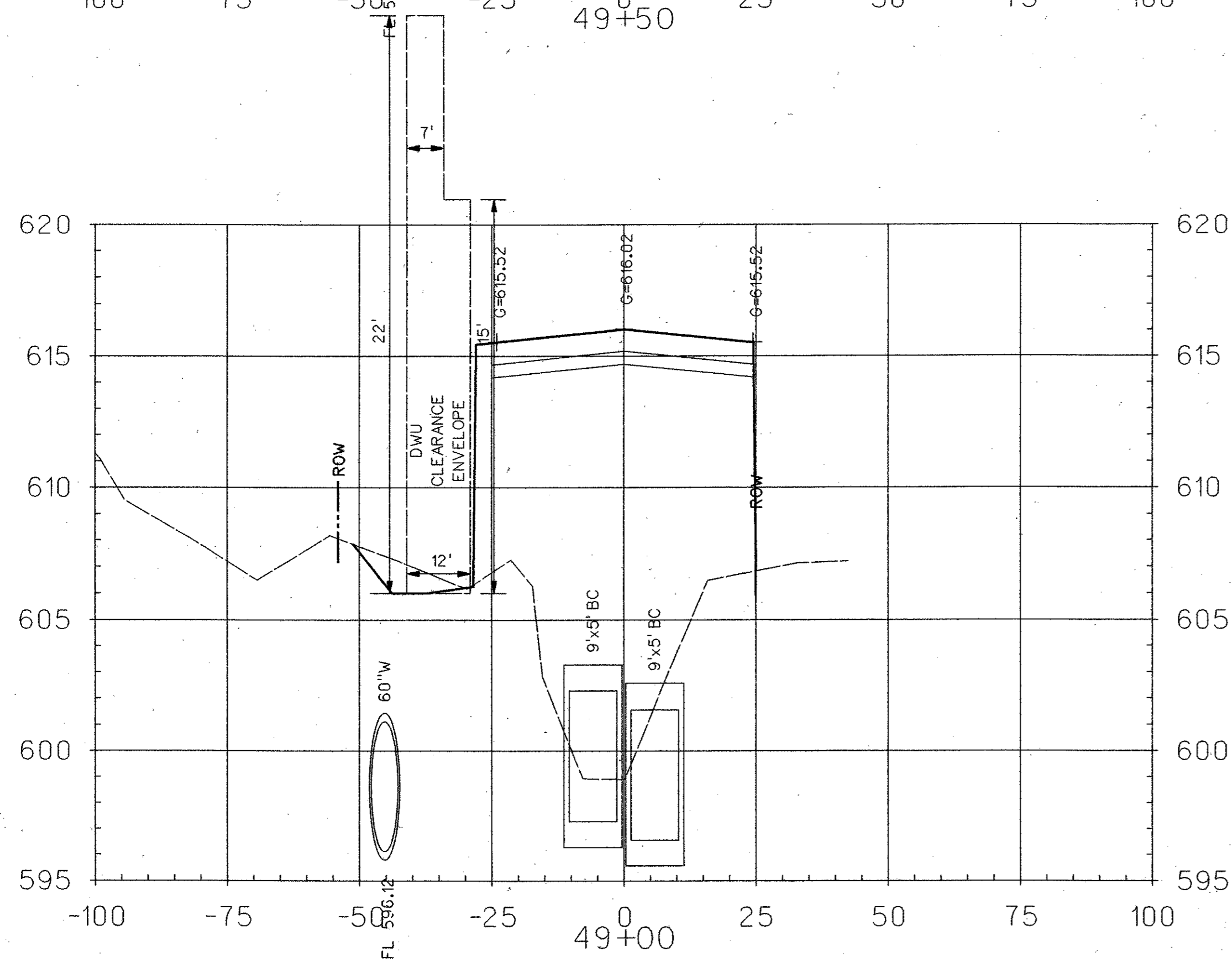
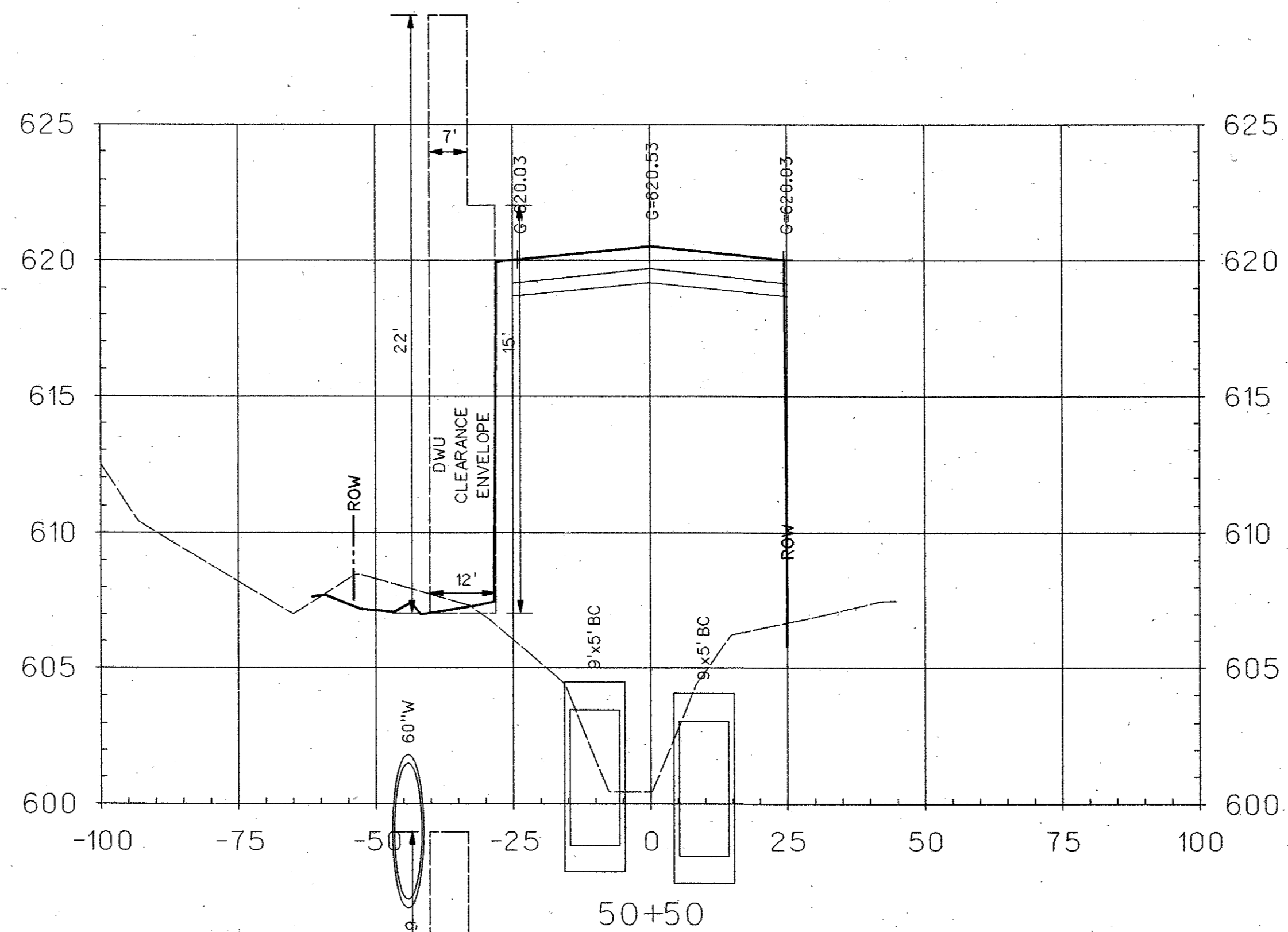
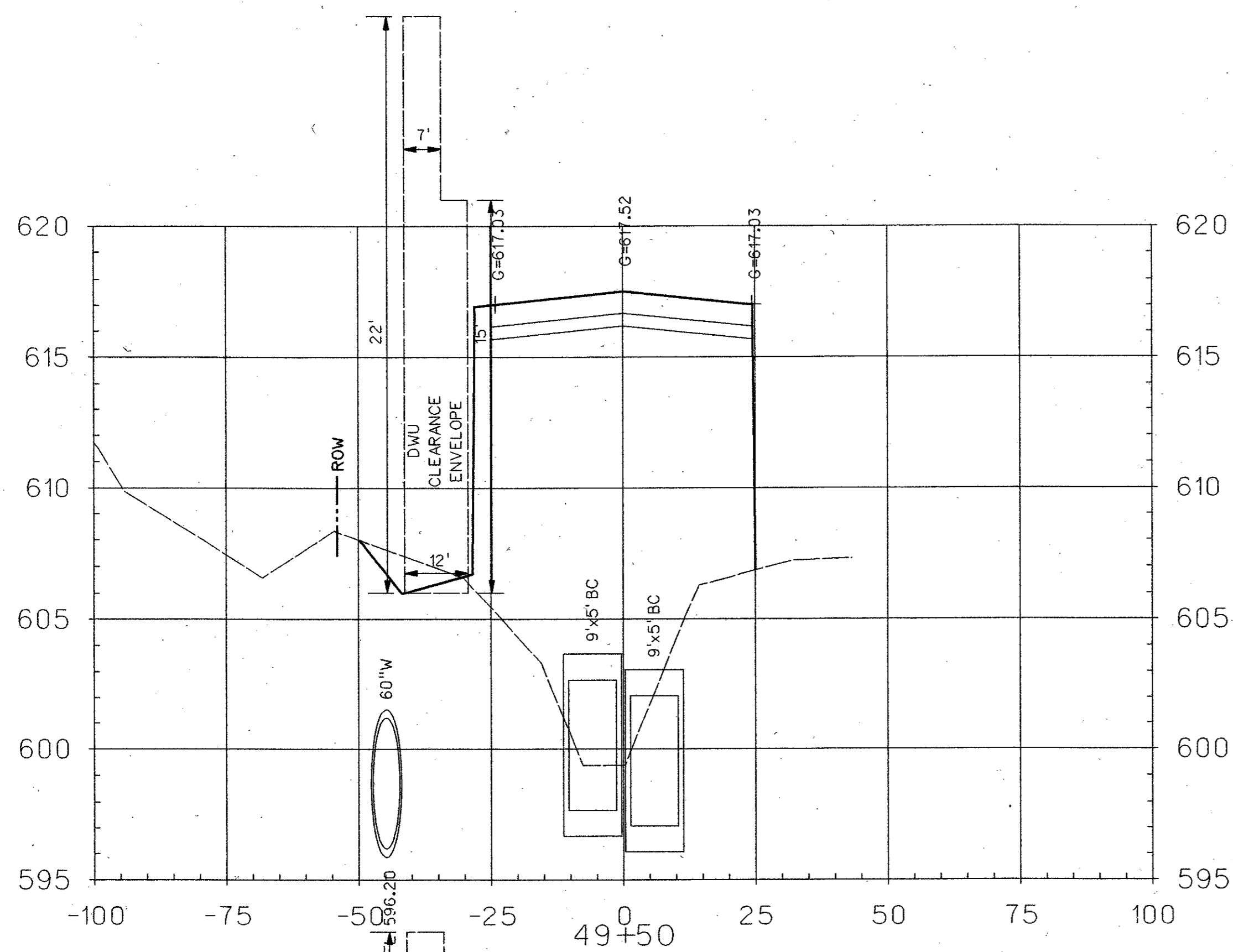
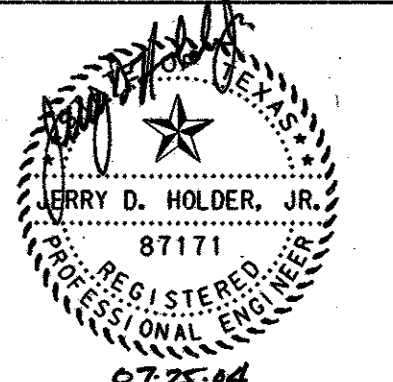
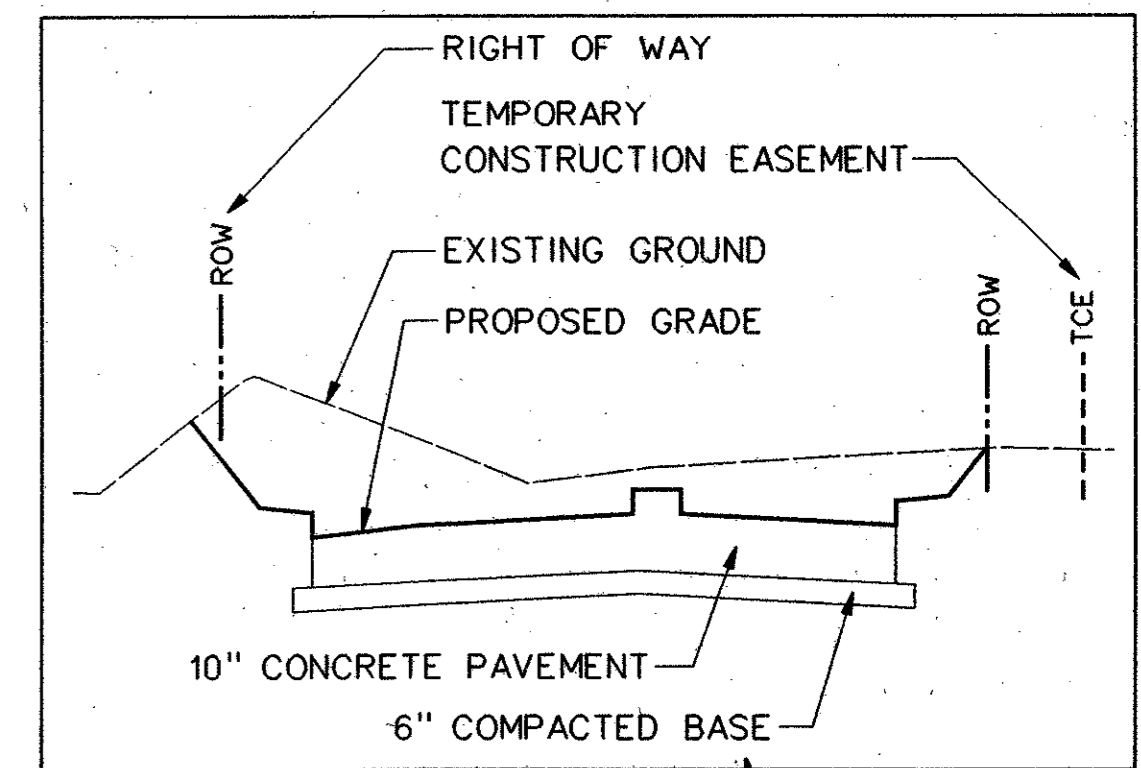


26-JUL-2004 16:06
G:\25768-ph3\1\cads\ar3\xs07.dgn



LEGEND



				130
NO.	DATE	REVISION	APPROV.	
HNTB ARCHITECTS ENGINEERS PLANNERS <i>The HNTB Companies</i>				
ARAPAHO ROAD - PHASE III				
SURVEYOR BOULEVARD TO ADDISON ROAD				
CROSS SECTIONS				
SHEET 7 OF 29				
TOWN OF ADDISON, TEXAS				
Design	JSN	Drawn	GFS	DATE
Check	JDH	Check	JSN	APRIL 04
SCALE	PROJECT NO.	SHEET NO.		
1" = 20' H 1" = 4' V	25768	XS-7		