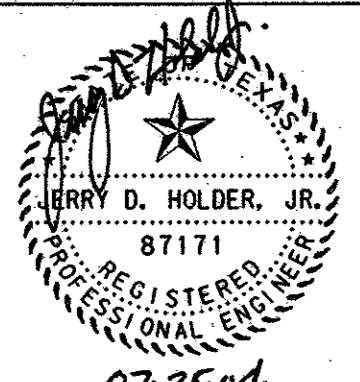
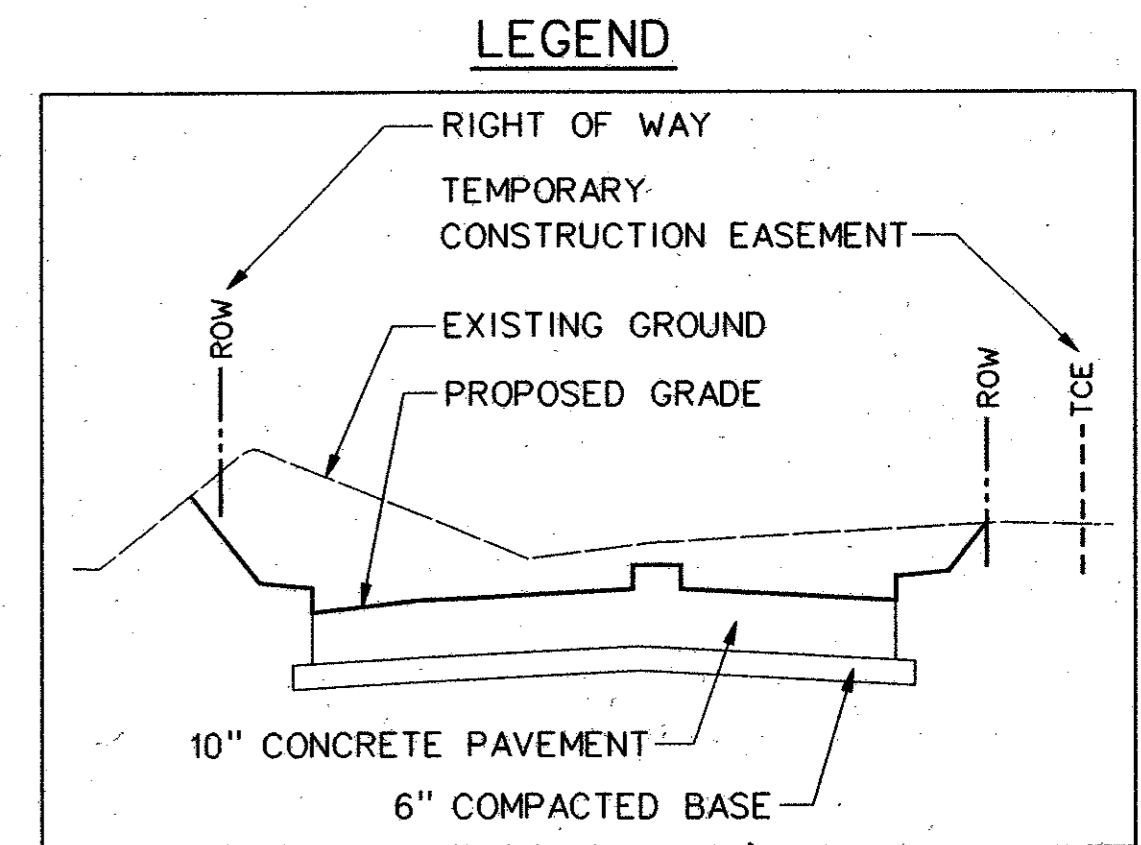
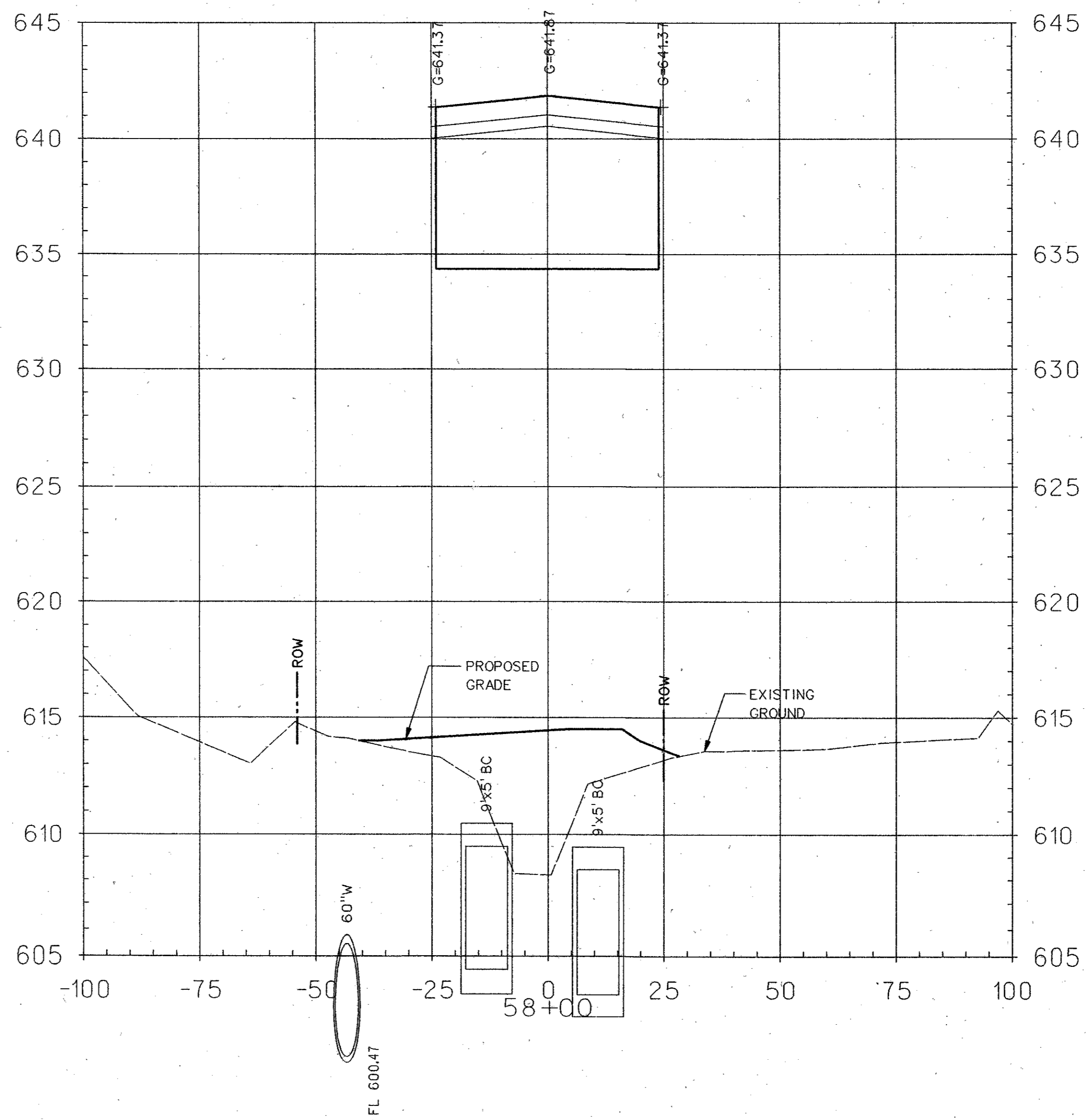
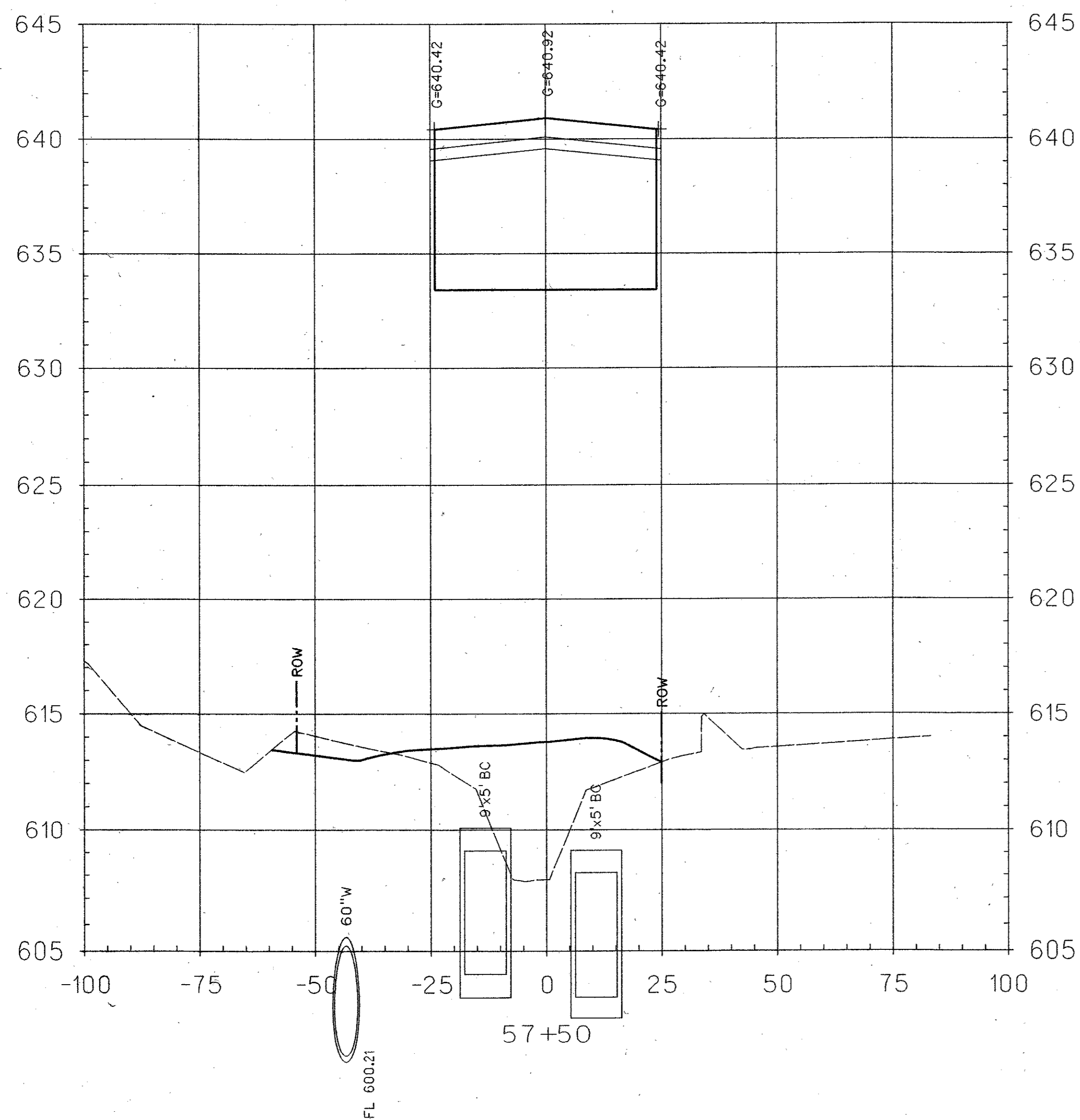


26-JUL-2004 16:07  
G:\25768-ph3\N1\CDs\var3\sl14.dgn



NO.		DATE	REVISION	APPROV.
<b>HNTB</b> ARCHITECTS ENGINEERS PLANNERS <i>The HNTB Companies</i>				
<b>ARAPAHO ROAD - PHASE III</b>				
SURVEYOR BOULEVARD TO ADDISON ROAD				
CROSS SECTIONS				
SHEET 14 OF 29				
TOWN OF ADDISON, TEXAS				
Design	JSN	Drawn	GFS	DATE
Check	JDH	Check	JSN	APRIL 04
SCALE	1" = 20'H	PROJECT NO.	25768	SHEET NO.
	1" = 4'V			XS-14

137