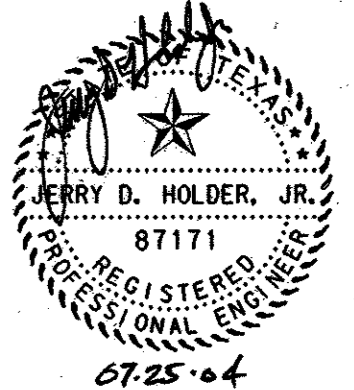
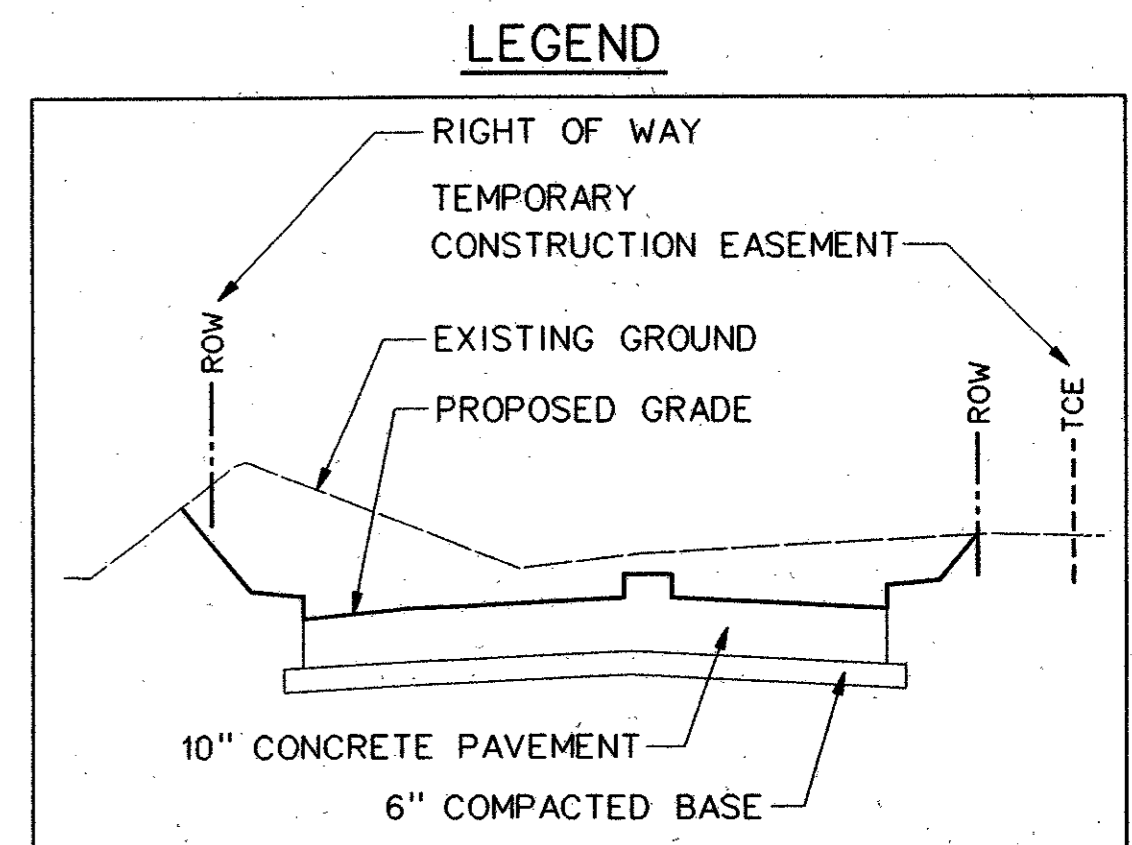
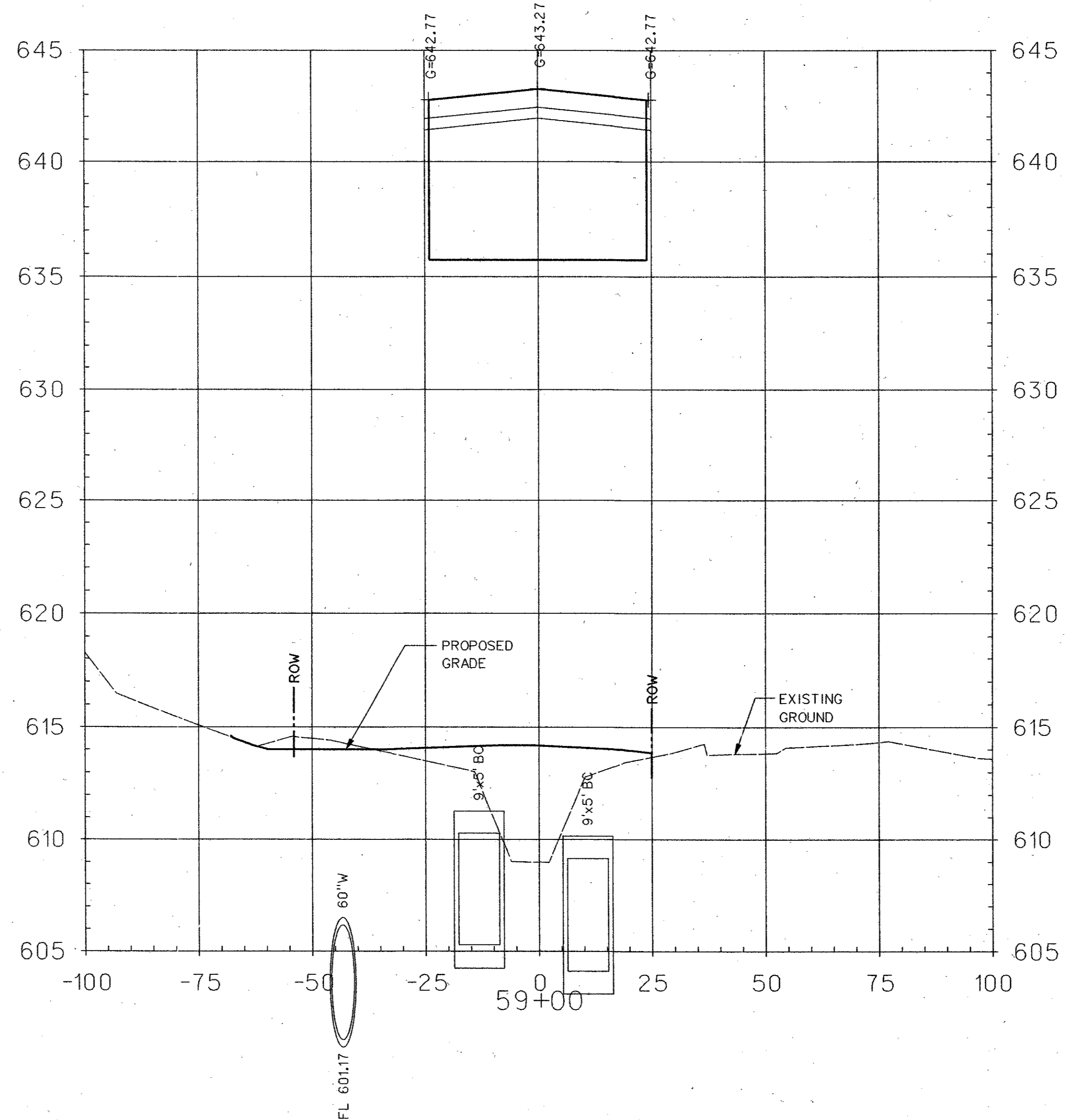
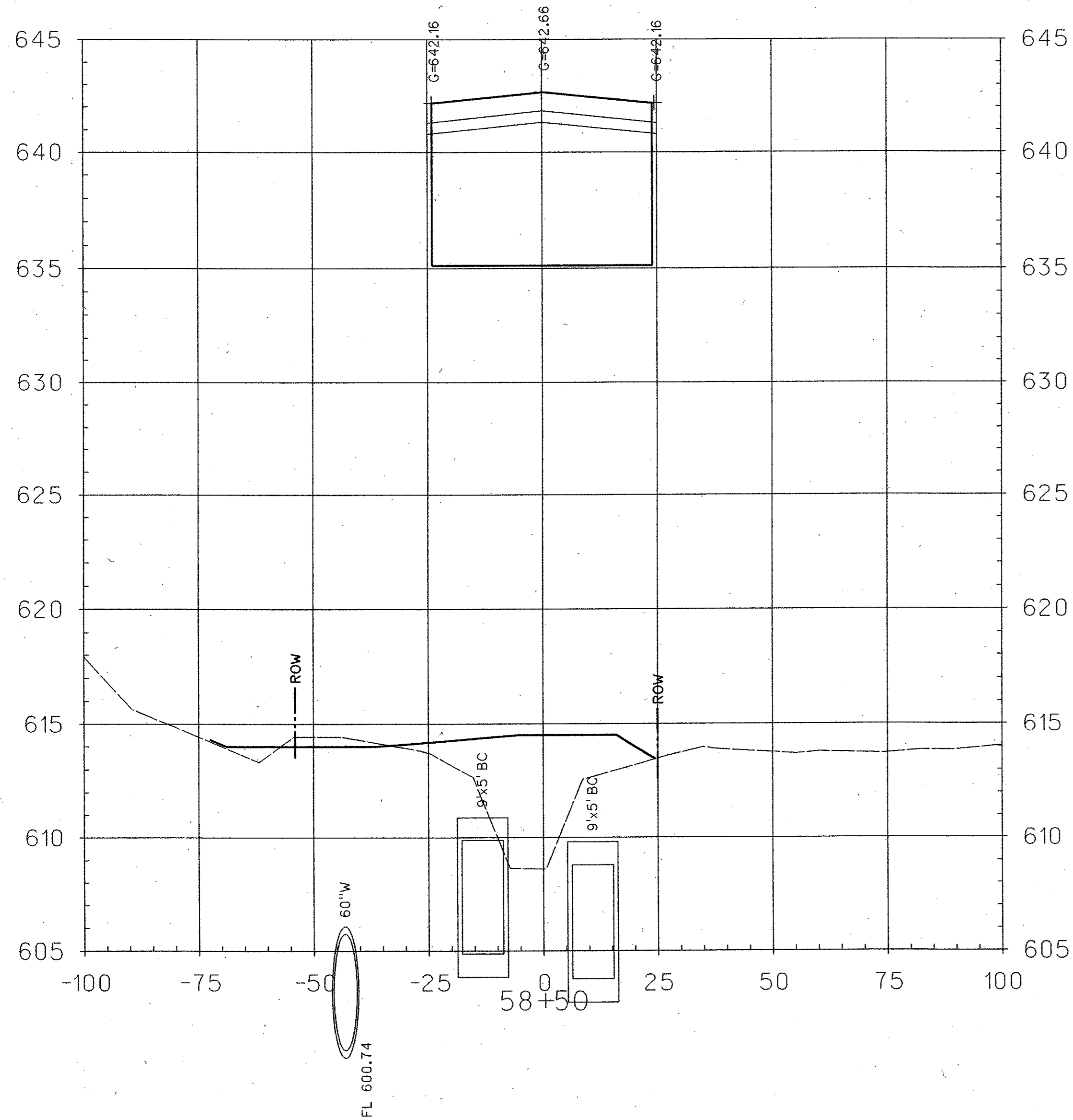


26-JUL-2004 16:07  
 G:\25768-PH3\In\Cds\ar3xs15.dgn



|   |            |                |                                |                   |                 |
|---|------------|----------------|--------------------------------|-------------------|-----------------|
|   |            |                |                                | 138               |                 |
| NO.   | DATE       | REVISION       | APPROV.                        |                   |                 |
| <b>HNTB</b> ARCHITECTS ENGINEERS PLANNERS<br>The HNTB Companies |            |                |                                |                   |                 |
| <b>ARAPAHO ROAD - PHASE III</b>                                 |            |                |                                |                   |                 |
| SURVEYOR BOULEVARD TO ADDISON ROAD                              |            |                |                                |                   |                 |
| CROSS SECTIONS  |            |                |                                |                   |                 |
| SHEET 15 OF 29  |            |                |                                |                   |                 |
| TOWN OF ADDISON, TEXAS  |            |                |                                |                   |                 |
| Design: JSN   | Drawn: GFS | DATE: APRIL 04 | SCALE: 1" = 20' H<br>1" = 4' V | PROJECT NO. 25768 | SHEET NO. XS-15 |
| Check: JDH  | Check: JSN |                |                                |                   |                 |