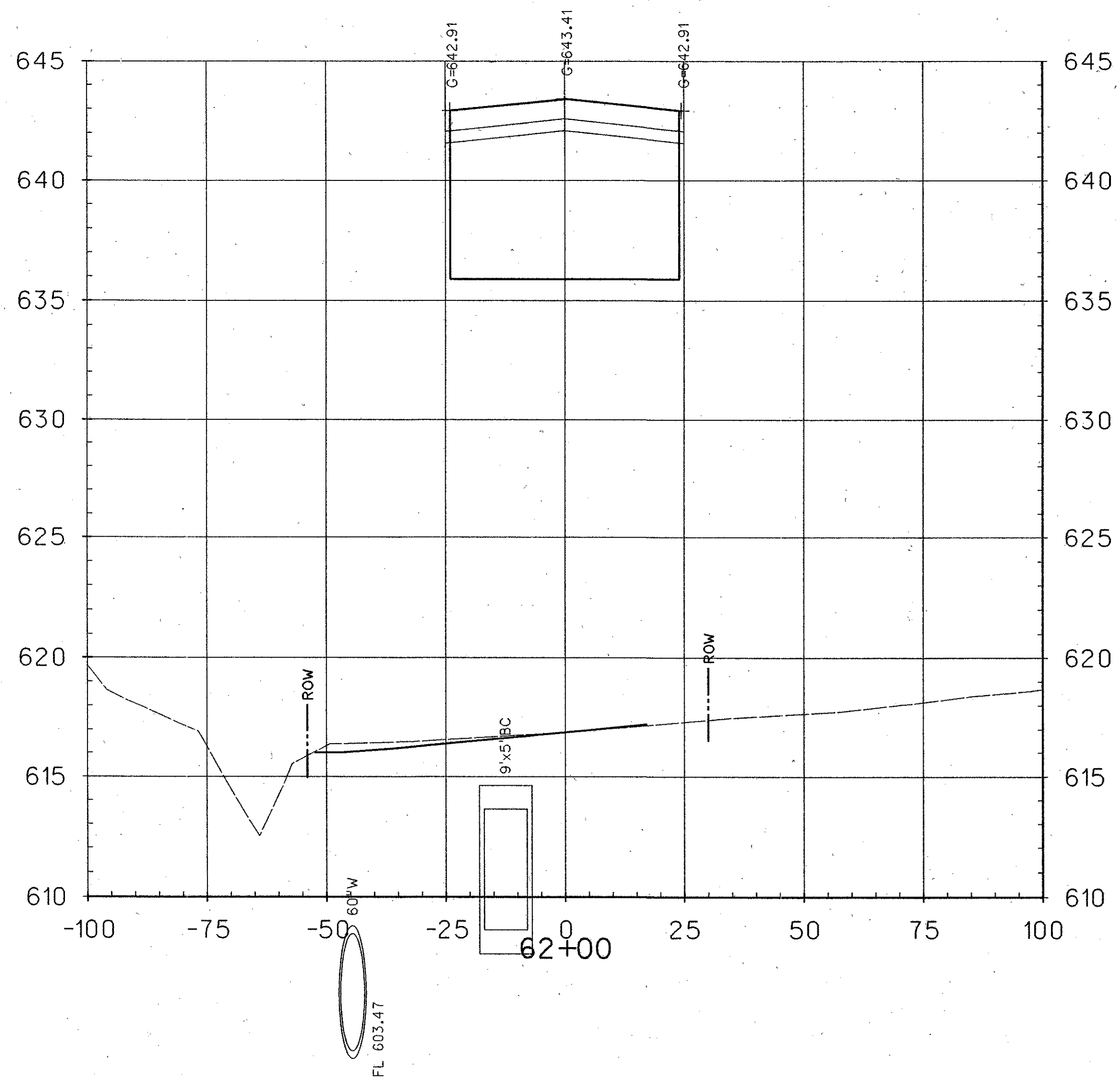
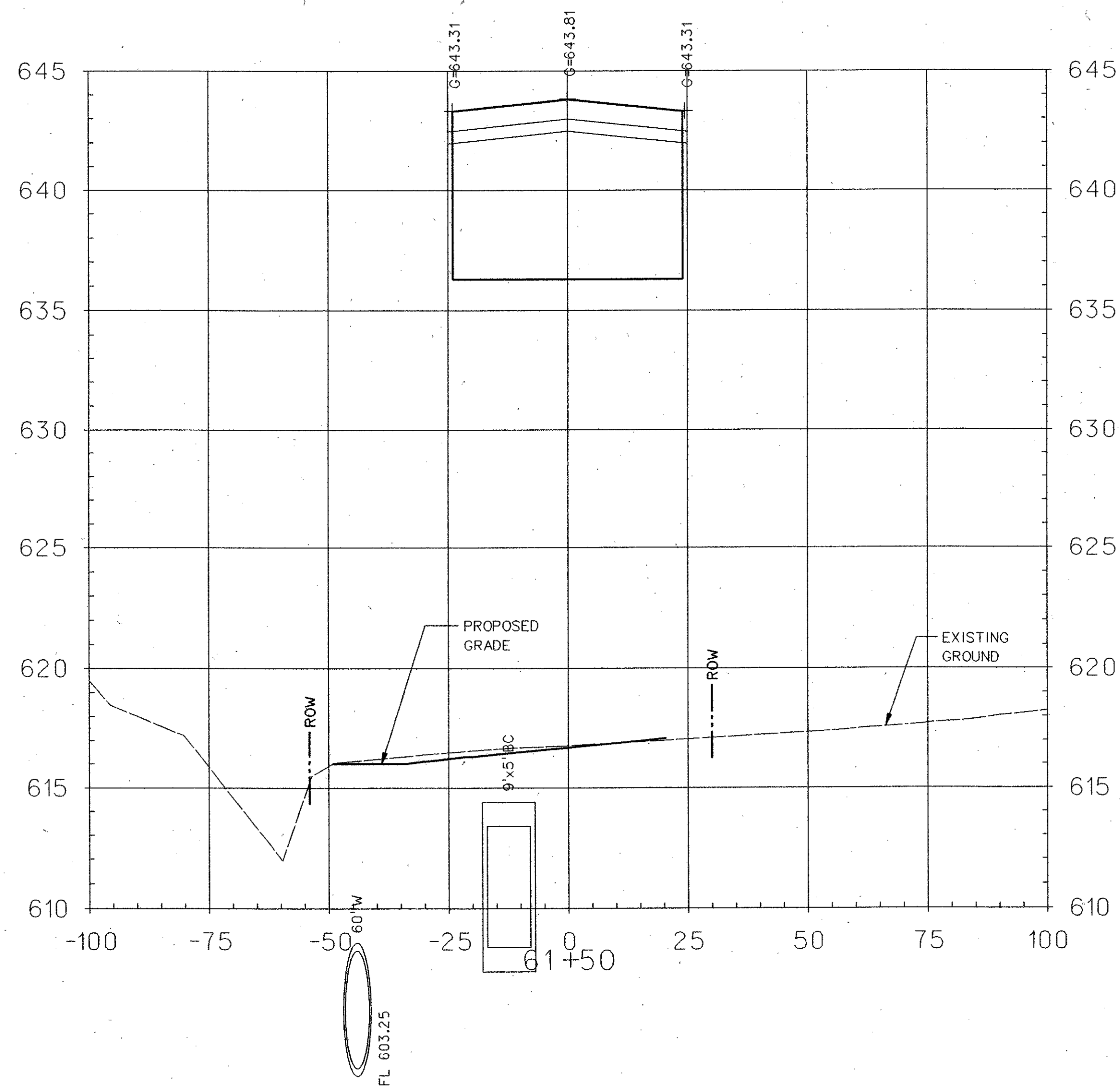
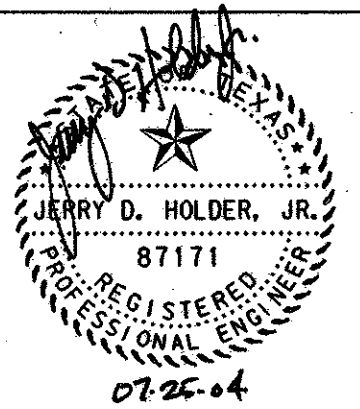
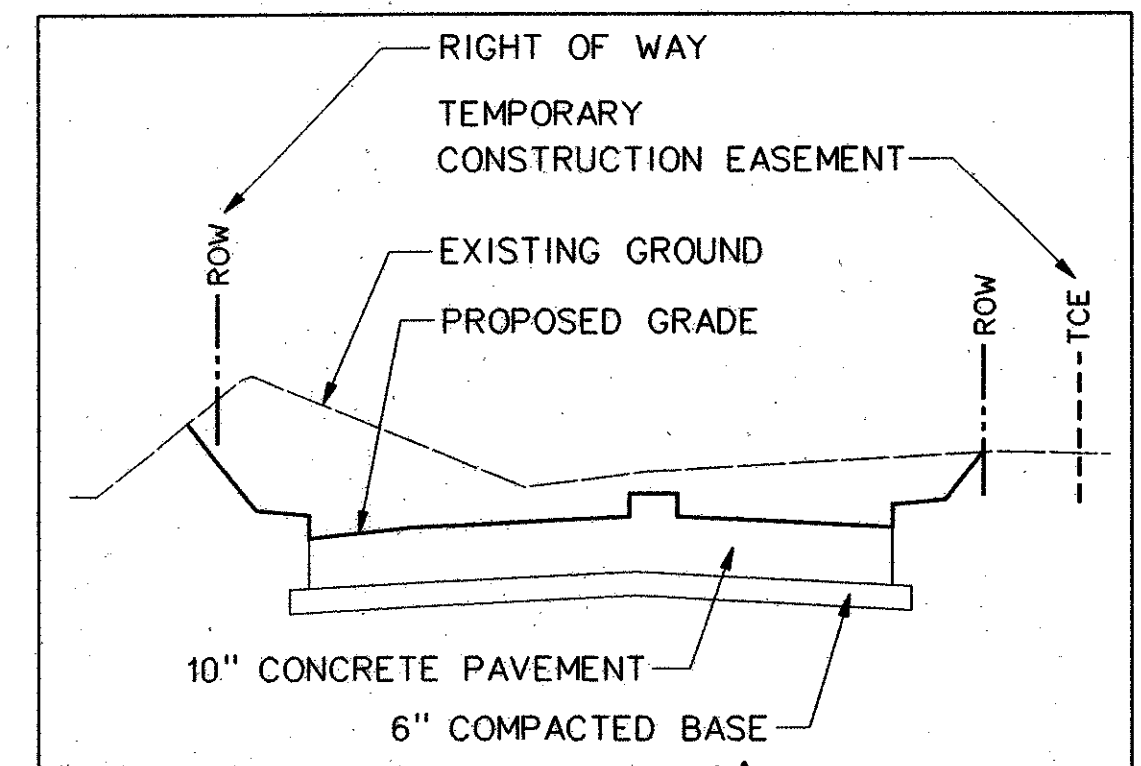


26-JUL-2004 16:33
G:\25768-ph3\m\cads\var3\xs18.dgn



LEGEND



				141
NO.	DATE	REVISION	APPROV.	
HNTB ARCHITECTS ENGINEERS PLANNERS The HNTB Companies				
ARAPAHO ROAD - PHASE III				
SURVEYOR BOULEVARD TO ADDISON ROAD				
CROSS SECTIONS				
SHEET 18 OF 29				
TOWN OF ADDISON, TEXAS				
Design JSN	Drawn GFS	DATE	SCALE	PROJECT NO. SHEET NO.
Check JDH	Check JSN	APRIL 04	1" = 20' H 1" = 4' V	25768 XS-18